

Reference Guide

PSpice

[How to Use This Online Manual](#)

[How to print this online manual](#)

[Welcome](#)

[Overview](#)

[Commands](#)

[Analog devices](#)

[Digital devices](#)

[Customizing device equations](#)

[Glossary](#)

[Index](#)

Copyright © 1985-2000 Cadence Design Systems, Inc. All rights reserved.

Trademarks

Allegro, Ambit, BuildGates, Cadence, Cadence logo, Concept, Diva, Dracula, Gate Ensemble, NC Verilog, OpenBook online documentation library, Orcad, Orcad Capture, PSpice, SourceLink online customer support, SPECCTRA, Spectre, Vampire, Verifault-XL, Verilog, Verilog-XL, and Virtuoso are registered trademarks of Cadence Design Systems, Inc.

Affirma, Assura, Cierto, Envisia, Mercury Plus, Quickturn, Radium, Silicon Ensemble, and SPECCTRAQuest are trademarks of Cadence Design Systems, Inc.

Alanza is a service mark of Cadence Design Systems, Inc.

All other brand and product names mentioned herein are used for identification purposes only and are registered trademarks, trademarks, or service marks of their respective holders.

Second online edition 31 May 2000

Cadence PCB Systems Division (PSD) offices

PSD main office (Portland)	(503) 671-9500
PSD Irvine office	(949) 788-6080
PSD Japan office	81-45-682-5770
PSD UK office	44-1256-381-400
PSD customer support	(877) 237-4911
PSD web site	www.orcad.com
PSD customer support web page	www.orcad.com/technical/technical.asp
PSD customer support email form	www.orcad.com/technical/email_support.asp



Cadence PCB Systems Division
13221 SW 68th Parkway, Suite 200



Contents

How to Use This Online Manual

- How to print this online manual xii
- Welcome xiii
- Overview xiv
 - Typographical conventions xiv
 - Command syntax formats xv
 - Numeric value conventions xvi
 - Numeric expression conventions xvii
- Command line options
 - for Orcad applications xx
 - Command files xx
 - Creating and editing command files xx
 - Log files xxi
 - Editing log files xxii
 - Simulation command line specification format xxiii
 - Simulation command line options xxiv
 - Specifying simulation command line options xxv

Commands

- Command reference
 - for PSpice and PSpice A/D 28
- .AC (AC analysis) 30
- .ALIASES, .ENDALIASES
 - (aliases and endaliases) 31
- .DC (DC analysis) 32
 - Linear sweep 33
 - Logarithmic sweep 33
 - Nested sweep 34
- .DISTRIBUTION (user-defined distribution) 35
 - Deriving updated parameter values 35
 - Usage example 36
- .END (end of circuit) 37
- .EXTERNAL (external port) 38
- .FOUR (Fourier analysis) 39
- .FUNC (function) 40
- .IC (initial bias point condition) 41
- .INC (include file) 42
- .LIB (library file) 43
- .LOADBIAS (load bias point file) 44
- .MC (Monte Carlo analysis) 45
- .MODEL (model definition) 48
 - Parameters for setting temperature 51
 - Model parameters for device temperature 51
 - Examples 51

Special considerations	52
.NODESET (set approximate node voltage for bias point)	53
.NOISE (noise analysis)	54
.OP (bias point)	56
.OPTIONS (analysis options)	57
Flag options	57
Option with a name as its value	58
Numerical options with their default values	59
Options for scheduling changes to runtime parameters	60
PSpice A/D digital simulation condition messages	61
.PARAM (parameter)	63
.PLOT (plot)	64
.PRINT (print)	66
.PROBE (Probe)	67
DC Sweep and transient analysis output variables	68
Multiple-terminal devices	70
AC analysis	72
Noise analysis	74
.SAVEBIAS (save bias point to file)	75
Usage examples	76
.SENS (sensitivity analysis)	78
.STEP (parametric analysis)	79
Usage examples	81
.STIMLIB (stimulus library file)	82
.STIMULUS (stimulus)	83
.SUBCKT (subcircuit)	84
.ENDS (end subcircuit)	84
Usage examples	86
.TEMP (temperature)	87
.TEXT (text parameter)	88
.TF (transfer)	89
.TRAN (transient analysis)	90
Scheduling changes to runtime parameters with the .TRAN statement	91
.VECTOR (digital output)	92
.WATCH (watch analysis results)	94
.WCASE (sensitivity/worst-case analysis)	95
* (comment)	98
;(in-line comment)	99
+(line continuation)	100
Differences between PSpice and Berkeley SPICE2	101

Analog devices

Analog devices	104
Device types	105
Analog device summary	105
GaAsFET	108
Capture parts	109
Setting operating temperature	109
Model parameters	110

- GaAsFET model parameters for all levels 110
- GaAsFET model parameters specific to model levels 111
- Auxiliary model parameters BTRK, DVT, and DVTT 114
- GaAsFET equations 115
 - GaAsFET equations for DC current: all levels 115
 - GaAsFET equations for DC current: specific to model levels 116
 - GaAsFET equations for capacitance 121
 - GaAsFET equations for temperature effect 123
 - GaAsFET equations for noise 124
- References 125
- Capacitor 126
 - Capture parts 127
 - Breakout parts 127
 - Capacitor model parameters 128
 - Capacitor equations 128
 - Capacitor value formula 128
 - Capacitor equation for noise 128
- Diode 129
 - Capture parts 130
 - Setting operating temperature 130
 - Diode model parameters 131
 - Diode equations 132
 - Diode equations for DC current 132
 - Diode equations for capacitance 132
 - Diode equations for noise 133
 - References 133
 - Diode equations for temperature effects 133
- Voltage-controlled voltage source 134
- Voltage-controlled current source 134
 - Basic SPICE polynomial expressions (POLY) 136
 - Basic controlled source properties 136
 - Implementation examples 137
- Current-controlled current source 139
- Current-controlled voltage source 139
 - Basic SPICE polynomial expressions (POLY) 139
- Independent current source & stimulus 140
- Independent voltage source & stimulus 140
 - Independent current source & stimulus (EXP) 142
 - Independent current source and stimulus exponential waveform formulas 142
 - Independent current source & stimulus (PULSE) 143
 - Independent current source and stimulus pulse waveform formulas 144
 - Independent current source & stimulus (PWL) 145
 - Independent current source & stimulus (SFFM) 148
 - Independent current source & stimulus (SIN) 149
 - Independent current source and stimulus sinusoidal waveform formulas 150
- Junction FET 151

- Capture parts 152
 - Setting operating temperature 152
- Model parameters 153
- JFET equations 154
 - JFET equations for DC current 155
 - JFET equations for capacitance 156
 - JFET equations for temperature effects 157
 - JFET equations for noise 157
- Reference 157
- Inductor coupling (and magnetic core) 158
- Transmission line coupling 158
 - Inductor coupling 159
 - Capture parts 161
 - Breakout parts 161
 - Inductor coupling: Jiles-Atherton model 163
 - Inductor coupling model parameters 163
 - Including air-gap effects in the inductor coupling model 164
 - Getting core inductor coupling model values 165
 - Transmission line coupling 165
 - Example 166
 - Lossy lines 166
 - References 167
- Inductor 168
 - Capture parts 169
 - Breakout parts 170
 - Inductor equations 171
 - Inductance value formula 171
 - Inductor equation for noise 171
 - Inductor model parameters 171
- MOSFET 172
 - Capture parts 175
 - Setting operating temperature 175
 - MOSFET model parameters 176
 - For all model levels 176
 - Model levels 1, 2, and 3 176
 - Model level 4 176
 - Model level 5 (EKV version 2.6) 177
 - Model level 6 (BSIM3 version 2.0) 179
 - Model level 7 (BSIM3 version 3.1) 179
 - MOSFET model parameters 182
 - MOSFET Equations 197
 - MOSFET equations for DC current 198
 - MOSFET equations for capacitance 199
 - MOSFET equations for temperature effects 200
 - MOSFET equations for noise 201
 - References 202
- Bipolar transistor 203
 - Capture parts 204
 - Setting operating temperature 204

Bipolar transistor model parameters	205
Distribution of the CJC capacitance	207
Bipolar transistor equations	208
Bipolar transistor equations for DC current	209
Bipolar transistor equations for capacitance	210
Bipolar transistor equations for quasi-saturation effect	211
Bipolar transistor equations for temperature effect	212
Bipolar transistor equations for noise	213
References	213
Resistor	214
Capture parts	214
Breakout parts	215
Resistor model parameters	216
Resistor equations	217
Resistor value formulas	217
Resistor equation for noise	217
Voltage-controlled switch	218
Capture parts	219
Ideal switches	219
Voltage-controlled switch model parameters	219
Special considerations	219
Voltage-controlled switch equations	220
Voltage-controlled switch equations for switch resistance	221
Voltage-controlled switch equation for noise	221
Transmission line	222
Ideal line	223
Lossy line	224
Capture parts	225
Ideal and lossy transmission lines	225
Coupled transmission lines	226
Simulating coupled lines	227
Simulation considerations	227
Transmission line model parameters	228
References	229
Independent voltage source & stimulus	230
Current-controlled switch	231
Capture parts	232
Ideal switches	232
Current-controlled switch model parameters	233
Special considerations	233
Current-controlled switch equations	233
Current-controlled switch equations for switch resistance	234
Current-controlled switch equation for noise	234
Subcircuit instantiation	235
IGBT	236
Capture parts	237
Setting operating temperature	237
IGBT device parameters	238
IGBT model parameters	239

IGBT equations	240
IGBT equations for DC current	241
IGBT equations for capacitance	242
References	243
Digital devices	
Digital device summary	252
Digital primitive summary	253
General digital primitive format	256
Timing models	258
Treatment of unspecified propagation delays	258
Treatment of unspecified timing constraints	259
Gates	260
Standard gates	261
Standard gate timing model parameters	263
Tristate gates	264
Tristate gate types	265
Tristate gate timing model parameters	266
Bidirectional transfer gates	267
Flip-flops and latches	270
Initialization	270
Timing violations	270
Edge-triggered flip-flops	271
Edge-triggered flip-flop timing model parameters	273
Edge-triggered flip-flop truth tables DFF and JKFF	274
Edge-triggered flip-flop truth tables DFFDE and JKFFDE	275
Gated latch	276
Gated latch truth tables	278
Pullup and pulldown	279
Delay line	280
Programmable logic array	281
Read only memory	285
Random access read-write memory	289
Multi-bit A/D and D/A converter	292
Multi-bit analog-to-digital converter	293
Multi-bit digital-to-analog converter	295
Behavioral primitives	297
Logic expression	298
Pin-to-pin delay	301
Constraint checker	310
Stimulus devices	316
Stimulus generator	317
Time units	318
Stimulus generator examples	319
File stimulus	323
Stimulus file format	323
Transition format	324
File stimulus device	325
Input/output model	328

- Input/output model parameters 328
- Digital/analog interface devices 330
 - Digital input (N device) 330
 - Digital input model parameters 331
 - Digital output (O Device) 334
 - Digital output model parameters 334
- Digital model libraries 338
 - 7400-series TTL and CMOS library files 339
 - 4000-series CMOS library 339
 - Programmable array logic devices 340

Customizing device equations

- Introduction to Device Equations 342
- Making device model changes 343
 - Changing a parameter name 344
 - Giving a parameter an alias 344
 - Adding a parameter 344
 - Changing the device equations 345
 - Functional subsections of the device source file 346
 - Adding a new device 347
 - Specifying new internal device structure 348
 - Example 348
 - Procedure 349
- Recompiling and linking the
 - Device Equations option 351
 - Personalizing your DLL 351
- Simulating with the Device Equations option 352
 - Selecting which models to use from a Device Equations DLL 352

Glossary

Index

How to Use This Online Manual

Click this toolbar button or book icon...

To do this...



Go back and forth between pages.



Go back and forth between views.



Go back to the beginning of the section.



Go back to the beginning of the chapter.



Commands

Go to the Commands chapter.
(Other chapters have similar icons.)



Go to the Index.



Go to the Glossary.



Go to the Contents.

How to print this online manual

You can print any portion of this manual, or the entire book, to keep as a printed reference. The pages are designed to print on 8.5"-by-11" paper, with a left margin wide enough to punch holes for use in a binder.

To print this manual

- 1 In Acrobat Reader, from the File menu, choose Print.
- 2 Under Print Range, choose one of the following:
 - All Pages, if you want to print the entire book
 - Current Page, if you want to print the current page only
 - Pages, if you want to print a range of pages (such as a chapter—see the table below)
- 3 Click OK.

To print this chapter...	Print this range of pages...
<u>How to Use This Online Manual</u>	xi to xxv
<u>Commands</u>	27 to 102
<u>Analog devices</u>	103 to 243
<u>Digital devices</u>	251 to 340
<u>Customizing device equations</u>	341 to 352
<u>Glossary</u>	353 to 357
<u>Index</u>	359 to the last page of this manual

Welcome

Orcad family products offer a total solution for your core design tasks: schematic- and VHDL-based design entry; FPGA and CPLD design synthesis; digital, analog, and mixed-signal simulation; and printed circuit board layout. What's more, Orcad family products are a suite of applications built around an engineer's design flow—not just a collection of independently developed point tools. PSpice is just one element in our total solution design flow.



Overview

This manual contains the reference material needed when working with special circuit analyses in PSpice.

Included in this manual are detailed command descriptions, start-up option definitions, and a list of supported devices in the digital and analog device libraries.


This manual has comprehensive reference material for all of the PSpice circuit analysis applications, which include:

- PSpice A/D
- PSpice A/D Basics
- PSpice

This manual assumes that you are familiar with Microsoft Windows (NT, 95, or 98), including how to use icons, menus and dialog boxes. It also assumes you have a basic understanding about how Windows manages applications and files to perform routine tasks, such as starting applications and opening and saving your work. If you are new to Windows, please review your Microsoft Windows User's Guide.

Typographical conventions

This manual generally follows the conventions used in the Microsoft Windows User's Guide. Procedures for performing an operation are generally numbered with the following typographical conventions.

Notation	Examples	Description
monospace font	mydiodes.slb	Library files and file names.
key cap or letter	Press  ...	A specific key or key stroke on the keyboard.
monospace font	Type VAC...	Output produced by a printer and commands/text entered from the keyboard.



Command syntax formats

The following table provides the command syntax formats.

Notation	Examples	Description
monospace font	abcd	User input including keypad symbols, numerals, and alphabetic characters as shown; alphabetic characters are not case sensitive.
<>	<model name>	A required item in a command line. For example, <model name> in a command line means that the model name parameter is required.
<>*	<value>*	The asterisk indicates that the item shown in italics must occur one or more times in the command line.
[]	[AC]	Optional item.
[]*	[value]*	The asterisk indicates that there is zero or more occurrences of the specified subject.
< >	<YES NO>	Specify one of the given choices.
[]	[ON OFF]	Specify zero or one of the given choices.

Numeric value conventions

The numeric value and expression conventions in the following table not only apply to the PSpice [Commands](#), but also to the device declarations and interactive numeric entries described in subsequent chapters.

Literal numeric values are written in standard floating point notation. PSpice applies the default units for the numbers describing the component values and electrical quantities. However, these values can be scaled by following the number using the appropriate scale suffix as shown in the following table.

Scale	Symbol	Name
10^{-15}	F	femto-
10^{-12}	P	pico-
10^{-9}	N	nano-
10^{-6}	U	micro-
$25.4 \cdot 10^{-6}$	MIL	--
10^{-3}	M	milli-
	C	clock cycle*
10^{+3}	K	kilo-
10^{+6}	MEG	mega-
10^{+9}	G	giga-
10^{+12}	T	tera-

* Clock cycle varies and must be set where applicable.

Numeric expression conventions

Numeric values can also be indirectly represented by parameters; see the [.PARAM \(parameter\)](#) command. Numeric values and parameters can be used together to form arithmetic expressions. PSpice expressions can incorporate the intrinsic functions shown in the following table.

The Function column lists expressions that PSpice and PSpice A/D recognize. The Meaning column lists the mathematical definition of the function. There are also some differences between the intrinsic functions available for simulation and those available for waveform analysis. Refer to your PSpice user's guide for more information about waveform analysis.

Function *	Meaning	Comments
ABS(x)	$ x $	
ACOS(x)	arccosine of x	$-1.0 \leq x \leq +1.0$
ARCTAN(x)	$\tan^{-1}(x)$	result in radians
ASIN(x)	arcsine of x	$-1.0 \leq x \leq +1.0$
ATAN(x)	$\tan^{-1}(x)$	result in radians
ATAN2(y,x)	arctan of (y/x)	result in radians
COS(x)	$\cos(x)$	x in radians
COSH(x)	hyperbolic cosine of x	x in radians
DDT(x)	time derivative of x	transient analysis only
EXP(x)	e^x	
IF(t, x, y)	x if t=TRUE y if t=FALSE	t is a Boolean expression that evaluates to TRUE or FALSE and can include logical and relational operators (see Command line options for Orcad applications). X and Y are either numeric values or expressions. For example, {IF (v(1)<THL, v(1), v(1)*v(1)/THL)} Care should be taken in modeling the discontinuity between the IF and ELSE parts, or convergence problems can result.
IMG(x)	imaginary part of x	returns 0.0 for real numbers
LIMIT(x,min,max)		result is min if $x < \min$, max if $x > \max$, and x otherwise
LOG(x)	$\ln(x)$	log base e
LOG10(x)	$\log(x)$	log base 10
M(x)	magnitude of x	this produces the same result as ABS(x)
MAX(x,y)	maximum of x and y	
MIN(x,y)	minimum of x and y	
P(x)	phase of x	returns 0.0 for real numbers

Function *	Meaning	Comments
PWR(x,y)	$ x ^y$ or, $\{x^{**}y\}$	the binary operator ** is interchangeable with PWR(x,y).
PWRS(x,y)	$+ x ^y$ (if $x>0$), $- x ^y$ (if $x<0$)	
R(x)	real part of x	
SCHEDULE (x_1,y_1,x_2,y_2,\dots x_n,y_n)	piecewise constant function: from time x forward use y	Must include an entry for TIME=0. All y values must be legal for the associated parameter. Time (x) values must be ≥ 0 .
SDT(x)	time integral of x	For transient analysis only.
SGN(x)	signum function	
SIN(x)	$\sin(x)$	x in radians
SINH(x)	hyperbolic sine of x	x in radians
STP(x)	1 if $x>0.0$ 0 if $x<0.0$	The unit step function can be used to suppress a value until a given amount of time has passed. For instance, $\{v(1)*STP(TIME-10ns)\}$ gives a value of 0.0 until 10ns has elapsed, then gives v(1).
SQRT(x)	$x^{1/2}$	
TAN(x)	$\tan(x)$	x in radians
TANH(x)	hyperbolic tangent of x	x in radians
TABLE (x,x_1,y_1,x_2,y_2,\dots x_n,y_n)		Result is the y value corresponding to x, when all of the x_n,y_n points are plotted and connected by straight lines. If x is greater than the max x_n , then the value is the y_n associated with the largest x_n . If x is less than the smallest x_n , then the value is the y_n associated with the smallest x_n .

* Most numeric specifications in PSpice allow for arithmetic expressions. Some exceptions do exist and are summarized in your PSpice user's guide. There are also some differences between the intrinsic functions available for simulation and those available for waveform analysis. Refer to your PSpice user's guide for more information about waveform analysis.

Expressions can contain the standard operators as shown in the following table.

Operators	Meaning
arithmetic	
+	addition (or string concatenation)
-	subtraction
*	multiplication
/	division
**	exponentiation
logical	
~	unary NOT
	boolean OR
^	boolean XOR
&	boolean AND
relational (within IF() functions)	
==	equality test
!=	non-equality test
>	greater than test
>=	greater than or equal to test
<	less than test
<=	less than or equal to test

Command line options for Orcad applications

Command files

A command file is an ASCII text file which contains a list of commands to be executed. A command file can be specified in multiple ways:

- at the command line when starting PSpice, Stimulus Editor, or the Model Editor,
- by choosing Run Commands from the File menu and entering a command file name (for PSpice and Stimulus Editor only), or
- at the PROBECMD or STMEDCMD command line, found in the configuration file `pspice.ini`.

The command file is read by the program and all of the commands contained within the file are performed. When the end of the command file is reached, commands are taken from the keyboard and the mouse. If no command file is specified, all of the commands are received from the keyboard and mouse.

The ability to record a set of commands can be useful when using PSpice, the Model Editor, and Stimulus Editor. This is especially useful in PSpice, if you are repeatedly doing the same simulation and looking at the same waveform with only slight changes to the circuit before each run. It can also be used to automatically create hardcopy output at the end of very long (such as overnight) simulation runs.

Creating and editing command files

You can create your own command file using a text editor (such as Notepad). In PSpice and Stimulus Editor, you can choose Log Commands from the File menu (see [Log files](#) for an example) to record a list of transactions in a log file, then choose Run Commands from the File menu to run the logged file.



After you activate cursors (from the Tools menu, choose Cursor), any mouse or keyboard movements that you make for moving the cursor will not be recorded in the command file.

If you choose to create a command file using a text editor, note that the commands in the command file are the same as those available from the keyboard with these differences:

- The name of the command or its first capitalized letter can be used.
- Any line that begins with an `*` is a comment.
- Blank lines are ignored, therefore, they can be added to improve the readability of the command file.
- The commands `@CR`, `@UP`, `@DWN`, `@LEFT`, `@RIGHT`, and `@ESC` are used to represent the `<Enter>`, `<↑>`, `<↓>`, `<←>`, `<→>`, and `<Esc>` keys, respectively.

- The command PAUSE causes PSpice, the Model Editor, or Stimulus Editor to wait until any key on the keyboard is pressed. In the case of PSpice, this can be useful to examine a waveform before the command file draws the next one.

The commands are one to a line in the file, but comment and blank lines can be used to make the file easier to read.

Assuming that a waveform data file has been created by simulating the circuit `example.dsn`, you can manually create a command file (using a text editor) called `example.cmd` which contains the commands listed below. This set of commands draws a waveform, allows you to look at it, and then exits PSpice.

```
* Display trace v(out2) and wait
Trace Add
v(out2)
Pause
* Exit Probe environment
File Exit
```

See [Simulation command line specification format](#) and [Specifying simulation command line options](#) for specifying command files on the simulation command line. See [Simulation command line specification format](#) and [Specifying simulation command line options](#) for details on specifying the `/C` or `-c` option for PSpice.



The Search Commands feature is a Cursor option for positioning the cursor at a particular point. You can learn more about Search Commands by consulting PSpice Help.

Log files

Instead of creating command files by hand, using a text editor, you can generate them automatically by creating a log file while running PSpice, the Model Editor, or Stimulus Editor. While executing the particular package, all of the commands given are saved in the log file. The format of the log file is correct for use as a command file.

To create a `.log` file in PSpice or Stimulus Editor, from the File menu, choose Log Commands and enter a log file name. This turns logging on. Any action taken after starting Log Commands is logged in the named file and can be run in another session by choosing Run Commands.

You can also create a log file for PSpice, Stimulus Editor, or the Model Editor by using the `/l` or `-l` option at the command line. For example:

```
PROBE /L EXAMPLE.LOG
```

Of course, you can use a name for the log file that is more recognizable, such as `acplots.cmd` (to PSpice, the Model Editor, and Stimulus Editor, the file name is any valid file name for your computer).



You can use either `/l` or `-l` as separators, and file names can be in upper or lower case.

Editing log files

After PSpice, the Model Editor, or Stimulus Editor is finished, the log file is available for editing to customize it for use as a command file. You can edit the following items:

- Add blank lines and comments to improve readability (perhaps a title and short discussion of what the file does).
- Add the Pause command for viewing waveforms before proceeding.
- Remove the Exit command from the end of the file, so that PSpice, the Model Editor, and Stimulus Editor do not automatically exit when the end of the command file is reached.

You can add or delete other commands from the file or even change the file name to be more recognizable. It is possible to build onto log files, either by using your text editor to combine files or by running PSpice, the Model Editor, and Stimulus Editor with both a command and log file:

```
PROBE /C IN.CMD /L OUT.LOG
```

The file `in.cmd` gives the command to PSpice, and PSpice saves the (same) commands into the `out.log` file. When `in.cmd` runs out of commands, and PSpice is taking commands from the keyboard, these commands also go into the `out.log` file.

To log commands in PSpice

Use command logging in PSpice to record and save frequently used actions to a command file. Command files are useful when you need to remember the steps taken in order to display a set of waveforms for any given data file.

- 1 From the File menu, choose Log Commands.
- 2 In the Log File Name text box, type `2traces`, then click OK.
A check mark appears next to Log Command to indicate that logging is turned on.
- 3 From the File menu, choose Open.
- 4 Select `example.dat` (located in the examples directory), then click OK.
- 5 From the Trace menu, choose Add.
- 6 Select `V(OUT1)` and `V(OUT2)`, then click OK.
- 7 From the File menu, choose Log Commands to turn command logging off.

The check mark next to the command disappears. Subsequent actions performed are not logged in the command file.

You can view the command file using an ASCII text editor, such as Notepad. Command files can be edited or appended, depending on the types of commands you want to store for future use. The file `2traces.cmd` should look as shown below (with the exception of a different file path).

```
*Command file created by Probe - Wed Apr 17 10:33:55
File Open
/orcad/probe/example.dat
OK
Trace Add
V(OUT1) V(OUT2)
OK
```

To run the command log

- 1 From the File menu, choose Run Command.
- 2 Select `2traces.cmd`, then click OK. The two traces appear.

Simulation command line specification format

The format for specifying command line options for PSpice and PSpice A/D are as follows.

```
pspice [options] [input file(s)]
```

input file

Specifies the name of a circuit file for PSpice or PSpice A/D to simulate after it starts. The input file can be a simulation file (`.sim`, `.cir`, `.net`), data files (`.dat`), output files (`.out`), or any files (`*.*`). PSpice opens any files whose extension PSpice does not recognize as a text file.

You can specify multiple input files, but if the output file or data file options are specified, they apply only to the first specified input file.

The input file name can include wildcard characters (`*` and `?`), in which case all file names matching the specification are simulated.

options

One or more of the options listed in [Simulation command line options](#).

Simulation command line options

Options can be entered using the dash (-) or slash (/) separator.

Option	Description
-bf<flush interval>	Determines how often (in minutes) the simulator will flush the buffers of the waveform data file to disk. This is useful when a long simulation is left running and the machine crashes or is restarted. In this case, the data file will be readable up to the last flush. The default is to flush every 10 minutes. The <flush interval> can be set between 0 and 1440 minutes. A value of zero means not to write unless necessary.
-bn<number of buffers>	Determines the number of buffers to potentially allocate for the waveform data file. Zero buffers means to do all writing directly to disk. Allocating a large number of buffers can speed up a large simulation, but will increase memory requirements. Exceeding physical memory will either slow down the simulation, or will make it fail. The default number of buffers is 4 (1 buffer if you are using the CSDF option).
-bs<buffer size factor>	Determines the size of the individual buffers for writing the waveform data file. Using a larger buffer size can reduce execution time, but at the expense of increasing the memory requirements. The values for the buffer files work as follows: option: -bs0 -bs1 -bs2 -bs3 -bs4 -bs5 -bs6 value: 256 512 1024 2048 4096 8192 16384 The default is 4K (8K if you are using CSDF).
-c <file name>	Specifies the command file, which runs the session until the command file ends or PSpice stops.
-d <data file>	Specifies the name of the waveform data file to which PSpice saves the waveform data from the simulation. By default, the name of the waveform data file is the name of the input file with a .dat extension.
-e	Exits PSpice after all specified files have been simulated. This option replaces the -wONLY option.
-i <ini file name>	Specifies the name of an alternate initialization file. If not specified, the simulator uses: \windows\pspice.ini
-l <file name>	Creates a log file, which saves the commands from this session. This log file can later be used as an input command file for PSpice.
-o <output file>	Specifies the output file to which PSpice saves the simulation output. By default, the name of the output file name defaults to the name of the input file with an .out extension.

Option	Description
-p <file name>	Specifies a file that contains goal functions for Performance Analysis, macro definitions, and display configurations. This file is loaded after the global .prb file (specified in the .ini file by the line PRBFILE=pspice.prb), and the local .prb file (<file name>.prb), have been loaded. Definitions in this file will replace definitions from the global or local .prb files that have already been loaded.
-r	Runs simulation files. If this option is not specified, the specified files are opened but not simulated.
-t <temp directory name>	Specifies a directory where PSpice can write temporary files. This option replaces the -wTEMP option.

Specifying simulation command line options

Using the pspice.ini configuration file

You can customize your initialization file to include command line options by editing the PSPICECMDLINE line in the file `pspice.ini`, using any ASCII text editor, such as Notepad. These options take effect the next time PSpice A/D starts.

The command line options can be separated by spaces or in a continuous string, therefore:

```
-c makeplot.cmd -p newamp.prb
-cmakeplot.cmd-pnewamp.prb
```

are equivalent. The order of the options does not matter.

The command line options that use <file name> assume default extensions. These command line options can be used without specifying the extension to <file name>. For example:

```
-c makeplot -p newamp
-c makeplot.cmd -p newamp.prb
```

are equivalent. However, PSpice searches first for the exact <file name> specified for these command line options, and if that <file name> exists, PSpice uses it. If the exact <file name> does not exist, PSpice adds default extensions to <file name> and searches for those. The following default extensions are used:

<file name[.dat]>	waveform data file
-c<file name[.cmd]>	command file
-l<file name[.log]>	log file
-p<file name[.prb]>	displays, goal functions, and macros file



You can learn more about PSpice macros by consulting PSpice Help.



Commands

standard analyses

[.AC \(AC analysis\)](#) [.OP \(bias point\)](#)
[.DC \(DC analysis\)](#) [.SENS \(sensitivity analysis\)](#)
[.FOUR \(Fourier analysis\)](#) [.TF \(transfer\)](#)
[.NOISE \(noise analysis\)](#) [.TRAN \(transient analysis\)](#)

output control

[.PLOT \(plot\)](#) [.VECTOR \(digital output\)](#)
[.PRINT \(print\)](#) [.WATCH \(watch analysis results\)](#)
[.PROBE \(Probe\)](#)

simple multi-run analyses

[.STEP \(parametric analysis\)](#) [.TEMP \(temperature\)](#)

circuit file processing

[.END \(end of circuit\)](#) [.LIB \(library file\)](#)
[.FUNC \(function\)](#) [.PARAM \(parameter\)](#)
[.INC \(include file\)](#)

statistical analyses

[.MC \(Monte Carlo analysis\)](#) [.WCASE \(sensitivity/worst-case analysis\)](#)

device modeling

[.ENDS \(end subcircuit\)](#) [.MODEL \(model definition\)](#)
[.DISTRIBUTION \(user-defined distribution](#) [.SUBCKT \(subcircuit\)](#)
[\)](#)

initial conditions

[.IC \(initial bias point condition\)](#) [.NODESET \(set approximate node voltage for](#)
[.LOADBIAS \(load bias point file\)](#) [bias point\)](#)
[.SAVEBIAS \(save bias point to file\)](#)

miscellaneous

[.ALIASSES, .ENDALIASSES \(aliases and](#) [.STIMULUS \(stimulus\)](#)
[endaliases\)](#) [.TEXT \(text parameter\)](#)
[.EXTERNAL \(external port\)](#) [* \(comment\)](#)
[.OPTIONS \(analysis options\)](#) [:\(in-line comment\)](#)
[.STIMLIB \(stimulus library file\)](#) [+\(line continuation\)](#)



Analog devices



Digital devices



Device equations



Glossary



Command reference for PSpice and PSpice A/D

Schematics users enter analysis specifications through the Analysis Setup dialog box (from the Analysis menu, select Setup).

Function	PSpice command	Description
standard analyses	<u>.AC (AC analysis)</u> <u>.DC (DC analysis)</u> <u>.FOUR (Fourier analysis)</u> <u>.NOISE (noise analysis)</u> <u>.OP (bias point)</u> <u>.SENS (sensitivity analysis)</u> <u>.TF (transfer)</u> <u>.TRAN (transient analysis)</u>	frequency response DC sweep Fourier components noise bias point DC sensitivity small-signal DC transfer function transient
simple multi-run analyses	<u>.STEP (parametric analysis)</u> <u>.TEMP (temperature)</u>	parametric temperature
statistical analyses	<u>.MC (Monte Carlo analysis)</u> <u>.WCASE (sensitivity/worst-case analysis)</u>	Monte Carlo sensitivity/worst-case
initial conditions	<u>.IC (initial bias point condition)</u> <u>.LOADBIAS (load bias point file)</u> <u>.NODESET (set approximate node voltage for bias point)</u> <u>.SAVEBIAS (save bias point to file)</u>	clamp node voltage for bias point calculation to restore a .NODESET bias point to suggest a node voltage for bias calculation to store .NODESET bias point information
device modeling	<u>.ENDS (end subcircuit)</u> <u>.DISTRIBUTION (user-defined distribution)</u> <u>.MODEL (model definition)</u> <u>.SUBCKT (subcircuit)</u>	end of subcircuit definition model parameter tolerance distribution modeled device definition to start subcircuit definition
output control	<u>.PLOT (plot)</u> <u>.PRINT (print)</u> <u>.PROBE (Probe)</u> <u>.VECTOR (digital output)</u> <u>.WATCH (watch analysis results)</u>	to send an analysis plot to output file (line printer format) to send an analysis table to output file to send simulation results to Probe data file digital state output view numerical simulation results in progress

Function	PSpice command	Description
circuit file processing	<u>.END (end of circuit)</u>	end of circuit simulation description
	<u>.FUNC (function)</u>	expression function definition
	<u>.INC (include file)</u>	include specified file
	<u>.LIB (library file)</u>	reference specified library
	<u>.PARAM (parameter)</u>	parameter definition
miscellaneous	<u>.ALIASES, .ENDALIASES (aliases and endaliases)</u>	to begin and end an alias definition
	<u>.EXTERNAL (external port)</u>	to identify nets representing the outermost (or peripheral) connections to the circuit being simulated
	<u>.OPTIONS (analysis options)</u>	to set miscellaneous simulation limits, analysis control parameters, and output characters
	<u>.STIMLIB (stimulus library file)</u>	to specify a stimulus library name containing .STIMULUS information
	<u>.STIMULUS (stimulus)</u>	stimulus device definition
	<u>.TEXT (text parameter)</u>	text expression, parameter, or file name used by digital devices
	<u>* (comment)</u>	to create a comment line
	<u>;(in-line comment)</u>	to add an in-line comment
	<u>+(line continuation)</u>	to continue the text of the previous line

.AC (AC analysis)

Purpose The .AC command calculates the frequency response of a circuit over a range of frequencies.

General form .AC <sweep type> <points value>
+ <start frequency value> <end frequency value>

Examples

```
.AC LIN 101 100Hz 200Hz
.AC OCT 10 1kHz 16kHz
.AC DEC 20 1MEG 100MEG
```

Arguments and options

<sweep type>
Must be LIN, OCT, or DEC, as described below.

Parameter	Description	Description
LIN	linear sweep	The frequency is swept linearly from the starting to the ending frequency. The <points value> is the total number of points in the sweep.
OCT	sweep by octaves	The frequency is swept logarithmically by octaves. The <points value> is the number of points per octave.
DEC	sweep by decades	The frequency is swept logarithmically by decades. The <points value> is the number of points per decade.

<points value>
Specifies the number of points in the sweep, using an integer.

<start frequency value> <end frequency value>
The end frequency value must not be less than the start frequency value, and both must be greater than zero. The whole sweep must include at least one point. If a group delay (G suffix) is specified as an output, the frequency steps must be close enough together that the phase of that output changes smoothly from one frequency to the next. Calculate group delay by subtracting the phases of successive outputs and dividing by the frequency increment.

Comments A [.PRINT \(print\)](#), [.PLOT \(plot\)](#), or [.PROBE \(Probe\)](#) command must be used to get the results of the AC sweep analysis.

AC analysis is a linear analysis. The simulator calculates the frequency response by linearizing the circuit around the bias point.

All independent voltage and current sources that have AC values are inputs to the circuit. During AC analysis, the only independent sources that have nonzero amplitudes are those using AC specifications. The SIN specification does not count, as it is used only during transient analysis.

To analyze nonlinear functions such as mixers, frequency doublers, and AGC, use [.TRAN \(transient analysis\)](#).

.ALIASES, .ENDALIASES

(aliases and endaliases)

Purpose The Alias commands set up equivalences between node names and pin names, so that traces in the Probe display can be identified by naming a device and pin instead of a node. They are also used to associate a net name with a node name.

General form

```
.ALIASES
<device name> <device alias> (<<pin>=<node>>)
_ (<<net>=<node>>)
.ENDALIASES
```

Examples

```
.ALIASES
R_RBIAS RBIAS (1=$N_0001 2=VDD)
Q_Q3 Q3 (c=$N_0001 b=$N_0001 e=VEE)
_ (OUT=$N_0007)
.ENDALIASES
```

The first alias definition shown in the example allows the name RBIAS to be used as an alias for R_RBIAS, and it relates pin 1 of device R_RBIAS to node \$N_0001 and pin 2 to VDD.

The last alias definition equates net name OUT to node name \$N_0007.

.DC (DC analysis)

Purpose The .DC command performs a linear, logarithmic, or nested DC sweep analysis on the circuit. The DC sweep analysis calculates the circuit's bias point over a range of values for <sweep variable name>.

Sweep type The sweep can be linear, logarithmic, or a list of values.

Parameter	Description	Meaning
LIN	linear sweep	The sweep variable is swept linearly from the starting to the ending value.
OCT	sweep by octaves	Sweep by octaves. The sweep variable is swept logarithmically by octaves.
DEC	sweep by decades	Sweep by decades. The sweep variable is swept logarithmically by decades.
LIST	list of values	Use a list of values.

Linear sweep

General form `.DC [LIN] <sweep variable name>`
 `+ <start value> <end value> <increment value>`
 `+ [nested sweep specification]`

Examples `.DC VIN -.25 .25 .05`
 `.DC LIN I2 5mA -2mA 0.1mA`
 `.DC VCE 0V 10V .5V IB 0mA 1mA 50uA`
 `.DC RES RMOD(R) 0.9 1.1 .001`

Arguments and options

<start value>

Can be greater or less than <end value>: that is, the sweep can go in either direction.

<increment value>

The step size. This value must be greater than zero.

Comments The sweep variable is swept linearly from the starting to the ending value.
 The keyword LIN is optional.

Logarithmic sweep

General form `.DC <logarithmic sweep type> <sweep variable name>`
 `+ <start value> <end value> <points value>`
 `+ [nested sweep specification]`

Examples `.DC DEC NPN QFAST(IS) 1E-18 1E-14 5`

Arguments and options

<logarithmic sweep type>

Must be specified as either DEC (to sweep by decades) or OCT (to sweep by octaves).

<start value>

Must be positive and less than <end value>.

<points value>

The number of steps per octave or per decade in the sweep. This value must be an integer.

Comments Either OCT or DEC must be specified for the <logarithmic sweep type>.

Nested sweep

General form `.DC <sweep variable name> LIST <value>*`
 `+ [nested sweep specification]`

Examples `.DC TEMP LIST 0 20 27 50 80 100 PARAM Vsupply 7.5 15 .5`

Arguments and options

<sweep variable name>

After the DC sweep is finished, the value associated with <sweep variable name> is set back to the value it had before the sweep started. The following items can be used as sweep variables in a DC sweep:

Parameter	Description	Meaning
Source	A name of an independent voltage or current source.	During the sweep, the source's voltage or current is set to the sweep value.
Model Parameter	A model type and model name followed by a model parameter name in parenthesis.	The parameter in the model is set to the sweep value. The following model parameters cannot be (usefully) swept: L and W for the MOSFET device (use LD and WD as a work around), and any temperature parameters, such as TC1 and TC2 for the resistor.
Temperature	Use the keyword TEMP for <sweep variable name>.	Set the temperature to the sweep value. For each value in the sweep, all the circuit components have their model parameters updated to that temperature.
Global Parameter	Use the keyword PARAM, followed by the parameter name, for <sweep variable name>.	During the sweep, the global parameter's value is set to the sweep value and all expressions are reevaluated.

Comments

For a nested sweep, a second sweep variable, sweep type, start, end, and increment values can be placed after the first sweep. In the nested sweep example, the first sweep is the inner loop: the entire first sweep is performed for each value of the second sweep.

When using a list of values, there are no start and end values. Instead, the numbers that follow the keyword LIST are the values that the sweep variable is set to.

The rules for the values in the second sweep are the same as for the first. The second sweep generates an entire **.PRINT (print)** table or **.PLOT (plot)** plot for each value of the sweep. Probe displays nested sweeps as a family of curves.



.DISTRIBUTION (user-defined distribution)

Purpose The .DISTRIBUTION command defines a user distribution for tolerances, and is only used with Monte Carlo and sensitivity/worst-case analyses. The curve described by a .DISTRIBUTION command controls the relative probability distribution of random numbers generated by PSpice to calculate model parameter deviations.

General form DISTRIBUTION <name> (<deviation> <probability>)*

Examples

```
.DISTRIBUTION bi_modal (-1,1) (-.5,1) (-.5,0) (.5,0)
+ (.5,1) (1,1)

.DISTRIBUTION triangular (-1,0) (0,1) (1,0)
```

Arguments and options

(<deviation> <probability>)

Defines the distribution curve by pairs, or corner points, in a piecewise linear fashion. You can specify up to 100 value pairs.

<deviation>

Must be in the range (-1,+1), which matches the range of the random number generator. No <deviation> can be less than the previous <deviation> in the list, although it can repeat the previous value.

<probability>

Represents a relative probability, and must be positive or zero.

Comments

When using Schematics, several distributions can be defined by configuring an include file containing the .DISTRIBUTION command. For details on how to do this, refer to your PSpice user's guide.

If you are not using Schematics, a user-defined distribution can be specified as the default by setting the DISTRIBUTION parameter in the [.OPTIONS \(analysis options\)](#) command.

Deriving updated parameter values

The updated value of a parameter is derived from a combination of a random number, the distribution, and the tolerance specified. This method permits distributions which have different excursions in the positive and negative directions. It also allows the use of one distribution even if the tolerances of the components are different so long as the general shape of the distributions are the same.

- 1 Generate a <temporary random number> in the range (0, 1).
- 2 Normalize the area under the specified distribution.
- 3 Set the <final random number> to the point where the area under the normalized distribution equals the <temporary random number>.
- 4 Multiply this <final random number> by the specified tolerance.

Usage example

To illustrate, assume there is a 1.0 μ fd capacitor that has a variation of -50% to +25%, and another that has tolerances of -10% to +5%. Note that both capacitors' tolerances are in the same general shape, i.e., both have negative excursions twice as large as their positive excursions.

```
.distribution cdistrib (-1,1) (.5, 1) (.5, 0) (1, 0)
c1 1 0 cmod 11u
c2 1 0 cmod2 1u
.model cmod1 cap (c=1 dev/cdistrib 50%)
.model cmod2 cap (c=1 dev/cdistrib 10%)
```

The steps taken for this example are as follows:

- 1 Generate a <temporary random value> of 0.3.
- 2 Normalize the area under the `cdistrib` distribution (1.5) to 1.0.
- 3 The <final random number> is therefore -0.55 (the point where the normalized area equals 0.3).
- 4 For `c1`, this -0.55 is then scaled by 50%, resulting in -0.275; for `c2`, it is scaled by 10%, resulting in -0.055.



Separate random numbers are generated for each parameter that has a tolerance unless a tracking number is specified.



.END (end of circuit)

Purpose The .END command marks the end of the circuit. All the data and every other command must come before it. When the .END command is reached, PSpice does all the specified analyses on the circuit.

General form .END

Examples

```
* 1st circuit in file
... circuit definition
.END
* 2nd circuit in file
... circuit definition
.END
```

Comments There can be more than one circuit in an input file. Each circuit is marked by an .END command. PSpice processes all the analyses for each circuit before going on to the next one.

Everything is reset at the beginning of each circuit. Having several circuits in one file gives the same results as having them in separate files and running each one separately. However, all the simulation results go into one .OUT file and one .DAT file. This is a convenient way to arrange a set of runs for overnight operation.



The last statement in an input file must be an .END command.

.EXTERNAL (external port)

Purpose External ports are provided as a means of identifying and distinguishing those nets representing the outermost (or peripheral), connections to the circuit being simulated. The external port statement `.EXTERNAL` applies only to nodes that have digital devices attached to them.

General form `.EXTERNAL <attribute> <node-name>*`

Examples

```
.EXTERNAL INPUT Data1, Data2, Data3
.EXTERNAL OUTPUT P1
.EXTERNAL BIDIRECTIONAL BPort1 BPort2 BPort3
```

Arguments and options

`<attribute>`

One of the keywords `INPUT`, `OUTPUT`, or `BIDIRECTIONAL`, describing the usage of the port.

`<node_name>`

One or more valid PSpice A/D node names.

Comments

When a node is included in a `.EXTERNAL` statement it is identified as a primary observation point. For example, if you are modeling and simulating a PCB-level description, you could place an `.EXTERNAL` (or its Capture symbol counterparts) on the edge pin nets to describe the pin as the external interface point of the network.

PSpice recognizes the nets marked as `.EXTERNAL` when reporting any sort of timing violation. When a timing violation occurs, PSpice analyzes the conditions that would permit the effects of such a condition to propagate through the circuit. If, during this analysis, a net marked external is encountered, PSpice reports the condition as a Persistent Hazard, signifying that it has a potential effect on the externally visible behavior of the circuit. For more information on Persistent Hazards, refer to your PSpice user's guide.

Port specifications are inserted in the netlist by Capture whenever an external port symbol, `EXTERNAL_IN`, `EXTERNAL_OUT`, or `EXTERNAL_BI` is used. Refer to your PSpice user's guide for more information.

.FOUR (Fourier analysis)

Purpose Fourier analysis decomposes the results of a transient analysis into Fourier components.

General form `.FOUR <frequency value> [no. harmonics value] <output variable>`

Examples

```
.FOUR 10kHz V(5) V(6,7) I(VSENS3)
.FOUR 60Hz 20 V(17)
.FOUR 10kHz V([OUT1],[OUT2])
```

Arguments and options

<output variable>

An output variable of the same form as in a [.PRINT \(print\)](#) command or [.PLOT \(plot\)](#) command for a transient analysis.

<frequency value>

The fundamental frequency. Not all of the transient results are used, only the interval from the end, back to $1/\text{<frequency value>}$ before the end is used. This means that the transient analysis must be at least $1/\text{<frequency value>}$ seconds long.

Comments

The analysis results are obtained by performing a Fourier integral on the results from a transient analysis. The analysis must be supplied with specified output variables using evenly spaced time points. The time interval used is <print step value> in the [.TRAN \(transient analysis\)](#) command, or 1% of the <final time value> (TSTOP) if smaller, and a 2nd-order polynomial interpolation is used to calculate the output value used in the integration. The DC component, the fundamental, and the 2nd through 9th harmonics of the selected voltages and currents are calculated by default, although more harmonics can be specified.

A .FOUR command requires a .TRAN command, but Fourier analysis does not require .PRINT, .PLOT, or [.PROBE \(Probe\)](#) commands. The tabulated results are written to the output file (.out) as the transient analysis is completed.



The results of the .FOUR command are only available in the output file. They cannot be viewed in Probe.

.FUNC (function)

Purpose The .FUNC command defines functions used in expressions. Besides their obvious flexibility, they are useful for where there are several similar subexpressions in a circuit file.

General form .FUNC <name> ([arg]*) {<body>}

Examples

```
.FUNC E(x) {exp(x)}
.FUNC DECAY(CNST) {E(-CNST*TIME)}
.FUNC TRIWAV(x) {ACOS(COS(x))/3.14159}
.FUNC MIN3(A,B,C) {MIN(A,MIN(B,C))}
```

Arguments and options

.FUNC

Does not have to precede the first use of the function name. Functions cannot be redefined and the function name must not be the same as any of the predefined functions (e.g., SIN and SQRT). See [How to Use This Online Manual](#) for a list of valid expressions. .FUNC arguments cannot be node names.

<body>

Refers to other (previously defined) functions; the second example, DECAY, uses the first example, E.

[arg]

Specifies up to 10 arguments in a definition. The number of arguments in the use of a function must agree with the number in the definition. Functions can be defined as having no arguments, but the parentheses are still required. Parameters, TIME, other functions, and the Laplace variable *s* are allowed in the body of function definitions.

Comments

The <body> of a defined function is handled in the same way as any math expression; it is enclosed in curly braces {}. Previous versions of PSpice did not require this, so for compatibility the <body> can be read without braces, but a warning is generated.



Creating a file of frequently used .FUNC definitions and accessing them using an .INC command near the beginning of the circuit file can be helpful. .FUNC commands can also be defined in subcircuits. In those cases they only have local scope.

.IC (initial bias point condition)

Purpose The .IC command sets initial conditions for both small-signal and transient bias points. Initial conditions can be given for some or all of the circuit's nodes.

.IC sets the initial conditions for the bias point only. It does not affect a [.DC \(DC analysis\)](#) sweep.

General form .IC < V(<node> [,<node>])=<value> >*
.IC < I(<inductor>)=<value>>*

Examples .IC V(2)=3.4 V(102)=0 V(3)=-1V I(L1)=2uAmp
.IC V(InPlus,InMinus)=1e-3 V(100,133)=5.0V

Arguments and options

<value>

A voltage assigned to <node> (or a current assigned to an inductor) for the duration of the bias point calculation.

Comments

The voltage between two nodes and the current through an inductor can be specified. During bias calculations, PSpice clamps the voltages to specified values by attaching a voltage source with a 0.0002 ohm series resistor between the specified nodes. After the bias point has been calculated and the transient analysis started, the node is released.

If the circuit contains both the .IC command and [.NODESET \(set approximate node voltage for bias point\)](#) command for the same node or inductor, the .NODESET command is ignored (.IC overrides .NODESET).

Refer to your PSpice user's guide for more information on setting initial conditions.



An .IC command that imposes nonzero voltages on inductors cannot work properly, since inductors are assumed to be short circuits for bias point calculations. However, inductor currents can be initialized.

.INC (include file)

Purpose The .INC command inserts the contents of another file.

General form .INC <file name>

Examples
.INC "SETUP.CIR"
.INC "C:\LIB\VCO.CIR"

Arguments and options

<file name>

Any character string that is a valid file name for your computer system.

Comments

Including a file is the same as bringing the file's text into the circuit file. Everything in the included file is actually read in. The comments of the included file are then treated just as if they were found in the parent file.

Included files can contain any valid PSpice statements, with the following conditions:

- The included files should not contain title lines unless they are commented.
- Included files can be nested up to 4 levels.



Every model and subcircuit definition, even if not needed, takes up memory.

.LIB (library file)

Purpose The .LIB command references a model or subcircuit library in another file.

General form .LIB [file_name]

Examples

```
.LIB
.LIB linear.lib
.LIB "C:\lib\bipolar.lib"
```

Arguments and options

[file_name]

Any character string that is a valid file name for the computer system.

Comments Library files can contain any combination of the following:

- comments
- **.MODEL (model definition)** commands
- subcircuit definitions (including the **.ENDS (end subcircuit)** command)
- **.PARAM (parameter)** commands
- **.FUNC (function)** commands
- .LIB commands

No other statements are allowed. For further discussion of library files, refer to your PSpice user's guide.

If [file_name] is left off, all references point to the master library file, `nom.lib`. When a library file is referenced in Schematics, PSpice first searches for the file in the current working directory, then searches in the directory specified by the LIBPATH variable (set in `msim.ini`).

When any library is modified, PSpice creates an index file based on the first use of the library. The index file is organized so that PSpice can find a particular **.MODEL** or **.SUBCKT (subcircuit)** quickly, despite the size of the library file.



The index files have to be regenerated each time the library is changed. Because of this, it is advantageous to configure separately any frequently changed libraries.

`nom.lib` normally contains references to all parts in the Orcad Standard Model Library. You can edit `nom.lib` to include your custom model references.

.LOADBIAS (load bias point file)

Purpose The .LOADBIAS command loads the contents of a bias point file. It is helpful in setting initial bias conditions for subsequent simulations. However, the use of .LOADBIAS does not guarantee convergence.

General form .LOADBIAS <file name>

Examples
.LOADBIAS "SAVETRAN.NOD"
.LOADBIAS "C:\PROJECT\INIT.FIL"

Arguments and options

<file name>

Any character string which is a valid computer system file name, but it must be enclosed in quotation marks.

Comments Normally, the bias point file is produced by a previous circuit simulation using the [.SAVEBIAS \(save bias point to file\)](#) command.

The bias point file is a text file that contains one or more comment lines and a [.NODESET \(set approximate node voltage for bias point\)](#) command setting the bias point voltage or inductor current values. If a fixed value for a transient analysis bias point needs to be set, this file can be edited to replace the .NODESET command with an [.IC \(initial bias point condition\)](#) command.



Any nodes mentioned in the loaded file that are not present in the circuit are ignored, and a warning message will be generated.

To echo the .LOADBIAS file contents to the output file, use the EXPAND option on the [.OPTIONS \(analysis options\)](#) command.

.MC (Monte Carlo analysis)

Purpose The .MC command causes a Monte Carlo (statistical) analysis of the circuit and causes PSpice to perform multiple runs of the selected analysis (DC, AC, or transient).

General form .MC <#runs value> <analysis> <output variable> <function> [option]*
+ [SEED=value]

Examples

```
.MC 10 TRAN V(5) YMAX
.MC 50 DC IC(Q7) YMAX LIST
.MC 20 AC VP(13,5) YMAX LIST OUTPUT ALL
.MC 10 TRAN V([OUT1],[OUT2]) YMAX SEED=9321
```

Arguments and options

<#runs value>

The total number of runs to be performed (for printed results the upper limit is 2,000, and for results to be viewed in Probe, the limit is 400).

<analysis>

Specifies at least one analysis type: **.DC (DC analysis)**, **.AC (AC analysis)**, or **.TRAN (transient analysis)**. This analysis is repeated in subsequent passes. All analyses that the circuit contains are performed during the nominal pass. Only the selected analysis is performed during subsequent passes.

<output variable>

Identical in format to that of a **.PRINT (print)** output variable.

<function>

Specifies the operation to be performed on the values of <output variable> to reduce these to a single value. This value is the basis for the comparisons between the nominal and subsequent runs. The <function> can be any one of the following:

Function	Definition
YMAX	Find the absolute value of the greatest difference in each waveform from the nominal run.
MAX	Find the maximum value of each waveform.
MIN	Find the minimum value of each waveform.
RISE_EDGE(<value>)	Find the first occurrence of the waveform crossing above the threshold <value>. The waveform must have one or more points at or below <value> followed by one above; the output value listed is the first point that the waveform increases above <value>.
FALL_EDGE(<value>)	Find the first occurrence of the waveform crossing below the threshold <value>. The waveform must have one or more points at or above <value> followed by one below; the output value listed is where the waveform decreases below <value>.



<function> and all [option]s (except for <output type>) have no effect on the Probe data that is saved from the simulation. They are only applicable to the output file.

[option]*

Can include zero or more of the following options:

Option	Definition	Example
LIST	Lists, at the beginning of each run, the model parameter values actually used for each component during that run.	
OUTPUT <output type>	Asks for an output from subsequent runs, after the nominal (first) run. The output from any run is governed by a .PRINT, .PLOT, and .PROBE command in the file. If OUTPUT is omitted, then only the nominal run produces output. The <output type> is one of the ones shown in the examples to the right.	ALL forces all output to be generated (including the nominal run). FIRST <N> generates output only during the first n runs. EVERY <N> generates output every nth run. RUNS <N>* does analysis and generates output only for the listed runs. Up to 25 values can be specified in the list.
RANGE* (<low value>, <high value>)	Restricts the range over which <function> is evaluated. An asterisk (*) can be used in place of a <value> to show for all values.	YMAX RANGE(*,.5) YMAX is evaluated for values of the sweep variable (e.g., time and frequency) of .5 or less. MAX RANGE(-1,*) The maximum of the output variable is found for values of the sweep variable of -1 or more.

* If RANGE is omitted, then <function> is evaluated over the whole sweep range. This is equivalent to RANGE(*,*).

[SEED=value]

Defines the seed for the random number generator within the Monte Carlo analysis (The Art of Computer Programming, Donald Knuth, vol. 2, pg. 171, “subtractive method”).

<value>

Must be an odd integer ranging from 1 to 32,767. If the seed value is not set, its default value is 17,533.



For almost all analyses, the default seed value is adequate to achieve a constant set of results. The seed value can be modified within the integer value as required.

Comments

The first run uses nominal values of all components. Subsequent runs use variations on model parameters as specified by the DEV and LOT tolerances on each **.MODEL (model definition)** parameter.

The other specifications on the .MC command control the output generated by the Monte Carlo analysis.

For more information on Monte Carlo analysis, refer to your PSpice user's guide.



.MODEL (model definition)

Purpose The .MODEL command defines a set of device parameters that can be referenced by devices in the circuit.

General form .MODEL <model name> [AKO: <reference model name>]
 + <model type>
 + ([[<parameter name> = <value> [tolerance specification]]*
 + [T_MEASURED=<value>] [[T_ABS=<value>] or
 + [T_REL_GLOBAL=<value>] or [T_REL_LOCAL=<value>]])

Examples

```
.MODEL RMAX RES (R=1.5 TC1=.02 TC2=.005)
.MODEL DNOM D (IS=1E-9)
.MODEL QDRIV NPN (IS=1E-7 BF=30)
.MODEL MLOAD NMOS(LEVEL=1 VTO=.7 CJ=.02pF)
.MODEL CMOD CAP (C=1 DEV 5%)
.MODEL DLOAD D (IS=1E-9 DEV .5% LOT 10%)
.MODEL RTRACK RES (R=1 DEV/GAUSS 1% LOT/UNIFORM 5%)
.MODEL QDR2 AKO:QDRIV NPN (BF=50 IKF=50m)
```

Arguments and options

<model name>

The model name which is used to reference a particular model.

<reference model name>

The model types of the current model and the AKO (A Kind Of) reference model must be the same. The value of each parameter of the referenced model is used unless overridden by the current model, e.g., for QDR2 in the last example, the value of IS derives from QDRIV, but the values of BF and IKF come from the current definition. Parameter values or formulas are transferred, but not the tolerance specification. The referenced model can be in the main circuit file, accessed through a .INC command, or it can be in a library file; see [.LIB \(library file\)](#).

<model type>

Must be one of the types outlined in the table that follows.

Devices can only reference models of a corresponding type; for example:

- A JFET can reference a model of types NJF or PJF, but not of type NPN.
- There can be more than one model of the same type in a circuit, although they must have different names.

Following the <model type> is a list of parameter values enclosed by parentheses. None, any, or all of the parameters can be assigned values. Default values are used for all unassigned parameters. The lists of parameter names, meanings, and default values are found in the individual device descriptions.

Model type	Instance name	Type of device
CAP	Cxxx	capacitor
CORE	Kxxx	nonlinear, magnetic core (transformer)
D	Dxxx	diode
DINPUT	Nxxx	digital input device (receive from digital)
DOUTPUT	Oxxx	digital output device (transmit to digital)
GASFET	Bxxx	N-channel GaAs MESFET
IND	Lxxx	inductor
ISWITCH	Wxxx	current-controlled switch
LPNP	Qxxx	lateral PNP bipolar transistor
NIGBT	Zxxx	N-channel insulated gate bipolar transistor (IGBT)
NJF	Jxxx	N-channel junction FET
NMOS	Mxxx	N-channel MOSFET
NPN	Qxxx	NPN bipolar transistor
PJF	Jxxx	P-channel junction FET
PMOS	Mxxx	P-channel MOSFET
PNP	Qxxx	PNP bipolar transistor
RES	Rxxx	resistor
TRN	Txxx	lossy transmission line
UADC	Uxxx	multi-bit analog-to-digital converter
UDAC	Uxxx	multi-bit digital-to-analog converter
UDLY	Uxxx	digital delay line
UEFF	Uxxx	edge-triggered flip-flop
UGATE	Uxxx	standard gate
UGFF	Uxxx	gated flip-flop
UIO	Uxxx	digital I/O model
UTGATE	Uxxx	tristate gate
VSWITCH	Sxxx	voltage-controlled switch

[tolerance specification]

Appended to each parameter, using the format:

[DEV [track&dist] <value>[%]] [LOT [track&dist] <value>[%]]

to specify an individual device (DEV) and the device lot (LOT) parameter value deviations. The tolerance specification is used by the [.MC \(Monte Carlo analysis\)](#) analysis only.

The LOT tolerance requires that all devices that refer to the same model use the same adjustments to the model parameter. DEV tolerances are independent, that is each device varies independently. The % shows a relative (percentage) tolerance. If it is omitted, <value> is in the same units as the parameter itself.

[track & dist]

Specifies the tracking and non-default distribution, using the format:

[/<lot #>][/<distribution name>].

These specifications must immediately follow the keywords DEV and LOT (without spaces) and are separated by /.

<lot #>

Specifies which of ten random number generators, numbered 0 through 9, are used to calculate parameter value deviations. This allows deviations to be correlated between parameters in the same model, as well as between models. The generators for DEV and LOT tolerances are distinct: there are ten generators for DEV tracking and ten generators for LOT tracking. Tolerances without <lot #> are assigned individually generated random numbers.

<distribution name>

The distribution name is one of the following. The default distribution can be set by using the DISTRIBUTION parameter of the [.OPTIONS \(analysis options\)](#) command.

Distribution name	Function
UNIFORM	Generates uniformly distributed deviations over the range \pm <value>.
GAUSS	Generates deviations using a Gaussian distribution over the range $\pm 3\sigma$ and <value> specifies the $\pm 1\sigma$ deviation (i.e., this generates deviations greater than \pm <value>).
<user name>	Generates deviations using a user-defined distribution and <value> specifies the ± 1 deviation in the user definition; see the .DISTRIBUTION (user-defined distribution) .

Comments

The examples are for the .MODEL parameter. The last example uses the AKO syntax to reference the parameters of the model QDRIV in the third example.

For more information, refer to your PSpice user's guide.

Parameters for setting temperature

Some passive and semiconductor devices (C, L, R, B, D, J, M, and Q) have two levels of temperature attributes that can be customized on a model-by-model basis.

First, the temperature at which the model parameters were measured can be defined by using one of the following model parameter formats in the .MODEL command line:

```
T_MEASURED = <literal value>
T_MEASURED = { <parameter> }
```

This overrides the nominal TNOM value which is set in the [.OPTIONS \(analysis options\)](#) command line (default = 27°C). All other parameters listed in the .MODEL command are assumed to have been measured at T_MEASURED.

In addition to the measured model parameter temperature, current device temperatures can be customized to override the circuit's global temperature specification defined by the [.TEMP \(temperature\)](#) command line (or equivalent .STEP TEMP or .DC TEMP). There are three forms, as described below.

Model parameters for device temperature

Description	.MODEL format	Parameter format	Referencing device temperature
absolute temperature	standard	T_ABS=<value>	T_ABS
relative to current temperature	standard	T_REL_GLOBAL=<value>	global temperature + T_REL_GLOBAL
relative to AKO model temperature	AKO	T_REL_LOCAL=<value>	T_ABS(AKO Model) + T_REL_LOCAL

For all formats, <value> can be a literal value or a parameter of the form {<parameter name>}. A maximum of one device temperature customization can coexist using the T_MEASURED customization. For example,

```
.MODEL PNP_NEW PNP( T_ABS=35 T_MEASURED=0 BF=90 )
```

defines a new model PNP_NEW, where BF was measured at 0°C. Any bipolar transistor referencing this model has an absolute device temperature of 35°C.

Examples

One This example demonstrates device temperatures set relative to the global temperature of the circuit:

```
.TEMP 10 30 40
.MODEL PNP_NEW PNP( T_REL_GLOBAL=-5 BF=90 )
```

This produces three PSpice runs where global temperature changes from 10° to 30° to 40°C, respectively, and any bipolar transistor that references the PNP_NEW model has a device temperature of 5°, 25°, or 35°C, respectively.

Two This example sets the device temperature relative to a referenced AKO model:

```
.MODEL PNP_NEW PNP( AKO:PNP_OLD T_REL_LOCAL=10)
.MODEL PNP_OLD PNP( T_ABS=20)
```

Any bipolar transistor referencing the PNP_NEW model has a device temperature of 30°C.

Special considerations

There are a few special considerations when using these temperature parameters:

- If the technique for current device temperature is using the value relative to an AKO model's absolute temperature (T_ABS), and the AKO referenced model does not specify T_ABS, then the T_REL_LOCAL specification is ignored and the standard global temperature specification is used.
- These temperature parameters cannot be used with the DEV and LOT model parameter tolerance feature.
- A DC sweep analysis can be performed on these parameters so long as the temperature parameter assignment is to a variable parameter. For example:

```
.PARAM PTEMP 27
.MODEL PNP_NEW PNP ( T_ABS={PTEMP} )
.DC PARAM PTEMP 27 35 1
```

This method produces a single DC sweep in PSpice where any bipolar transistor referencing the PNP_NEW model has a device temperature which is swept from 27°C to 35°C in 1°C increments.

A similar effect can be obtained by performing a parametric analysis. For instance:

```
.PARAM PTEMP 27
.MODEL PNP_NEW PNP( T_ABS={PTEMP} )
.STEP PARAM PTEMP 27 35 1
```

This method produces nine PSpice runs where the PNP_NEW model temperature steps from 27°C to 35°C in increments of 1°C, one step per run.

- The effect of a temperature parameter is evaluated once prior to the bias point calculation, unless parameters are swept by means of a .DC PARAM or .STEP PARAM analysis described above. In these cases, the temperature parameter's effect is reevaluated once for each value of the swept variable.



.NODESET (set approximate node voltage for bias point)

Purpose The .NODESET command helps calculate the bias point by providing an initial best guess for some node voltages and/or inductor currents. Some or all of the circuit's node voltages and inductor currents can be given the initial guess, and in addition, the voltage between two nodes can be specified.

General form `.NODESET < V(<node> [,<node>])=<value> >*`
`.NODESET < I(<inductor>)=<value>>`

Examples `.NODESET V(2)=3.4 V(102)=0 V(3)=-1V I(L1)=2uAmp`
`.NODESET V(InPlus,InMinus)=1e-3 V(100,133)=5.0V`

Comments This command is effective for the bias point (both small-signal and transient bias points) and for the first step of the DC sweep. It has no effect during the rest of the DC sweep, nor during a transient analysis.

Unlike the [.IC \(initial bias point condition\)](#) command, .NODESET provides only an initial guess for some initial values. It does not clamp those nodes to the specified voltages. However, by providing an initial guess, .NODESET can be used to break the tie in, for instance, a flip-flop, and make it come up in a required state.

If both the .IC command and .NODESET command are present, the .NODESET command is ignored for the bias point calculations (.IC overrides .NODESET).



For Capture-based designs, refer to your PSpice user's guide for more information on setting initial conditions.

.NOISE (noise analysis)

Purpose The .NOISE command performs a noise analysis of the circuit.

General form .NOISE V(<node> [,<node>]) <name> [interval value]

Examples

```
.NOISE V(5) VIN
.NOISE V(101) VSRC 20
.NOISE V(4,5) ISRC
.NOISE V([OUT1],[OUT2]) V1
```

Arguments and options

V(<node> [,<node>])

Output voltage. It has a form such as V(5), which is the voltage at the output node five, or a form such as V(4,5), which is the output voltage between two nodes four and five.

<name>

The name of an independent voltage or current source where the equivalent input noise is calculated. The <name> is not itself a noise generator, but only a place where the equivalent input noise is calculated.

[interval value]

Integer that specifies how often the detailed noise analysis data is written to the output file.

Comments

A noise analysis is performed in conjunction with an AC sweep analysis and requires an [.AC \(AC analysis\)](#) command. When .NOISE is used, noise data is recorded in the Probe .DAT file for each frequency in the AC sweep.

The simulator computes:

- Device noise for every resistor and semiconductor in the circuit (propagated to a specified output node)
- Total input and output noise

At each frequency, each noise generator's contribution is calculated and propagated to the output node. At that point, all the propagated noise values are RMS-summed to calculate the total output noise. The gain from the input source to the output voltage, the total output noise, and the equivalent input noise are all calculated.

For more information, refer to the AC Analyses chapter of your PSpice user's guide.

If:

<name> is a voltage source

then:

the input noise units are volt/hertz^{1/2}

If:

<name> is a current source

then:

the input noise units are amp/hertz^{1/2}

The output noise units are always volt/hertz^{1/2}.

Every nth frequency, where n is the print interval, a detailed table is printed showing the individual contributions of all the circuit's noise generators to the total noise. These values are the noise amounts propagated to the output node, not the noise amounts at each generator. If [interval value] is not present, then no detailed table is printed.

The detailed table is printed while the analysis is being performed and does not need a **.PRINT (print)** command or a **.PLOT (plot)** command. The output noise and equivalent input noise can be printed in the output by using a .PRINT command or a .PLOT command.



.OP (bias point)

Purpose The .OP command causes detailed information about the bias point to be printed.

General form .OP

Examples .OP

Comments This command does not write output to the Probe data file. The bias point is calculated regardless of whether there is a .OP command. Without the .OP command, the only information about the bias point in the output is a list of the node voltages, voltage source currents, and total power dissipation.

Using a .OP command can cause the small-signal (linearized) parameters of all the nonlinear controlled sources and all the semiconductor devices to be printed in the output file.

The .OP command controls the output for the regular bias point only. The [.TRAN \(transient analysis\)](#) command controls the output for the transient analysis bias point.



If no other analysis is performed, then no Probe data file is created.

.OPTIONS (analysis options)

Purpose The .OPTIONS command is used to set all the options, limits, and control parameters for the simulator.

General form .OPTIONS [option name]* [<option name>=<value>]*

Examples

```
.OPTIONS NOECHO NOMOD DEFL=12u DEFW=8u DEFAD=150p
+ DEFAS=150p
.OPTIONS ACCT RELTOL=.01
.OPTIONS DISTRIBUTION=GAUSS
.OPTIONS DISTRIBUTION=USERDEF1
```

Comments The options can be listed in any order. There are two kinds of options: those with values, and those without values. Options without values are flags that are activated by simply listing the option name.

The .OPTIONS command is cumulative. That is, if there are two (or more) of the .OPTIONS command, the effect is the same as if all the options were listed together in one .OPTIONS command. If the same option is listed more than once, only its last value is used.

For SPICE options not available in PSpice, see [Differences between PSpice and Berkeley SPICE2](#).

Flag options

The default for any flag option is off or no (i.e., the opposite of specifying the option). Flag options affect the output file unless otherwise specified.

Flag option	Meaning
ACCT	Summary and accounting information is printed at the end of all the analyses (refer to your PSpice user's guide for further information on ACCT).
EXPAND	Lists devices created by subcircuit expansion and lists contents of the bias point file; see .SAVEBIAS (save bias point to file) and .LOADBIAS (load bias point file) .
LIBRARY	Lists lines used from library files.
LIST	Lists a summary of the circuit elements (devices).
NOBIAS	Suppresses the printing of the bias point node voltages.
NODE	Lists a summary of the connections (node table).
NOECHO	Suppresses a listing of the input file(s).

Flag option (continued)	Meaning (continued)
NOICTRANSLATE	Suppresses the translation of initial conditions (IC attributes) specified on capacitors and inductors into .IC statements (IC pseudocomponents). This means that IC attributes are ignored if the keyword Skip Bias Point (SKIPBP) is not put at the end of the .TRAN statement. See .TRAN (transient analysis) .
NOMOD	Suppresses listing of model parameters and temperature updated values.
NOOUTMSG	Suppresses simulation error messages in output file.
NOPAGE	Suppresses paging and the banner for each major section of output.
NOPRBMSG	Suppresses simulation error messages in Probe data file.
NOREUSE	Suppresses the automatic saving and restoring of bias point information between different temperatures, Monte Carlo runs, worst-case runs, and .STEP (parametric analysis) . See also .SAVEBIAS (save bias point to file) and .LOADBIAS (load bias point file) .
OPTS	Lists values for all options.
STEPGMIN	Enables GMIN stepping. This causes a GMIN stepping algorithm to be applied to circuits that fail to converge. GMIN stepping is applied first, and if that fails, the simulator falls back to supply stepping.

Option with a name as its value

The following option has a name as its value.

Option	Meaning	Default
DISTRIBUTION	default distribution for Monte Carlo deviations	UNIFORM

Default distribution values

The default distribution is used for all of the deviations throughout the Monte Carlo analyses, unless specifically overridden for a particular tolerance. The default value for the default distribution is UNIFORM, but can also be set to GAUSS or to a user-defined (<user name>) distribution. If a user-defined distribution is selected (as illustrated in the last example on page [1-57](#)), a [.DISTRIBUTION \(user-defined distribution\)](#) command must be included in the circuit file to define the user distribution for the tolerances. An example would be:

```
.DISTRIBUTION USERDEF1 (-1,1) (.5,1) (.5,0) (1,0)
```

```
.OPTIONS DISTRIBUTION=USERDEF1
```

Numerical options with their default values

Options	Description	Units	Default
ABSTOL****	best accuracy of currents	amp	1.0 pA
CHGTOL	best accuracy of charges	coulomb	0.01 pC
CPTIME*	CPU time allowed for this run	sec	0.0**
DEFAD	MOSFET default drain area (AD).	meter ²	0.0
DEFAS	MOSFET default source area (AS).	meter ²	0.0
DEFL	MOSFET default length (L).	meter	100.0 u
DEFW	MOSFET default width (W).	meter	100.0 u
DIGFREQ	minimum digital time step is 1/DIGFREQ	hertz	10.0 GHz
DIGDRVF	minimum drive resistance (Input/Output UIO type model, DRVH (high) and DRVL (low) values)	ohm	2.0
DIGDRVZ	maximum drive resistance (UIO type model, DRVH and DRVL values)	ohm	20K
DIGERRDEFAULT	default error limit per digital constraint device		20.0
DIGERRLIMIT	maximum digital error message limit		0**
DIGINITSTATE	sets initial state of all flip-flops and latches in circuit: 0=clear, 1=set, 2=X		2.0
DIGIOLVL	default digital I/O level: 1-4; see UIO in .MODEL (model definition)		1.0
DIGMNTYMX***	default delay selector: 1=min, 2-typical, 3=max, 4=min/max		2.0
DIGMNTYSCALE	scale factor used to derive minimum delays from typical delays		0.4
DIGOVRDRV	ratio of drive resistances required to allow one output to override another driving the same node		3.0
DIGTYMXSCALE	scale factor used to derive maximum delays from typical delays		1.6
GMIN****	minimum conductance used for any branch	ohm ⁻¹	1.0E-12
ITL1	DC and bias point blind repeating limit		150.0
ITL2	DC and bias point educated guess repeating limit		20.0
ITL4****	the limit at any repeating point in transient analysis		10.0
ITL5*	total repeating limit for all points for transient analysis (ITL5=0 means ITL5=infinity)		0.0**

Numerical options with their default values (continued)

Options	Description	Units	Default
LIMPTS*	maximum points allowed for any print table or plot (LIMPTS=0 means LIMPTS=infinity)		0.0**
NUMDGT	number of digits output in print tables (maximum of 8 useful digits)		4.0
PIVREL*	relative magnitude required for pivot in matrix solution		1.0E-3
PIVTOL*	absolute magnitude required for pivot in matrix solution		1.0E-13
RELTOL****	relative accuracy of V and I		0.001
TNOM	default nominal temperature (also the temperature at which model parameters are assumed to have been measured)	°C	27.0
VNTOL****	best accuracy of voltages	volt	1.0 uV
WIDTH	same as the .WIDTH OUT= statement (can be set to either 80 or 132)		80.0

*These options are available for modification in PSpice, but it is recommended that the program defaults be used.

**For these options zero means infinity.

***Setting the DIGMNTYMX=4 (min/max) directs PSpice to perform digital worst-case timing simulation. Refer to your PSpice user's guide for a complete description.

****These options can have an expression that uses the SCHEDULE function, which is a function of time.

Options for scheduling changes to runtime parameters

Purpose:

The .OPTIONS command can be used to schedule automatic changes to certain runtime parameters during a simulation. A special command syntax is used for this (see **General Form** below).

Note The ability to schedule such parameter changes only applies to transient analysis. You cannot interact with other analysis types.

General form:

```
.OPTIONS <Parameter Name>={SCHEDULE(<time-value>, <parameter value>, <time-value>, <parameter value>, ...)}
```

Example:

```
.OPTIONS RELTOL={SCHEDULE( 0s,.001,2s,.005)}
```

indicates that RELTOL should have a value of .001 from time 0 up to time 2s, and a value of .005 from time 2s and beyond (that is: RELTOL=.001 for t, where 0 ≤ t < 2s, and RELTOL=.005 for t, where t ≥ 2s).

PSpice A/D digital simulation condition messages

Other PSpice features produce warning messages in simulations (e.g., for the digital CONSTRAINT devices monitoring timing relationships of digital nodes). These messages are directed to the PSpice output file (and in Windows, to the Probe data file).

You can use options to control where and how many of these messages are generated. Below is a summary of the PSpice message types and a brief description of their meaning. The condition messages are specific to digital device timing violations and digital worst-case timing hazards. Refer to the Digital Simulation chapter of your PSpice user's guide for more information on digital worst-case timing.

Message type	Meaning
Timing violations	
FREQUENCY	The minimum or maximum frequency specification for a signal has not been satisfied. Minimum frequency violations show that the period of the measured signal is too long, while maximum frequency violations describe signals changing too rapidly.
GENERAL	A boolean expression described within the GENERAL constraint checker was evaluated and produced a true result.
HOLD	The minimum time required for a data signal to be stable <i>after</i> the assertion of a clock, has not been met.
SETUP	The minimum time required for a data signal to be stable <i>prior</i> to the assertion of a clock, has not been met.
RELEASE	The minimum time for a signal that has gone inactive (usually a control such as CLEAR) to remain inactive before the asserting clock edge, has not been met.
WIDTH	The minimum pulse width specification for a signal has not been satisfied. That is, a pulse that is too narrow was observed on the node.
Hazards	
AMBIGUITY CONVERGENCE	The convergence of conflicting rising and falling states (timing ambiguities) arriving at the inputs of a primitive, have produced a pulse (glitch) on the output.
CUMULATIVE AMBIGUITY	Signal ambiguities are additive, increased by propagation through each level of logic in the circuit. When the ambiguities associated with both edges of a pulse increase to the point where they would overlap, this is flagged as a cumulative ambiguity hazard.
DIGITAL INPUT VOLTAGE	When a voltage is out of range on a digital pin, PSpice uses the state whose voltage range is closest to the input voltage and continues using the simulation. A warning message is reported.
NET-STATE CONFLICT	When two or more outputs attempt to drive a net to different states, PSpice represents the conflict as an X (unknown) state. This usually results from improper selection of a bus driver's enable inputs.

SUPPRESSED GLITCH	A pulse applied to the input of a primitive that is shorter than the active propagation delay is ignored by PSpice. This can or cannot be significant, depending upon the nature of the circuit. The reporting of the suppressed glitch hazard shows that there might be a problem with either the stimulus, or the path delay configuration of the circuit.
PERSISTENT HAZARD	If the effects of any of the other logic hazard messages mentioned in the output file are able to propagate to either an EXTERNAL port, or to any storage device in the circuit, they are flagged as PERSISTENT HAZARDS. (Refer to your PSpice user's guide for more details on PERSISTENT HAZARDS.)
ZERO-DELAY-OSCILLATION	If the output of a primitive changes more than 50 times within a single digital time step, the node is considered to be oscillating. PSpice reports this and cancels the run.



.PARAM (parameter)

Purpose

The .PARAM statement defines the value of a parameter. A parameter name can be used in place of most numeric values in the circuit description. Parameters can be constants, or expressions involving constants, or a combination of these, and they can include other parameters.

General form

```
.PARAM < <name> = <value> >*
.PARAM < <name> = { <expression> } >*
```

Examples

```
.PARAM VSUPPLY = 5V
.PARAM VCC = 12V, VEE = -12V
.PARAM BANDWIDTH = {100kHz/3}
.PARAM PI = 3.14159, TWO_PI = {2*3.14159}
.PARAM VNUM = {2*TWO_PI}
```

Arguments and options

<name>

Cannot begin with a number, and it cannot be one of the following predefined parameters, or TIME, or [.TEXT \(text parameter\)](#) names.

There are several predefined parameters. The parameter values must be either constants or expressions:

Predefined parameter	Meaning
TEMP	temperature (works using ABM expressions and digital models only)
VT	thermal voltage (reserved)
GMIN	shunt conductance for semiconductor p-n junctions

<value>

Constants (<value>) do not need braces { }.

<expression>

Can contain constants or parameters.

Comments

The .PARAM statements are order independent. They can be used inside a subcircuit definition to create local subcircuit parameters. Once defined, a parameter can be used in place of almost all numeric values in the circuit description with the following exceptions:

- **Not** in the in-line temperature coefficients for resistors (parameters can be used for the TC1 and TC2 resistor model parameters).
- **Not** in the PWL values for independent voltage and current source (V and I device) parameters.
- **Not** the E, F, G, and H device SPICE2G6 syntax for polynomial coefficient values and gain.

A .PARAM command can be in a library. The simulator can search libraries for parameters not defined in the circuit file, in the same way it searches for undefined models and subcircuits.



.PLOT (plot)

Purpose The .PLOT command causes results from DC, AC, noise, and transient analyses to be line printer plots in the output file.



This command is included for backward compatibility with earlier versions of PSpice. It is more effective to print plots from within Probe. Printing from Probe yields higher-resolution graphics and provides an opportunity to preview the plot before printing.

General form .PLOT <analysis type> [output variable]*
+ ([<lower limit value> , <upper limit value>])*

Examples

```
.PLOT DC V(3) V(2,3) V(R1) I(VIN) I(R2) IB(Q13) VBE(Q13)
.PLOT AC VM(2) VP(2) VM(3,4) VG(5) VDB(5) IR(D4)
.PLOT NOISE INOISE ONOISE DB(INOISE) DB(ONOISE)
.PLOT TRAN V(3) V(2,3) (0,5V) ID(M2) I(VCC) (-50mA,50mA)
I.PLOT TRAN D(QA) D(QB) V(3) V(2,3)
.PLOT TRAN V(3) V(R1) V([RESET])
```

Arguments and options

<analysis type>

DC, AC, NOISE, or TRAN. Only one analysis type can be specified.

<output variable>

Following the analysis type is a list of the output variables and (possibly) Y axis scales. A maximum of 8 output variables are allowed on one .PLOT command. However, an analysis can have any number of a .PLOT command. See [.PROBE \(Probe\)](#) for the syntax of the output variables.

(<lower limit value>, <upper limit value>)

Sets the range of the y-axis. This forces all output variables on the same y-axis to use the specified range.

The same form, (<lower limit value>, <upper limit value>), can also be inserted one or more times in the middle of a set of output variables. Each occurrence defines one Y axis that has the specified range. All the output variables that come between it and the next range to the left in the .PLOT command are put on its corresponding Y axis.

Comments

Plots are made by using text characters to draw the plot, which print on any kind of printer. However, plots printed from within Probe look much better.

The range and increment of the x-axis is fixed by the analysis being plotted. The y-axis default range is determined by the ranges of the output variables. In the fourth example, the two voltage outputs go on the y-axis using the range (0,5V) and the two current outputs go on the y-axis using the range (-5mA, 50mA).



Lower and upper limit values do not apply to AC Analysis.

If the different output variables differ considerably in their output ranges, then the plot is given more than one y-axis using ranges corresponding to the different output variables.



The y-axis of frequency response plots (AC) is always logarithmic.

The last example illustrates how to plot the voltage at a node that has a name rather than a number. The first item to plot is a node voltage, the second item is the voltage across a resistor, and the third item is another node voltage, even though the second and third items both begin with the letter R. The square brackets force the interpretation of names to mean node names.



.PRINT (print)

Purpose The .PRINT command allows results from DC, AC, noise, and transient analyses to be an output in the form of tables, referred to as print tables in the output file.

General form .PRINT[/DGTLCHG] <analysis type> [output variable]*

Examples

```
.PRINT DC V(3) V(2,3) V(R1) I(VIN) I(R2) IB(Q13) VBE(Q13)
.PRINT AC VM(2) VP(2) VM(3,4) VG(5) VDB(5) IR(6) II(7)
.PRINT NOISE INOISE ONOISE DB(INOISE) DB(ONOISE)
.PRINT TRAN V(3) V(2,3) ID(M2) I(VCC)
.PRINT TRAN D(QA) D(QB) V(3) V(2,3)
.PRINT/DGTLCHG TRAN QA QB RESET
.PRINT TRAN V(3) V(R1) V([RESET])
```

The last example illustrates how to print a node that has a name, rather than a number. The first item to print is a node voltage, the second item is the voltage across a resistor, and the third item to print is another node voltage, even though the second and third items both begin with the letter R. The square brackets force the names to be interpreted as node names.

Arguments and options

[/DGTLCHG]

For digital output variables only. Values are printed for each output variable whenever one of the variables changes.

<analysis type>

Only one analysis type— DC, AC, NOISE, or TRAN—can be specified for each .PRINT command.

<output variable>

Following the analysis type is a list of the output variables. There is no limit to the number of output variables: the printout is split up depending on the width of the data columns (set using NUMDGT option) and the output width (set using WIDTH option). See [.PROBE \(Probe\)](#) for the syntax of output variables.

Comments

The values of the output variables are printed as a table where each column corresponds to one output variable. You can change the number of digits printed for analog values by using the NUMDGT option of the [.OPTIONS \(analysis options\)](#) command.

An analysis can have multiple .PRINT commands.

.PROBE (Probe)

Purpose The .PROBE command writes the results from DC, AC, and transient analyses to a data file used by Probe.

General form .PROBE[/CSDF][output variable]*

Examples

```
.PROBE
.PROBE V(3) V(2,3) V(R1) I(VIN) I(R2) IB(Q13) VBE(Q13)
.PROBE/CSDF
.PROBE V(3) V(R1) V([RESET])
.PROBE D(QBAR)
```

The first example (with no output variables) writes all the node voltages and all the device currents to the data file. The list of device currents written is the same as the device currents allowed as output variables.

The second example writes only those output variables specified to the data file, to restrict the size of the data file.

The third example creates a data file in a text format using the Common Simulation Data File (CSDF) format, not a binary format. This format is used for transfers between different computer families. CSDF files are larger than regular text files.

The fourth example illustrates how to specify a node that has a name rather than a number. The first item to output is a node voltage, the second item is the voltage across a resistor, and the third item to output is another node voltage, even though the second and third items both begin with the letter R. The square brackets force the interpretation of names to mean node names.

The last example writes only the output at digital node QBAR to the data file, to restrict the size of the data file.

Arguments and options

[output variable]

This section describes the types of output variables allowed in a [.PRINT \(print\)](#), [.PLOT \(plot\)](#), and .PROBE command. Each .PRINT or .PLOT can have up to 8 output variables. This format is similar to that used when calling up waveforms while running Probe.

See the tables below for descriptions of the possible output variables. If .PROBE is used without specifying a list of output variables, all of the circuit voltages and currents are stored for post-processing. When an output variable list is included, the data stored is limited to the listed items. This form is intended for users who want to limit the size of the Probe data file.

Comments

Refer to your PSpice user's guide for a description of Probe, for information about using the Probe data file, and for more information on the use of text files in Probe. You can also consult Probe Help.



Unlike the .PRINT and .PLOT commands, there are no analysis names before the output variables. Also, the number of output variables is unlimited.

DC Sweep and transient analysis output variables

For DC sweep and transient analysis, these are the available output variables:

General form	Meaning of output variable
D(<name>)	digital value of <name> (a digital node)*
/D()	all digital data
-D()	no digital data
-D(X)	all digital data except internal sub-circuit data
I(<name>)	current through a two terminal device
Ix(<name>)	current into a terminal of a three or four terminal device (x is one of B, D, G, or S)
Iz(<name>)	current into one end of a transmission line (z is either A or B)
/I()	all currents
-I()	no currents
-I(X)	all currents except internal sub-circuit currents
V(<node>)	voltage at a node
V(<+ node>, <- node>)	voltage between two nodes
V(<name>)	voltage across a two-terminal device
Vx(<name>)	voltage at a non-grounded terminal of a device (see Ix)
Vz(<name>)	voltage at one end of a transmission line (z is either A or B)
Vxy(<name>)	voltage across two terminals of a three or four terminal device type
/V()	all voltages
-V()	no voltages
-V(X)	all voltages except internal sub-circuit voltages
W(<name>)	power dissipation of a device
/W()	all power data
-W()	no power data
-W(X)	all power data except internal sub-circuit data

*These values are available for transient only. For the .PRINT/DGTLCHG statement, the D() is optional.

Example	Meaning
D(QA)	the value of digital node QA
I(D5)	current through diode D5
IG(J10)	current into gate of J10
V(3)	voltage between node three and ground
V(3,2)	voltage between nodes three and two
V(R1)	voltage across resistor R1
VA(T2)	voltage at port A of T2
VB(Q3)	voltage between base of transistor Q3 and ground
VGS(M13)	gate-source voltage of M13
W(U7)	power dissipated by device U7

Multiple-terminal devices

For the $V(\langle\text{name}\rangle)$ and $I(\langle\text{name}\rangle)$ forms, where $\langle\text{name}\rangle$ must be the name of a two-terminal device, the devices are:

Character ID	Two-terminal device
C	capacitor
D	diode
E	voltage-controlled voltage source
F	current-controlled current source
G	voltage-controlled current source
H	current-controlled voltage source)
I	independent current source
L	inductor
R	resistor
S	voltage-controlled switch
V	independent voltage source
W	current-controlled switch

For the $V_x(\langle\text{name}\rangle)$, $V_{xy}(\langle\text{name}\rangle)$, and $I_x(\langle\text{name}\rangle)$ forms, where $\langle\text{name}\rangle$ must be the name of a three or four-terminal device and x and y must each be a terminal abbreviation, the devices and the terminals areas follows. For the $V_z(\langle\text{name}\rangle)$ and $I_z(\langle\text{name}\rangle)$ forms, $\langle\text{name}\rangle$ must be the name of a transmission line (T device) and z must be A or B.

Three & four-terminal device type	Terminal abbreviation
B (GaAs MESFET)	D (drain) G (gate) S (source)
J (Junction FET)	D (drain) G (gate) S (source)
M (MOSFET)	D (drain) G (gate) S (source) B (bulk, substrate)
Q (Bipolar transistor)	C (collector) B (base) E (emitter) S (substrate)

Three & four-terminal device type	Terminal abbreviation
T (transmission line)	Va (near side voltage)
	Ia (near side current)
	Vb (far side voltage)
	Ib (far side current)
Z (IGBT)	C (collector)
	G (gate)
	E (emitter)

AC analysis

For AC analysis, these are the available output variables:

General form	Meaning of output variable
I(<name>)	current through a two terminal device
Ix(<name>)	current into a terminal of a three or four terminal device (x is one of B, D, G, or S)
Iz(<name>)	current into one end of a transmission line (z is either A or B)
/I()	all currents
-I()	no currents
-I(X)	all currents except internal sub-circuit currents
V(<node>)	voltage at a node
V(<+ node>, <- node>)	voltage between two nodes
V(<name>)	voltage across a two-terminal device
Vx(<name>)	voltage at a non-grounded terminal of a device (see Ix)
Vz(<name>)	voltage at one end of a transmission line (z is either A or B)
Vxy(<name>)	voltage across two terminals of a three or four terminal device type
/V()	all voltages
-V()	no voltages
-V(X)	all voltages except internal sub-circuit voltages
W(<name>)	power dissipation of a device
/W()	all power data
-W()	no power data
-W(X)	all power data except internal sub-circuit data

For AC analysis, the output variables listed in the preceding table are augmented by adding a suffix.



For AC analysis, the suffixes are ignored for a .PROBE command, but can be used in a **.PRINT (print)** command and a **.PLOT (plot)** command, and when adding a trace in Probe. For example, in a .PROBE command, VDB(R1) is translated to V(R1), which is the raw data.

For these devices, you need to put a zero-valued voltage source in series with the device (or terminal) of interest before you can print or plot the current through this voltage source.

Suffix	Meaning of output variables
none	magnitude
DB	magnitude in decibels
G	group delay ($-d\text{PHASE}/d\text{FREQUENCY}$)
I	imaginary part
M	magnitude
P	phase in degrees
R	real part

Example	Meaning of output variables for AC analysis
II(R13)	imaginary part of current through R13
IGG(M3)	group delay of gate current for M3
IR(VIN)	real part of I through VIN
IAG(T2)	group delay of current at port A of T2
V(2,3)	magnitude of complex voltage across nodes 2 & 3
VDB(R1)	db magnitude of V across R1
VBEP(Q3)	phase of base-emitter V at Q3
VM(2)	magnitude of V at node 2
WM(U7)	magnitude of power dissipated by device U7



Current outputs for the F and G devices are not available for DC and transient analyses.

Noise analysis

For noise analysis, the output variables are predefined as follows:

Output variable	Meaning of output variables for noise analysis
INOISE	Total RMS summed noise at input node
ONoise	INOISE equivalent at output node
DB(INOISE)	INOISE in decibels
DB(ONoise)	ONoise in decibels



.PRINT (print) and .PLOT (plot) cannot be used for the noise from any one device. However, the print interval on the .NOISE (noise analysis) command can be used to output this information.



.SAVEBIAS (save bias point to file)

Purpose

The **.SAVEBIAS** command saves the bias point node voltages and inductor currents, to a file. It is used concurrently with **.LOADBIAS (load bias point file)**.

Only one analysis is specified in a **.SAVEBIAS** command, which can be OP, TRAN, or DC. However, a circuit file can contain a **.SAVEBIAS** command for each of the three analysis types. If the simulation parameters do not match the keywords and values in the **.SAVEBIAS** command, then no file is produced.

General form

```
.SAVEBIAS <"file_name"> <[OP] [TRAN] [DC]> [NOSUBCKT]
+[TIME=<value> [REPEAT]] [TEMP=<value>]
+ [STEP=<value>] [MCRUN=<value>] [DC=<value>]
+ [DC1=<value>] [DC2=<value>]
```

Examples

```
.SAVEBIAS "OPPOINT" OP
```

For the first example, the small-signal operating point (.AC or .OP) bias point is saved.

```
.SAVEBIAS "TRANDATA.BSP" TRAN NOSUBCKT TIME=10u
```

In the second example, the transient bias point is written out at the time closest to, but not less than 10.0 u/sec. No bias point information for subcircuits is saved.

```
.SAVEBIAS "SAVETRAN.BSP" TRAN TIME=5n REPEAT TEMP=50.0
```

Use of the [REPEAT] keyword in the third example causes the bias point to be written out every 5.0 ns when the temperature of the run is 50.0 degrees.

```
.SAVEBIAS "DCBIAS.SAV" DC
```

In the fourth example, because there are no parameters supplied, only the very first DC bias point is written to the file.

```
.SAVEBIAS "SAVEDC.BSP" DC MCRUN=3 DC1=3.5 DC2=100
```

The fifth example saves the DC bias point when the following three conditions are all met: the first DC sweep value is 3.5, the second DC sweep value is 100, and the simulation is on the third Monte Carlo run. If only one DC sweep is being performed, then the keyword DC can be substituted for DC1.

Arguments and options

<"file name">

Any valid file name for the computer system, which must be enclosed in quotation marks.

[NOSUBCKT]

When used, the node voltages and inductor currents for subcircuits are not saved.

[TIME=<value> [REPEAT]]

Used to define the transient analysis time at which the bias point is to be saved.

[TEMP=<value>]

Defines the temperature at which the bias point is to be saved. [STEP=<value>]
The step value at which the bias point is to be saved.

[MCRUN=<value>]

The number of the Monte Carlo or worst-case analysis run for which the bias point is to be saved.

[DC=<value>], [DC1=<value>], and [DC2=<value>]

Used to specify the DC sweep value at which the bias point is to be saved.

Comments

If REPEAT is not used, then the bias at the next time point greater than or equal to TIME=<value> is saved. If REPEAT is used, then TIME=<value> is the interval at which the bias is saved. However, only the latest bias is saved; any previous times are overwritten. The [TIME=<value> [REPEAT]] can only be used with a transient analysis.

The [DC=<value>] should be used if there is only one sweep variable. If there are two sweep variables, then [DC1=<value>] should be used to specify the first sweep value and [DC2=<value>] should be used to specify the second sweep value.

The saved bias point information is in the following format: one or more comment lines that list items such as:

- circuit name, title, date and time of run, analysis, and temperature, or
- a single **.NODESET (set approximate node voltage for bias point)** command containing the bias point voltage values and inductor currents.

Only one bias point is saved to the file during any particular analysis. At the specified time, the bias point information and the operating point data for the active devices and controlled sources are written to the output file. When the supplied specifications on the .SAVEBIAS command line match the state of the simulator during execution, the bias point is written out.

Usage examples

A .SAVEBIAS command and a **.LOADBIAS (load bias point file)** command can be used to shorten the simulation time of large circuits, and also to aid in convergence.

A typical application for a .SAVEBIAS and a .LOADBIAS command is for a simulation that takes a considerable amount of time to converge to a bias point. The bias point is saved using a .SAVEBIAS command so that when the simulation is run again, the previous bias point calculated is used as a starting point for the bias solution, to save processing time.

The following example illustrates this procedure for a transient simulation.

```
.SAVEBIAS "SAVEFILE.TRN" TRAN
```

When the simulation is run, the transient analysis bias point information is saved to the file savefile.trn in the form of a .NODESET command. This .NODESET command provides the simulator with a starting solution for determining the bias point calculation for future simulations. To use this file, replace the .SAVEBIAS command in the circuit file using the following .LOADBIAS (Load Bias Point File) command.

```
.LOADBIAS "SAVEFILE.TRN"
```



A .SAVEBIAS and .LOADBIAS command should not refer to the same file during the same simulation run. Use the .SAVEBIAS during the first simulation and the .LOADBIAS for subsequent ones.

The simulator algorithms have been changed to provide an automatic saving and loading of bias point information under certain conditions. This automatic feature is used in the

following analysis types: **.STEP (parametric analysis)**, **.DC (DC analysis)**, **.WCASE (sensitivity/worst-case analysis)**, **.MC (Monte Carlo analysis)**, **.TEMP (temperature)**.

A typical application is a transient analysis where the bias point is calculated at several temperatures (such as `.TEMP 0 10 20 30`). As each new temperature is processed, the bias point for the previous temperature is used to find the new bias point. Since this process is automatic, the user does not have to change anything in the circuit file. However, there is some memory overhead since the bias point information is saved during the simulation. Disable the automatic saving feature, using the `NOREUSE` flag option in the **.OPTIONS (analysis options)** command as follows:

```
.OPTIONS NOREUSE
```

Another application for the `.LOADBIAS` and `.SAVEBIAS` command is the handling of convergence problems. Consider a circuit which has difficulty in starting a DC sweep. The designer has added a `.NODESET` command as shown below to help the simulator determine the bias point solution.

```
.NODESET V(3)=5.0V V(4)=2.75V
```

Even though this helps the simulator determine the bias point, the simulator still has to compute the starting values for each of the other nodes. These values can be saved using the following statement:

```
.SAVEBIAS "DCOP.NOD" DC
```

The next time the simulation is run, the `.NODESET` and `.SAVEBIAS` command should be removed and replaced using the following:

```
.LOADBIAS "DCOP.NOD"
```

This provides the starting values for all of the nodes in the circuit, and can assist the simulator in converging to the correct bias point for the start of the sweep. If convergence problems are caused by a change in the circuit topology, the designer can edit the bias point save file to change the values for specific nodes or to add new nodes.



.SENS (sensitivity analysis)

Purpose The .SENS command performs a DC sensitivity analysis.

General form .SENS <output variable>*

Examples .SENS V(9) V(4,3) V(17) I(VCC)

Arguments and options

<output variable>

Same format and meaning as in the .PRINT command for DC and transient analyses.

However, when <output variable> is a current, it is restricted to be the current through a voltage source.

Comments

By linearizing the circuit about the bias point, the sensitivities of each of the output variables to all the device values and model parameters is calculated and output data generated. This can generate large amounts of output data.

Device sensitivities are only provided for the following device types:

- resistors
- independent voltage and current sources
- voltage and current-controlled switches
- diodes
- bipolar transistors



The results of the .SENS command are only available in the output file. They cannot be viewed in Probe.

.STEP (parametric analysis)

Purpose

The .STEP command performs a parametric sweep for all of the analyses of the circuit.

The .STEP command is similar to the [.TEMP \(temperature\)](#) command in that all of the typical analyses—such as [.DC \(DC analysis\)](#), [.AC \(AC analysis\)](#), and [.TRAN \(transient analysis\)](#)—are performed for each step.

Once all the runs finish, the specified [.PRINT \(Print\)](#) table or [.PLOT \(Plot\)](#) plot for each value of the sweep is an output, just as for the .TEMP or [.MC \(Monte Carlo Analysis\)](#) command.

Probe displays nested sweeps as a family of curves.

General form

```
.STEP LIN <sweep variable name>
+ <start value> <end value> <increment value>

.STEP [DEC |OCT] <sweep variable name>
+ <start value> <end value> <points value>

.STEP <sweep variable name> LIST <value>*
```

The first general form is for doing a linear sweep. The second form is for doing a logarithmic sweep. The third form is for using a list of values for the sweep variable.

Examples

```
.STEP VCE 0V 10V .5V
.STEP LIN I2 5mA -2mA 0.1mA
.STEP RES RMOD(R) 0.9 1.1 .001
.STEP DEC NPN QFAST(IS) 1E-18 1E-14 5
.STEP TEMP LIST 0 20 27 50 80 100
.STEP PARAM CenterFreq 9.5kHz 10.5kHz 50Hz
```

The first three examples are for doing a linear sweep. The fourth example is for doing a logarithmic sweep. The fifth example is for using a list of values for the sweep variable.

Arguments and options

Sweep type

The sweep can be linear, logarithmic, or a list of values. For [linear sweep type], the keyword LIN is optional, but either OCT or DEC must be specified for the <logarithmic sweep type>. The sweep types are described below.

Sweep types	Meaning
LIN	Linear sweep. The sweep variable is swept linearly from the starting to the ending value. The <increment value> is the step size
OCT	Sweep by octaves. The sweep variable is swept logarithmically by octaves. The <points value> is the number of steps per octave.
DEC	Sweep by decades. The sweep variable is swept logarithmically by decades. The <points value> is the number of steps per decade.
LIST	Use a list of values. In this case there are no start and end values. Instead, the numbers that follow the keyword LIST are the values that the sweep variable is set to.



The LIST values must be in either ascending or descending order.

<sweep variable name>

The <sweep variable name> can be one of the types described below.

Sweep Variable Name	Meaning
source	A name of an independent voltage or current source. During the sweep, the source's voltage or current is set to the sweep value.
model parameter	A model type and model name followed by a model parameter name in parenthesis. The parameter in the model is set to the sweep value.
temperature	Use the keyword TEMP for <sweep variable name>. The temperature is set to the sweep value. For each value in the sweep, all the circuit components have their model parameters updated to that temperature.
global parameter	Use the keyword PARAM, followed by the parameter name, for <sweep variable name>. During the sweep, the global parameter's value is set to the sweep value and all expressions are reevaluated.

<start value>

Can be greater or less than <end value>: that is, the sweep can go in either direction.

<increment value> and <points value>

Must be greater than zero.

Comments

The .STEP command is similar to the [.DC \(DC analysis\)](#) command and immediately raises the question of what happens if both .STEP and .DC try to set the same value. The same question can come up using [.MC \(Monte Carlo analysis\)](#). The answer is that this is not allowed: no two analyses (.STEP, [.TEMP \(temperature\)](#), .MC, [.WCASE \(sensitivity/worst-case analysis\)](#), and .DC) can try to set the same value. This is flagged as an error during read-in and no analyses are performed.

You can use the .STEP command to look at the response of a circuit as a parameter varies, for example, how the center frequency of a filter shifts as a capacitor varies. By using .STEP, that capacitor can be varied, producing a family of AC waveforms showing the variation. Another use is for propagation delay in transient analysis.

Usage examples

One The .STEP command only steps the DC component of an AC source. In order to step the AC component of an AC source, a variable parameter has to be created. For example,

```
Vac 1 0 AC {variable}
.param variable=0
.step param variable 0 5 1
.ac dec 100 1000 1e6
```

Two This is one way of stepping a resistor from 30 to 50 ohms in steps of 5 ohms, using a global parameter:

```
.PARAM RVAL = 1
R1 1 2 {RVAL}
.STEP PARAM RVAL 30,50,5
```

The parameter RVAL is global and PARAM is the keyword used by the .STEP command when using a global parameter.

Three The following example steps the resistor model parameter R. This is another way of stepping a resistor from 30 to 50 ohms in steps of 5 ohms.

```
R1 1 2 RMOD 1
.MODEL RMOD RES(R=30)
.STEP RES RMOD(R) 30,50,5
```



Do not use R={30}.

Here RMOD is the model name, RES is the sweep variable name (a model type), and R is the parameter within the model to step. To step the value of the resistor, the line value of the resistor is multiplied by the R parameter value to achieve the final resistance value, that is:

$$\text{final resistor value} = \text{line resistor value} \cdot R$$

Therefore, if the line value of the resistor is set to one ohm, the final resistor value is $1 \cdot R$ or R . Stepping R from 30 to 50 ohms then steps the resistor value from $1 \cdot 30$ ohms to $1 \cdot 50$ ohms.

In examples 2 and 3, all of the ordinary analyses (e.g., .DC, .AC, and .TRAN) are run for each step.



.STIMLIB (stimulus library file)

Purpose The .STIMLIB command makes stimulus library files created by StmEd available to PSpice.

General form .STMLIB <file name[.stl]>

Examples

```
.STMLIB mylib.stl  
.STMLIB volts.stl  
.STMLIB dgpulse
```

Arguments and options

<file name>

Specification that identifies a file containing .STIMULUS commands.

.STIMULUS (stimulus)

Purpose The .STIMULUS command encompasses only the Transient specification portion of what is allowed in the V or I device syntax.

General form .STIMULUS <stimulus name> <type> <type-specific parameters>*

Examples

```
.STIMULUS InputPulse PULSE (-1mv 1mv 2ns 2ns 50ns 100ns)
.STIMULUS DigitalPulse STIM (1,1)
+      0S 1
+      10NS 0
+      20NS 1
.STIMULUS 50KHZSIN SIN (0 5 50KHZ 0 0 0)
```

Arguments and options

<stimulus name>

The name by which the stimulus is referred to by the source devices (V or I), or by the digital STIM device.

Comments

.STIMULUS commands generally appear within stimulus libraries created by StmEd.

.SUBCKT (subcircuit)

.ENDS (end subcircuit)

Purpose The .SUBCKT command/statement starts the subcircuit definition by specifying its name, the number and order of its terminals, and the names and default parameters that control its behavior. Subcircuits are instantiated using X ([Subcircuit instantiation](#)) devices. The .ENDS command marks the end of a subcircuit definition.

General form

```
.SUBCKT <name> [node]*
+ [OPTIONAL: < <interface node> = <default value> >*]
+ [PARAMS: < <name> = <value> >* ]
+ [TEXT: < <name> = <text value> >* ]
...
.ENDS
```

Examples

```
.SUBCKT OPAMP 1 2 101 102 17
...
.ENDS

.SUBCKT FILTER INPUT, OUTPUT PARAMS: CENTER=100kHz,
+ BANDWIDTH=10kHz
...
.ENDS

.SUBCKT PLD IN1 IN2 IN3 OUT1
+ PARAMS: MNTYMXDLY=0 IO_LEVEL=0
+ TEXT: JEDEC_FILE="PROG.JED"
...
.ENDS

.SUBCKT 74LS00 A B Y
+ OPTIONAL: DPWR=$G_DPWR DGND=$G_DGND
+ PARAMS: MNTYMXDLY=0 IO_LEVEL=0
...
.ENDS
```

Arguments and options

<name>

The name is used by an X (Subcircuit Instantiation) device to reference the subcircuit.

[node]*

An optional list of nodes (pins). This is optional because it is possible to specify a subcircuit that has no interface nodes.

OPTIONAL:

Allows specification of one or more optional nodes (pins) in the subcircuit definition.

Comments

The subcircuit definition ends with a .ENDS command. All of the netlist between .SUBCKT and .ENDS is included in the definition. Whenever the subcircuit is used by an X (Subcircuit Instantiation) device, all of the netlist in the definition replaces the X device.

There must be the same number of nodes in the subcircuit calling statements as in its definition. When the subcircuit is called, the actual nodes (the ones in the calling statement) replace the argument nodes (the ones in the defining statement).



Do not use 0 (zero) in this node list. Zero is reserved for the global ground node.

The optional nodes are stated as pairs consisting of an interface node and its default value. If an optional node is not specified in an X device, its default value is used inside the subcircuit; otherwise, the value specified in the definition is used.

This feature is particularly useful when specifying power supply nodes, because the same nodes are normally used in every device. This makes the subcircuits easier to use because the same two nodes do not have to be specified in each subcircuit statement. This method is used in the libraries provided with the Digital Simulation feature.

Subcircuits can be nested. That is, an X device can appear between .SUBCKT and .ENDS commands. However, subcircuit definitions cannot be nested. That is, a .SUBCKT statement cannot appear in the statements between a .SUBCKT and a .ENDS.

Subcircuit definitions should contain only device instantiations (statements without a leading period) and possibly these statements:

- **.IC (initial bias point condition)**
- **.NODESET (set approximate node voltage for bias point)**
- **.MODEL (model definition)**
- **.PARAM (parameter)**
- **.FUNC (function)**

Models, parameters, and functions defined within a subcircuit definition are available only within the subcircuit definition in which they appear. Also, if a .MODEL, .PARAM, or a .FUNC statement appears in the main circuit, it is available in the main circuit and all subcircuits.

Node, device, and model names are local to the subcircuit in which they are defined. It is acceptable to use a name in a subcircuit which has already been used in the main circuit. When the subcircuit is expanded, all its names are prefixed using the subcircuit instance name: for example, Q13 becomes X3.Q13 and node 5 becomes X3.5 after expansion. After expansion all names are unique. The only exception is the use of global node names (refer to your PSpice user's guide) that are not expanded.

The keyword `PARAMS`: passes values into subcircuits as arguments and uses them in expressions inside the subcircuit. The keyword `TEXT`: passes text values into subcircuits as arguments and uses them as expressions inside the subcircuit. Once defined, a text parameter can be used in the following places:

- To specify a JEDEC file name on a PLD device.
- To specify an Intel Hex file name to program a ROM device or initialize a RAM device.
- To specify a stimulus file name or signal name on a FSTIM device.
- To specify a text parameter to a (lower level) subcircuit.
- As part of a text expression used in one of the above.



The text parameters and expressions are currently only used in Digital Simulation.

Usage examples

One In the example of the 74LS00 subcircuit, the following subcircuit reference uses the default power supply nodes `$G_DPWR` and `$G_DGND`:

```
X1 IN1 IN2 OUT 74LS00
```

Two To specify your own power supply nodes `MYPOWER` and `MYGROUND`, use the following subcircuit instantiation:

```
X2 IN1 IN2 OUT MYPOWER MYGROUND 74LS00
```

Three If wanted, one optional node in the subcircuit instantiation can be provided. In the following subcircuit instantiation, the default `$G_DGND` would be used:

```
X3 IN1 IN2 OUT MYPOWER 74LS00
```

Four However, to specify values beyond the first optional node, all nodes previous to that node must be specified. For example, to specify your own ground node, the default power node before it must be explicitly stated:

```
X4 IN1 IN2 OUT $G_DPWR MYGROUND 74LS00
```



.TEMP (temperature)

Purpose The .TEMP command sets the temperature at which all analyses are done.

General form .TEMP <temperature value>*

Examples
.TEMP 125
.TEMP 0 27 125

Comments

The temperatures are in degrees Centigrade. If more than one temperature is given, then all analyses are performed for each temperature.

It is assumed that the model parameters were measured or derived at the nominal temperature, TNOM (27°C by default). See the [.OPTIONS \(analysis options\)](#) command for setting TNOM.

.TEMP behaves similarly to the list variant of the [.STEP \(parametric analysis\)](#) statement, with the stepped variable being the temperature.

.TEXT (text parameter)

Purpose The .TEXT command precedes a list of names and text values.

General form .TEXT < <name> = "<text value>" >*
 .TEXT < <name> = | <text expression> | >*

Examples

```
.TEXT MYFILE = "FILENAME.EXT"
.TEXT FILE = "ROM.DAT", FILE2 = "ROM2.DAT"
.TEXT PROGDATA = |"ROM"+TEXTINT(RUN_NO)+".DAT" |
.TEXT DATA1 = "PLD.JED", PROGDATA = |"\PROG\DAT\"+FILENAME|
```

Arguments and options

<name>

Cannot be a .PARAM name, or any of the reserved parameters names.

<text expression>

Text expressions can contain the following:

Text expressions	Definition
enclosed in “ ”	text constants
text parameters	previously defined parameters
+	the operator that concatenates two text values
TEXTINT (<value or expression>)	a function which returns a text string which is the integer value closest to the value of the <value or expression>; (<value or expression> is a floating-point value)

The values can be text constants (enclosed in quotation marks “ ”) or text expressions (enclosed in |). Text expressions can contain only text constants or previously defined parameters. Once defined, a text parameter has the following uses:

- To specify a JEDEC file name on a PLD device.
- To specify an Intel Hex file name to program a ROM device or initialize a RAM device.
- To specify a stimulus file name or signal name on an FSTIM device.
- To specify a text parameter to a subcircuit.
- As part of a text expression used in one of the above.



Text parameters and expressions are only used in digital simulation.

.TF (transfer)

Purpose The .TF command/statement causes the small-signal DC gain to be calculated by linearizing the circuit around the bias point.

General form .TF <output variable> <input source name>

Examples
.TF V(5) VIN
.TF I(VDRIV) ICNTRL

Arguments and options

<output variable>

This has the same format and meaning as in the [.PRINT \(print\)](#) statement.

Comment

The gain from <input source name> to <output variable> and the input and output resistances are evaluated and written to the output file. This output does not require a [.PRINT \(Print\)](#), [.PLOT \(plot\)](#), or [.PROBE \(Probe\)](#) statement. When <output variable> is a current, it is restricted to be the current through a voltage source.



The results of the .TF command are only available in the output file. They cannot be viewed in Probe.

.TRAN (transient analysis)

Purpose The .TRAN command causes a transient analysis to be performed on the circuit and specifies the time period for the analysis.

General form .TRAN[/OP] <print step value> <final time value>
+[no-print value [step ceiling value]][SKIPBP]

Examples

```
.TRAN 1ns 100ns
.TRAN/OP 1ns 100ns 20ns SKIPBP
.TRAN 1ns 100ns 0ns .1ns
.TRAN 1ns 100ns 0ns {SCHEDULE(0,1ns,25ns,.1ns)}
```

Arguments and options

[/OP]

Causes the same detailed printing of the bias point that the **.OP (bias point)** command does for the regular bias point. Without using this option, only the node voltages are printed for the transient analysis bias point.

<print step value>

Sets the time interval used for printing (.PRINT), plotting (.PLOT), or performing a Fourier integral on (.FOUR) the results of the transient analysis.

Since the results are computed at different times than they are printed, a 2nd-order polynomial interpolation is used to obtain the printed values. This applies only to **.PRINT (print)**, **.PLOT (plot)**, and **.FOUR (Fourier analysis)** outputs and does not affect Probe.

<final time value>

Sets the end time for the analysis.

[no-print value]

Sets the time interval (from TIME=0) that is not printed, plotted, or given to Probe.

[step ceiling value]

Overrides the default ceiling on the internal time step with a lower value.

The function SCHEDULE($x_1, y_1, x_2, y_2, \dots, x_n, y_n$) can be used in place of the step ceiling value to define a piecewise constant function (from time x forward use y).

[SKIPBP]

Skips calculation of the bias point.

When this option is used, the bias conditions are fully determined by the IC= specifications for capacitors and inductors.

Comments

The transient analysis calculates the circuit's behavior over time, always starting at TIME=0 and finishing at <final time value>, but you can suppress the output of a portion of the analysis. Use a [.PRINT \(print\)](#), [.PLOT \(plot\)](#), [.FOUR \(Fourier analysis\)](#), or [.PROBE \(Probe\)](#) to get the results of the transient analysis.

Prior to performing the transient analysis, PSpice computes a bias point for the circuit separate from the regular bias point. This is necessary because at the start of a transient analysis, the independent sources can have different values than their DC values.

The internal time step of the transient analysis adjusts as the analysis proceeds: over intervals when there is little activity, the time step is increased, and during busy intervals it is decreased. The default ceiling on the internal time step is <final time value>/50, but when there are no charge storage elements, inductances, or capacitances in the circuit, the ceiling is <print step value>.

The .TRAN command also sets the variables TSTEP and TSTOP, which are used in defaulting some waveform parameters. TSTEP is equal to <print step value> and TSTOP is equal to <final time value>.

Refer to your PSpice user's guide for more information on setting initial conditions.

Scheduling changes to runtime parameters with the .TRAN statement

Purpose:

You can schedule automatic changes to the TMAX parameter for the .TRAN statement during a transient analysis. A special command syntax is used for this (see **General Form** below).

General form:

For TMAX only, the general form is:

```
.TRAN <time-value> <time-value> <step ceiling> {SCHEDULE(<time-value>,
<parameter value>, <time-value>, <parameter value>, ...)}
```

where the first value is time and the second value is step ceiling. For more details, see the .TRAN command section.

Example:

```
.TRAN .1ns 100ns 0ns {SCHEDULE(0,1ns,25ns,.1ns)}
```

Note For more information on scheduling runtime parameters during a simulation, see the .OPTIONS command section.



.VECTOR (digital output)

Purpose The .VECTOR command creates files containing digital simulation results.

General form

```
.VECTOR <number of nodes> <node>*
+ [ POS = <column position> ]
+ [ FILE = <filename> ]
+ [ RADIX = "Binary" | "Hex" | "Octal"
+ [ BIT = <bit index> ] ]
+ [ SIGNAMES = <signal names> ]
```

Examples

```
.VECTOR 1 CLOCK SIGNAMES=SYSCLK
.VECTOR 4 DATA3 DATA2 DATA1 DATA0
.VECTOR 1 ADDR3 POS=2 RADIX=H BIT=4
.VECTOR 1 ADDR2 POS=2 RADIX=H BIT=3
.VECTOR 1 ADDR1 POS=2 RADIX=H BIT=2
.VECTOR 1 ADDR0 POS=2 RADIX=H BIT=1
```

Arguments and options

<filename>

Specifies the name of the file to which the simulation results are saved. If left blank, the simulator creates a file named <circuit filename>.vec, where <circuit filename>.cir is the name of the netlist file.

<number of nodes>

This means the number of nodes in the list.

<node>

This defines the nodes whose states are to be stored.

<column position>

Specifies the column position in the file. By default, the column position is determined through the order in which the .VECTOR command appears in the circuit file, and by the order of the signals within a .VECTOR command. Valid values for <column position> are 1-255.

RADIX

The radix of the values for the specified nodes is defined if <number of nodes> is greater than one. Valid values are BINARY, OCTAL, or HEX (you can abbreviate to the first letter). If <number of nodes> is one, and a radix of OCTAL or HEX is specified, a bit position within the octal or hex digit via the BIT parameter can also be specified. A separate .VECTOR command can be used to construct multi-bit values out of single signals, provided the same POS value is specified. The default radix is BINARY if <number of nodes> is one. Otherwise, the default radix is HEX. If a radix of OCTAL or HEX is specified, the simulator creates dummy entries in the vector file header to fill out the value if <number of nodes> is not an even power of two.

<bit index>

Defines the bit position within a single hex or octal digit when the VECTOR symbol is attached to a wire. Valid values are one through four if RADIX=HEX, and one through three if RADIX=OCTAL.

<signal names>

Defines the names of the signals which appear in the header of the vector file. If SIGNAMES is not specified, the <node> names are used in the vector file header. If <number of nodes> is greater than one, names are defined positionally, msb to lsb. If fewer signal names than <number of nodes> are specified, the <node> names are used for the remaining unspecified names.

Comments

The resulting file contains time and state values for the circuit nodes specified in the statement. The file format is identical to that used by the digital file stimulus device (FSTIM). Thus, the results of one simulation can be used to drive inputs of a subsequent simulation. See [File stimulus](#) for more information on the file stimulus file format.

The optional parameters on the .VECTOR command can be used to control the file name, column order, radix of the state values, and signal names which appear in the file header. Each parameter is described in detail in the following table.

A different file name can be specified by using the FILE parameter. You can use multiple .VECTOR commands to specify nodes for the same file.



.WATCH (watch analysis results)

Purpose The .WATCH command/statement outputs results from DC, AC, and transient analyses to the PSpice display in text format while the simulation is running.

General form .WATCH [DC][AC][TRAN]
+ [<output variable> [<lower limit value>,<upper limit value>]]*

Examples
 .WATCH DC V(3) (-1V,4V) V(2,3) V(R1)
 .WATCH AC VM(2) VP(2) VMC(Q1)
 .WATCH TRAN VBE(Q13) (0V,5V) ID(M2) I(VCC) (0,500mA)
 .WATCH DC V([RESET]) (2.5V,10V)

Arguments and options

DC, AC, and TRAN

The analysis types whose results are displayed during the simulation. You only need to specify one analysis type per .WATCH command, but there can be a .WATCH command for each analysis type in the circuit.

<output variable>

A maximum of eight output variables are allowed on a single .WATCH statement.

<lower limit value>,<upper limit value>

Specifies the normal operating range of that particular output variable. If the range is exceeded during the simulation, the simulator beeps and pauses. At this point, the simulation can be canceled or continued. If continued, the check for that output variable's boundary condition is eliminated. Each output variable can have its own value range.

The first example displays three output variables on the screen. The first variable, V(3), has an operating range set from minus one volt to four volts. If during the simulation the voltage at node three exceeds four volts, the simulation will pause. If the simulation is allowed to proceed, and node three continues to rise in value, the simulation is then not interrupted. However, if the simulation is allowed to continue and V(3) falls below -1.0 volt, the simulation would again pause because a new boundary condition was exceeded.

Up to three output variables can be seen on the display at one time. More than three variables can be specified, but they are not all displayed.

The possible output variables are given in [.PROBE \(Probe\)](#), with the exception that digital nodes cannot be used and group delay is not available.

.WCASE (sensitivity/worst-case analysis)

Purpose The .WCASE statement causes a sensitivity and worst-case analysis of the circuit to be performed.

General form .WCASE <analysis> <output variable> <function> [option]*

Examples

```
.WCASE TRAN V(5) YMAX
.WCASE DC IC(Q7) YMAX VARY DEV
.WCASE AC VP(13,5) YMAX DEVICES RQ OUTPUT ALL
.WCASE TRAN V([OUT1],[OUT2]) YMAX RANGE(.4u,.6u)
+ LIST OUTPUT ALL VARY DEV HI
```

Arguments and options

<analysis>

Only one of DC, AC, or TRAN must be specified for <analysis>. This analysis is repeated in subsequent passes of the worst-case analysis. All requested analyses are performed during the nominal pass. Only the selected analysis is performed during subsequent passes.

<output variable>

Identical in format to that of a [.PRINT \(print\)](#) output variable.

<function>

Specifies the operation to be performed on the values of the <output variable> to reduce these to a single value. This value is the basis for the comparisons between the nominal and subsequent runs. The <function> must be one of the following:

Function	Meaning
YMAX	Find the absolute value of the greatest difference in each waveform from the nominal run.
MAX	Find the maximum value of each waveform.
MIN	Find the minimum value of each waveform.
RISE_EDGE(<value>)	Find the first occurrence of the waveform crossing above the threshold <value>. The waveform must have one or more points at or below <value> followed by one above; the output value listed is where the waveform increases above <value>.
FALL_EDGE(<value>)	Find the first occurrence of the waveform crossing below the threshold <value>. The waveform must have one or more points at or above <value> followed by one below; the output value listed is where the waveform decreases below <value>.

[option]*
 Could have any number of the following.

[option]	Meaning
LIST	Prints the updated model parameters for the sensitivity analysis. This does not affect the Probe data generated by the simulation.
OUTPUT ALL	Prints output from the sensitivity runs, after the nominal (first) run. The output from any run is governed by the .PRINT, .PLOT, and .PROBE command in the file. If OUTPUT ALL is omitted, then only the nominal and worst-case runs produce output. OUTPUT ALL ensures that all sensitivity information is saved for Probe.
RANGE* (<low value>, <high value>)	Restricts the range over which <function> can be evaluated. An asterisk * can be used in place of a <value> to show for all values. For example see the next two rows.
YMAX RANGE(*,.5)	YMAX is evaluated for values of the sweep variable (e.g., time, and frequency) of .5 or less.
MAX RANGE(-1,*)	The maximum of the output variable is found for values of the sweep variable of -1 or more.
HI or LOW	Specify the direction which <function> should move for the worst-case run is to go (relative to the nominal). If <function> is YMAX or MAX, the default is HI, otherwise the default is LOW.
VARY DEV VARY LOT VARY BOTH	By default, any device which has a model parameter specifying either a DEV tolerance or a LOT tolerance is included in the analysis. The analysis can be limited to only those devices which have DEV or LOT tolerances by specifying the appropriate option. The default is VARY BOTH. When VARY BOTH is used, sensitivity to parameters using both DEV and LOT specifications is checked only with respect to LOT variations. The parameter is then maximized or minimized using both DEV and LOT tolerances for the worst-case. All devices referencing the model have the same parameter values for the worst-case simulation.
DEVICES (list of device types)	By default, all devices are included in the sensitivity and worst-case analyses. The devices considered can be limited by listing the device types after the keyword DEVICES. Do not use any spaces or tabs in the devices list. For example, to only perform the analysis on resistors and MOSFETs, enter: DEVICES RM

* If RANGE is omitted, then <function> is evaluated over the whole sweep range. This is equivalent to RANGE(*,*).

Comments

Multiple runs of the selected analysis (DC, AC, or transient) are performed while parameters are varied. Unlike **.MC (Monte Carlo analysis)**, **.WCASE** varies only one parameter per run. This allows PSpice to calculate the sensitivity of the output waveform to each parameter. Once all the sensitivities are known, one final run is performed using all parameters varied so as to produce the worst-case waveform. The sensitivity and worst-case runs are performed using variations on model parameters as specified by the DEV and LOT tolerances on each **.MODEL (model definition)** parameter (see page **1-50** for details on the DEV and LOT tolerances). Other specifications on the **.WCASE** command control the output generated by the analysis.



You can run either **.MC** or **.WCASE** for a circuit, but not both in the same circuit.



Section

* (comment)

Purpose A statement beginning with an asterisk * is a comment line, which PSpice ignores.

General form * [any text]

Examples * This is an example of
* a multiple-line comment

Use an asterisk at the beginning of each line you want to be a comment. A single asterisk does not extend to subsequent lines. For example:

```
* .MODEL ABC NMOS (. . . .
+ . . . .)
```

produces an error message, because the second line is not covered by the first asterisk.

The use of comment statements throughout the input is recommended. It is good practice to insert a comment line just before a subcircuit definition to identify the nodes, for example:

```
*           +IN  -IN  V+  V-  +OUT  -OUT
.SUBCKT OPAMP 100 101 1 2 200 201
```

or to identify major blocks of circuitry.

; (in-line comment)

Purpose A semicolon ; is treated as the end of a line.

General form circuit file text ;[any text]

Examples

```
R13 6 8 10 ; R13 is a
                ; feedback resistor
C3 15 0 .1U ; decouple supply
```

The simulator moves on to the next line in the circuit file. The text on the line after the semicolon ; is a comment and has no effect. The use of comments throughout the input is recommended. This type of comment can also replace comment lines, which must start with * in the first column.

Trailing in-line comments that extend to more than one line can use a semicolon to mark the beginning of the subsequent comment lines, as shown in the example.

+ (line continuation)

Purpose A plus sign + is treated as the continuation of the previous line.

General form circuit file text
+ more text

Examples .DISTRIBUTION bi_modal (-1,1) (-.5,1) (-.5,0) (.5,0)
+ (.5,1) (1,1)

Because the simulator reads the line preceded by a plus sign as a continuation of the previous line, you can use the plus sign to break up long lines of command text.

Differences between PSpice and Berkeley SPICE2

The version of SPICE2 referred to is SPICE2G.6 from the University of California at Berkeley.

PSpice runs any circuit that SPICE2 can run, with these exceptions:

- 1 Circuits that use .DISTO (small-signal distortion) analysis. U.C. Berkeley SPICE supports the .DISTO analysis, but contains errors. Also, the special distortion output variables (e.g., HD2 and DIM3) are not available. Instead of the .DISTO analysis, Orcad recommends running a transient analysis and looking at the output spectrum using the Fourier transform mode in Probe. This technique shows the distortion (spectral) products for both small-signal and large-signal distortion.
- 2 These options on the .OPTIONS (analysis options) statement are not available in PSpice:
 - LIMTIM: it is assumed to be 0.
 - LVLCOD: no in-line machine code is generated.
 - METHOD: a combination of trapezoidal and gear integration is always used.
 - MAXORD: a combination of trapezoidal and gear integration is always used.
 - LVLTIM: truncation error time step control is always used.
 - ITL3: truncation error time step control is always used.
- 3 The IN= option on the .WIDTH statement is not available. PSpice always reads the entire input file regardless of how long the input lines are.
- 4 Voltage coefficients for capacitors, and current coefficients for inductors must be put into a .MODEL (model definition) statement instead of on the device statement.
- 5 PSpice does not allow the use of nested subcircuit definitions.

If this construct is used:

```
.SUBCKT ABC 1 2 3
...
.SUBCKT DEF 4 5 6
...
.ENDS
...
.ENDS
```

It is recommended that the definitions be separated into:

```
.SUBCKT ABC 1 2 3
...
X1 ... DEF
...
.ENDS
.SUBCKT DEF 4 5 6
...
.ENDS
```



You can nest subcircuit calls.

- 6 The .ALTER command is not supported in PSpice. Instead, use the .STEP (parametric analysis) command to modify specific parameters over multiple PSpice runs.
- 7 The syntax for the one-dimensional POLY form of E, F, G, and H (Voltage-controlled voltage source and Current-controlled current source) devices is different. PSpice requires a dimension specification of the form POLY(1), while SPICE does not.

PSpice produces basically the same results as SPICE. There can be some small differences, especially for values crossing zero, due to the corrections made for convergence problems.

The semiconductor device models are the same as in SPICE.



Analog devices

Letter	Device type	Letter	Device type
B	<u>GaAsFET</u>	N	<u>Digital input (N device)</u>
C	<u>Capacitor</u>	O	<u>Digital output (O Device)</u>
D	<u>Diode</u>	Q	<u>Bipolar transistor</u>
E	<u>Voltage-controlled voltage source</u>	R	<u>Resistor</u>
F	<u>Current-controlled current source</u>	S	<u>Voltage-controlled switch</u>
G	<u>Voltage-controlled current source</u>	T	<u>Transmission line</u>
H	<u>Current-controlled voltage source</u>	U	<u>Digital primitive summary</u>
I	<u>Independent current source & stimulus</u>	U STIM	<u>Stimulus devices</u>
J	<u>Junction FET</u>	V	<u>Independent voltage source & stimulus</u>
K	<u>Inductor coupling (and magnetic core)</u>	W	<u>Current-controlled switch</u>
K	<u>Transmission line coupling</u>	X	<u>Subcircuit instantiation</u>
L	<u>Inductor</u>	Z	<u>IGBT</u>
M	<i>New!</i> <u>MOSFET</u>		

2



Commands

Digital devices Device Equations

Analog devices

This chapter describes the different types of analog devices supported by PSpice and PSpice A/D. These device types include analog primitives, independent and controlled sources, and subcircuit calls. Each device type is described separately, and each description includes the following information as applicable:

- A description and an example of the proper netlist syntax.
- The corresponding model types and their description.
- The corresponding list of model parameters and their descriptions.
- The equivalent circuit diagram and characteristic equations for the model (as required).
- References to publications that the model is based on.

These analog devices include all of the standard circuit components that normally are not considered part of the two-state (binary) devices that are found in the digital devices.

The model library consists of analog models of off-the-shelf parts that you can use directly in your circuit designs. Refer to the online Library List for available device models and the libraries they are located in. You can also implement models using the [.MODEL \(model definition\)](#) statement and implement macromodels as subcircuits using the [.SUBCKT \(subcircuit\)](#) statement.

The [Device types](#) summary table lists all of the analog device primitives supported by PSpice A/D. Each primitive is described in detail in the sections following the table.

Device types

PSpice supports many types of analog devices, including sources and general subcircuits. PSpice A/D also supports digital devices. The supported devices are categorized into device types, each of which can have one or more model types. For example, the BJT device type has three model types: NPN, PNP, and LPNP (Lateral PNP). The description of each device type includes a description of any of the model types it supports.

The device declarations in the netlist always begin with the name of the individual device (instance). The first letter of the name determines the device type. What follows the name depends on the device type and its requested characteristics. Below is a summary of the device types and the general form of their declaration formats.



The table below includes the designator (letter) used in device modeling for each device type.

Analog device summary

Device type	Letter	Declaration format
<u>Bipolar transistor</u>	Q	Q<name> <collector node> <base node> <emitter node> + [substrate node] <model name> [area value]
<u>Capacitor</u>	C	C<name> <+ node> <- node> [model name] <value> + [IC=<initial value>]
<u>Voltage-controlled voltage source</u>	E	E<name> <+ node> <- node> <+ controlling node> + <- controlling node> <gain> (additional Analog Behavioral Modeling forms: VALUE, TABLE, LAPLACE, FREQ, and CHEBYSHEV; additional POLY form)
<u>Voltage-controlled current source</u>	G	G<name> <+ node> <- node> <+ controlling node> + <- controlling node> <transconductance> (additional Analog Behavioral Modeling forms: VALUE, TABLE, LAPLACE, FREQ, and CHEBYSHEV; additional POLY form)
<u>Current-controlled current source</u>	F	F<name> <+ node> <- node> <controlling V device name> + <gain> (additional POLY form)
<u>Current-controlled switch</u>	W	W<name> <+ switch node> <- switch node> + <controlling V device name> <model name>
<u>Current-controlled voltage source</u>	H	H<name> <+ node> <- node> <controlling V device name> + <transresistance> (additional POLY form)
<u>Digital input (N device)</u>	N	N<name> <interface node> <low level node> <high level node> + <model name> <input specification>

Analog device summary (continued)

Device type	Letter	Declaration format
<u>Digital output (O Device)</u>	O	O<name> <interface node> <low level node> <high level node> + <model name> <output specification>
<u>Digital primitive summary</u>	U	U<name> <primitive type> ([parameter value]*) + <digital power node> <digital ground node> <node>*&br/>+ <timing model name>
<u>Stimulus devices*</u>	U STIM	U<name> STIM (<width value>, <format value>) + <digital power node> <digital ground node> <node>*&br/>+ <I/O model name> [TIMESTEP=<stepsize value>] + <waveform description>
<u>Diode</u>	D	D<name> <anode node> <cathode node> <model name> [area value]
<u>GaAsFET</u>	B	B<name> <drain node> <gate node> <source node> + <model name> [area value]
<u>Independent current source & stimulus</u>	I	I<name> <+ node> <- node> [[DC] <value>] + [AC <magnitude value> [phase value]] [transient specification]
<u>Independent voltage source & stimulus</u>	V	V<name> <+ node> <- node> [[DC] <value>] + [AC <magnitude value> [phase value]] [transient specification]
<u>Inductor</u>	L	L<name> <+ node> <- node> [model name] <value> + [IC=<initial value>]
<u>Inductor coupling (and magnetic core)</u>	K	K<name> L<inductor name> <L<inductor name>>*&br/>+ <coupling value> K<name> <L<inductor name>>* <coupling value> + <model name> [size value]
<u>IGBT</u>	Z	Z<name> <collector> <gate> <emitter> <model name> + [AREA=<value>] [WB=<value>] [AGD=<value>] + [KP=<value>] [TAU=<value>]
<u>Junction FET</u>	J	J<name> <drain node> <gate node> <source node> + <model name> [area value]
<u>MOSFET</u>	M	M<name> <drain node> <gate node> <source node> + <bulk/substrate node> <model name> + [common model parameter]*
<u>Resistor</u>	R	R<name> <+ node> <- node> [model name] <value> + [TC=<linear temp. coefficient>[,<quadratic temp. coefficient>]]
<u>Subcircuit instantiation</u>	X	X<name> [node]* <subcircuit name> + [PARAMS: <<name>=<value>>]* [TEXT:<<name>=<text value>>]*

Analog device summary (continued)

Device type	Letter	Declaration format
<u>Transmission line</u>	T	T<name> <A port + node> <A port - node> + <B port + node> <B port - node> <ideal or lossy specification>
<u>Transmission line coupling</u>	K	K<name> T<line name> <T<line name>>* + CM=<coupling capacitance> LM=<coupling inductance>
<u>Voltage-controlled switch</u>	S	S<name> <+ switch node> <- switch node> + <+ controlling node> <- controlling node> <model name>

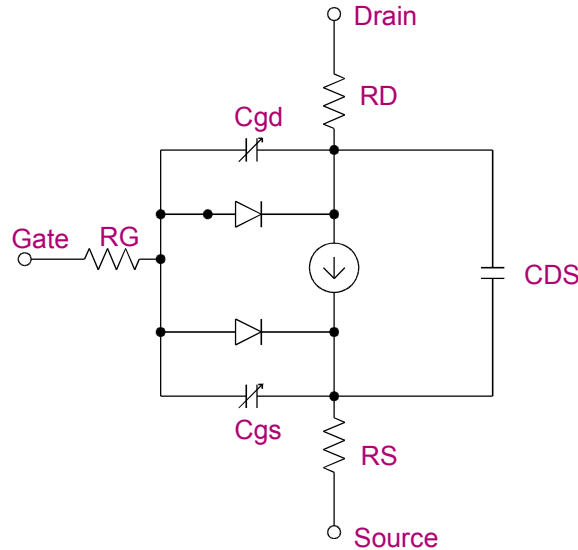
GaAsFET

General form B<name> <drain node> <gate node> <source node> <model name> [area value]

Examples
 BIN 100 10 0 GFAST
 B13 22 14 23 GNOM 2.0

Model form .MODEL <model name> GASFET [model parameters]

Description The GaAsFET is modeled as an intrinsic FET using an ohmic resistance (**RD**/area) in series with the drain, another ohmic resistance (**RS**/area) in series with the source, and another ohmic resistance (**RG**) in series with the gate.



Arguments and options

[area value]

The relative device area. Its default value is 1.0.

Comments

The **LEVEL** model parameter selects among different models for the intrinsic GaAsFET as follows:

- LEVEL=1** “Curtice” model (see reference [1])
- LEVEL=2** “Raytheon” or “Statz” model (see reference [3]), equivalent to the GaAsFET model in SPICE3
- LEVEL=3** “TOM” model by TriQuint (see reference [4])
- LEVEL=4** “Parker-Skellern” model (see reference [5] and [6])
- LEVEL=5** “TOM-2” model by TriQuint (see reference [7])

For more information, see [References](#).



The TOM-2 model is based on the original TriQuint TOM model, retaining the desirable features of the TOM model, while improving accuracy in the subthreshold near cutoff and knee regions (V_{ds} of 1 volt or less). This model includes additional temperature coefficients related to the drain current and corrects the major deficiencies in the behavior of the capacitance as a function of temperature.

Capture parts

The following table lists the set of GaAsFET breakout parts designed for customizing model parameters for simulation. These are useful for setting up Monte Carlo and worst-case analyses with device and/or lot tolerances specified for individual model parameters.

part name	Model type	Property	Property description
BBREAK	GASFET	AREA MODEL	area scaling factor GASFET model name

Setting operating temperature

Operating temperature can be set to be different from the global circuit temperature by defining one of the model parameters: `T_ABS`, `T_REL_GLOBAL`, or `T_REL_LOCAL`. Additionally, model parameters can be assigned unique measurement temperatures using the `T_MEASURED` model parameter.

Model parameters

GaAsFET model parameters for all levels

Model parameter*	Description	Units	Default
AF	flicker noise exponent		1
BETA	transconductance coefficient	amp/volt ²	0.1
BETATCE	BETA exponential temperature coefficient	%/°C	0
CDS	drain-source capacitance	farad	0
CGD	zero-bias gate-drain p-n capacitance	farad	0
CGS	zero-bias gate-source p-n capacitance	farad	0
EG	band gap voltage (barrier height)	eV	1.11
FC	forward-bias depletion capacitance coefficient		0.5
IS	gate p-n saturation current	amp	1E-14
KF	flicker noise coefficient		0
LEVEL	model index (1, 2, 3, 4, or 5)		1
N	gate p-n emission coefficient		1
RD	drain ohmic resistance	ohm	0
RG	gate ohmic resistance	ohm	0
RS	source ohmic resistance	ohm	0
TRD1	RD temperature coefficient (linear)	°C ⁻¹	0
TRG1	RG temperature coefficient (linear)	°C ⁻¹	0
TRS1	RS temperature coefficient (linear)	°C ⁻¹	0
T_ABS	absolute temperature	°C	
T_MEASURED	measured temperature	°C	
T_REL_GLOBAL	relative to current temperature	°C	
T_REL_LOCAL	relative to AKO model temperature	°C	
VBI	gate p-n potential	volt	1.0
VTO	pinchoff voltage	volt	-2.5
VTOTC	VTO temperature coefficient	volt/°C	0
XTI	IS temperature exponent		0

* For information on T_ABS, T_MEASURED, T_REL_GLOBAL, and T_REL_LOCAL, see the [.MODEL \(model definition\)](#) statement.

GaAsFET model parameters specific to model levels

Model parameter	Description	Units	Default
level 1			
ALPHA	saturation voltage parameter	volt ⁻¹	2.0
LAMBDA	channel-length modulation	volt ⁻¹	0
M	gate p-n grading coefficient		0.5
TAU	conduction current delay time	sec	0
level 2			
ALPHA	saturation voltage parameter	volt ⁻¹	2.0
B	doping tail extending parameter	volt ⁻¹	0.3
LAMBDA	channel-length modulation	volt ⁻¹	0
M	gate p-n grading coefficient		0.5
TAU	conduction current delay time	sec	0
VDELTA	capacitance transition voltage	volt	0.2
VMAX	capacitance limiting voltage	volt	0.5
level 3			
ALPHA	saturation voltage parameter	volt ⁻¹	2.0
BTRK	auxiliary parameter for Monte Carlo analysis*	amp/volt ³	0
DELTA	output feedback parameter	(amp·volt) ⁻¹	0
DVT	auxiliary parameter for Monte Carlo analysis*	volt	0
DVTT	auxiliary parameter for Monte Carlo analysis*	volt	0

GaAsFET model parameters specific to model levels (continued)

Model parameter	Description	Units	Default
GAMMA	static feedback parameter		0
M	gate p-n grading coefficient		0.5
Q	power-law parameter		2
TAU	conduction current delay time	sec	0
VDELTA	capacitance transition voltage	volt	0.2
VMAX	gate diode capacitance limiting voltage	volt	0.5
level 4			
ACGAM	capacitance modulation		0
DELTA	output feedback parameter	(amp·volt) ⁻¹	0
HFETA	high-frequency VGS feedback parameter		0
HFE1	HFGAM modulation by VGD	volt ⁻¹	0
HFE2	HFGAM modulation by VGS	volt ⁻¹	0
HFGAM	high-frequency VGD feedback parameter		0
HFG1	HFGAM modulation by VSG	volt ⁻¹	0
HFG2	HFGAM modulation by VDG	volt ⁻¹	0
IBD	gate junction breakdown current	amp	0
LAMBDA	channel-length modulation	volt ⁻¹	0
LFGAM	low-frequency feedback parameter		0
LFG1	LFGAM modulation by VSG	volt ⁻¹	0
LFG2	LFGAM modulation by VDG	volt ⁻¹	0
MVST	subthreshold modulation	volt ⁻¹	0
MXI	saturation knee-potential modulation		0
P	linear-region power law exponent		2
Q	power-law parameter		2
TAUD	relaxation time for thermal reduction	sec	0
TAUG	relaxation time for GAM feedback	sec	0
VBD	gate junction breakdown potential	volt	1

GaAsFET model parameters specific to model levels (continued)

Model parameter	Description	Units	Default
VST	subthreshold potential	volt	0
XC	capacitance pinchoff reduction factor		0
XI	saturation knee potential factor		1000
Z	knee transition parameter		0.5
level 5			
ALPHA	saturation voltage parameter	volt ⁻¹	2.0
ALPHATCE	ALPHA temperature coefficient	%/°C	0
BTRK	auxiliary parameter for Monte Carlo analysis*	amp/volt ³	0
CGDTCE	CGD temperature coefficient	°C ⁻¹	0
CGSTCE	CGS temperature coefficient	°C ⁻¹	0
DELTA	output feedback parameter	(amp·volt) ⁻¹	0
DVT	auxiliary parameter for Monte Carlo analysis*	volt	0
DVTT	auxiliary parameter for Monte Carlo analysis*	volt	0
GAMMA	static feedback parameter		0
GAMMATC	GAMMA temperature coefficient	°C ⁻¹	0
ND	subthreshold slope drain pull parameter	volt ⁻¹	0
NG	subthreshold slope gate parameter		0
Q	power-law parameter		2
TAU	conduction current delay time	sec	0
VBITC	VBI temperature coefficient	volt/°C	0
VDELTA	capacitance transition voltage	volt	0.2
VMAX	gate diode capacitance limiting voltage	volt	0.5

*See auxiliary model parameters BTRK, DVT, and DVTT.

Auxiliary model parameters **BTRK**, **DVT**, and **DVTT**

The parameters **BTRK**, **DVT**, and **DVTT** are auxiliary model parameters that are used to make the Monte Carlo analysis easier when using PSpice. In the analysis, these affect the parameters **VTO** and **BETA** as follows:

$$\mathbf{VTO} = \mathbf{VTO} + \mathbf{DVT} + \mathbf{DVTT}$$

$$\mathbf{BETA} = \mathbf{BETA} + \mathbf{BTRK} \cdot (\mathbf{DVT} + \mathbf{DVTT})$$

In Monte Carlo analysis, DEV tolerances placed on the **DVT** or **DVTT** cause variations in both **VTO** and **BETA**. PSpice does not support correlated DEV variations in Monte Carlo analysis. Without **DVT** and **DVTT**, DEV tolerances placed on **VTO** and **BETA** can result in independent variations; there is a definite correlation between **VTO** and **BETA** on real devices.

The **BTRK**, **DVT**, and **DVTT** parameters are also used to provide tracking between distinct GaAsFETs, such as between depletion mode and enhancement mode. PSpice already provides a limited mechanism for this, but only allows one DEV and one LOT (or LOT/n and DEV/n) tolerance per model parameter. The added parameters circumvent this restriction by extending the capability of Monte Carlo to model correlation between the critical model parameters.

GaAsFET equations

The equations in this section describe an N-channel GaAsFET. The following variables are used:

V_{gs} = intrinsic gate-intrinsic source voltage

V_{gd} = intrinsic gate-intrinsic drain voltage

V_{ds} = intrinsic drain-intrinsic source voltage

C_{ds} = drain-source capacitance

C_{gs} = gate-source capacitance

C_{gd} = gate-drain capacitance

V_t = $k \cdot T / q$ (thermal voltage)

k = Boltzmann constant

q = electron charge

T = analysis temperature ($^{\circ}\text{K}$)

T_{nom} = nominal temperature (set by using **.OPTIONS (analysis options) TNOM=**)



Positive current is current flowing into a terminal (for example, positive drain current flows from the drain through the channel to the source).

GaAsFET equations for DC current: all levels

I_g = gate current = $area \cdot (I_{gs} + I_{gd})$

I_d = drain current = $area \cdot (I_{drain} - I_{gd})$

I_s = source current = $area \cdot (-I_{drain} - I_{gs})$

where

I_{gs} = gate-source leakage current

I_{gd} = gate-drain leakage current

GaAsFET equations for DC current: specific to model levels

levels 1, 2, 3, and 5

$$I_{gs} = IS \cdot (e^{V_{gs}/(N \cdot V_t)} - 1)$$

$$I_{gd} = IS \cdot (e^{V_{gd}/(N \cdot V_t)} - 1)$$

level 4

$$I_{gs} = I_{gs_f} + I_{gs_r}$$

$$\text{where } I_{gs_f} = IS \cdot \left[e^{\frac{V_{gs}}{N \cdot V_t}} - 1 \right] + V_{gs} \cdot GMIN$$

$$\text{and } I_{gs_r} = IB D \cdot \left[1 - e^{-\frac{V_{gs}}{VBD}} \right]$$

$$I_{gd} = I_{gd_f} + I_{gd_r}$$

$$\text{where } I_{gd_f} = IS \cdot \left[e^{\frac{V_{gd}}{N \cdot V_t}} - 1 \right] + V_{gd} \cdot GMIN$$

$$\text{and } I_{gd_r} = IB D \cdot \left[1 - e^{-\frac{V_{gd}}{VBD}} \right]$$

level 1: Idrain

Normal mode: $V_{ds} \geq 0$

Case 1

for cutoff region: $V_{gs} - V_{TO} < 0$

$$\text{then: } I_{drain} = 0$$

Case 2

for linear & saturation region: $V_{gs} - V_{TO} \geq 0$

$$\text{then: } I_{drain} = BETA \cdot (1 + LAMBDA \cdot V_{ds}) \cdot (V_{gs} - V_{TO})^2 \cdot \tanh(ALPHA \cdot V_{ds})$$

Inverted mode: $V_{ds} < 0$

Switch the source and drain in the Normal mode equations.

GaAsFET equations for DC current: specific to model levels

level 2: Idrain

Normal mode: $V_{ds} \geq 0$

Case 1

for cutoff region: $V_{gs} - V_{TO} < 0$

then: $I_{drain} = 0$

Case 2

for linear & saturation region: $V_{gs} - V_{TO} \geq 0$

then: $I_{drain} = \text{BETA} \cdot (1 + \text{LAMBDA} \cdot V_{ds}) \cdot (V_{gs} - V_{TO})^2 \cdot K_t / (1 + \text{B} \cdot (V_{gs} - V_{TO}))$

where

K_t is a polynomial approximation of *tanh*.

for linear region:

$0 < V_{ds} < 3/\text{ALPHA}$

then:

$K_t = 1 - (1 - V_{ds} \cdot \text{ALPHA}/3)^3$

for saturation region:

$V_{ds} \geq 3/\text{ALPHA}$

then:

$K_t = 1$

Inverted mode: $V_{ds} < 0$

Switch the source and drain in the Normal mode equations.

GaAsFET equations for DC current: specific to model levels

level 3: Idrain

Normal mode: $V_{ds} \geq 0$

Case 1

for cutoff region:

$$V_{gs} - V_{to} < 0$$

then:

$$I_{drain} = 0$$

Case 2

for linear & saturation region:

$$V_{gs} - V_{to} \geq 0$$

then:

$$I_{drain} = I_{dso} / (1 + \mathbf{DELTA} \cdot V_{ds} \cdot I_{dso})$$

where

$$I_{dso} = \mathbf{BETA} \cdot (V_{gs} - V_{to})^{\mathbf{A}} \cdot K_t$$

and

$$V_{to} = \mathbf{VTO} - \mathbf{GAMMA} \cdot V_{ds}$$

where

K_t is the same as for Level 2.

Inverted mode: $V_{ds} < 0$

Switch the source and drain in the Normal Mode equations.

level 4: Idrain

Normal mode: $V_{ds} \geq 0$

$$I_{drain} = \frac{I_{ds}}{1 + \mathbf{DELTA} \cdot P_{avg}}$$

$$V_{gst} = V_{gs} - \mathbf{VTO} - \gamma_{lf} \cdot V_{gd_{avg}} - \gamma_{hf} \cdot (V_{gd} - V_{gd_{avg}}) - \eta_{hf} \cdot (V_{gs} - V_{gs_{avg}})$$

$$V_{dst} = V_{ds}$$

GaAsFET equations for DC current: specific to model levels

Inverted mode: $V_{ds} < 0$

$$I_{\text{drain}} = \frac{-I_{\text{ds}}}{1 + \text{DELTA} \cdot P_{\text{avg}}}$$

$$V_{\text{gst}} = V_{\text{gd}} - \text{VTO} - \gamma_{\text{lf}} \cdot V_{\text{gd}_{\text{avg}}} - \gamma_{\text{hf}} \cdot (V_{\text{gs}} - V_{\text{gd}_{\text{avg}}}) - \eta_{\text{hf}} \cdot (V_{\text{gd}} - V_{\text{gs}_{\text{avg}}})$$

$$V_{\text{dst}} = -V_{\text{ds}}$$

where

$$I_{\text{ds}} = \text{BETA} \cdot (1 + \text{LAMBDA} \cdot V_{\text{dst}}) \cdot (V_{\text{gt}}^{\text{Q}} - (V_{\text{gt}} - V_{\text{dt}})^{\text{Q}})$$

$$P_{\text{avg}} = V_{\text{ds}} \cdot I_{\text{ds}} - \text{TAUD} \cdot \text{d/dt } P_{\text{avg}}$$

$$\gamma_{\text{lf}} = \text{LFGAM} - \text{LFG1} \cdot V_{\text{gs}_{\text{avg}}} - \text{LFG2} \cdot V_{\text{gd}_{\text{avg}}}$$

$$V_{\text{gd}_{\text{avg}}} = \begin{cases} V_{\text{gd}} - \text{TAUG} \cdot \text{d/dt } V_{\text{gd}_{\text{avg}}} & \text{if: } V_{\text{gd}} \leq V_{\text{gs}} \\ V_{\text{gs}} - \text{TAUG} \cdot \text{d/dt } V_{\text{gd}_{\text{avg}}} & \text{if: } V_{\text{gs}} < V_{\text{gd}} \end{cases}$$

$$\gamma_{\text{hf}} = \text{HFGAM} - \text{HFG1} \cdot V_{\text{gs}_{\text{avg}}} - \text{HFG2} \cdot V_{\text{gd}_{\text{avg}}}$$

$$\eta_{\text{hf}} = \text{HFETA} + \text{HFE1} \cdot V_{\text{gd}_{\text{avg}}} + \text{HFE2} \cdot V_{\text{gs}_{\text{avg}}}$$

$$V_{\text{gs}_{\text{avg}}} = \begin{cases} V_{\text{gs}} - \text{TAUG} \cdot \text{d/dt } V_{\text{gs}_{\text{avg}}} & \text{if: } V_{\text{gd}} \leq V_{\text{gs}} \\ V_{\text{gd}} - \text{TAUG} \cdot \text{d/dt } V_{\text{gs}_{\text{avg}}} & \text{if: } V_{\text{gs}} < V_{\text{gd}} \end{cases}$$

$$V_{\text{gt}} = \text{VST} \cdot (1 + \text{MVST} \cdot V_{\text{dst}}) \cdot \ln\left(\exp\left(\frac{V_{\text{gst}}}{\text{VST} \cdot (1 + \text{MVST} \cdot V_{\text{dst}})}\right) + 1\right)$$

$$V_{\text{dt}} = \frac{1}{2} \cdot \sqrt{(V_{\text{dp}} \cdot \sqrt{1 + \bar{\mathbf{Z}}} + V_{\text{sat}})^2 + \mathbf{Z} \cdot V_{\text{sat}}^2} - \frac{1}{2} \cdot \sqrt{(V_{\text{dp}} \cdot \sqrt{1 + \bar{\mathbf{Z}}} - V_{\text{sat}})^2 + \mathbf{Z} \cdot V_{\text{sat}}^2}$$

$$V_{\text{dp}} = V_{\text{dst}} \cdot \frac{\mathbf{P}}{\mathbf{Q}} \cdot \left(\frac{V_{\text{gt}}}{\mathbf{VBI} - \text{VTO}}\right)^{\mathbf{P} - \mathbf{Q}}$$

$$V_{\text{sat}} = \frac{V_{\text{gt}} \cdot (V_{\text{gt}} \cdot \mathbf{MXI} + \mathbf{XI} \cdot (\mathbf{VBI} - \text{VTO}))}{V_{\text{gt}} + V_{\text{gt}} \cdot \mathbf{MXI} + \mathbf{XI} \cdot (\mathbf{VBI} - \text{VTO})}$$

GaAsFET equations for DC current: specific to model levels

level 5: Idrain

Normal mode: $V_{ds} \geq 0$

Case 1

For cutoff region:

$$V_{gs} - V_{TO} + \mathbf{GAMMA} \cdot V_{ds} \leq 0 \text{ AND } \mathbf{NG} + \mathbf{ND} \cdot V_{ds} = 0$$

then:

$$I_{drain} = 0$$

Case 2

For linear and saturation region:

$$V_{gs} - V_{TO} + \mathbf{GAMMA} \cdot V_{ds} > 0 \quad \text{OR} \quad \mathbf{NG} + \mathbf{ND} \cdot V_{ds} \neq 0$$

then:

$$I_{drain} = I_{dso} / (1 + \mathbf{DELTA} \cdot V_{ds} \cdot I_{dso})$$

where

$$I_{dso} = \mathbf{BETA} \cdot (V_{gs})^{\mathbf{Q}} \cdot \frac{\mathbf{ALPHA} \cdot V_{ds}}{\sqrt{1 + (\mathbf{ALPHA} \cdot V_{ds})^2}}$$

$$V_{gs} = \mathbf{Q} \cdot V_{st} \cdot \log\left(\exp\left(\frac{V_{gs} - (V_{TO} + \mathbf{GAMMA} \cdot V_{ds})}{\mathbf{Q} \cdot V_{st}}\right) + 1\right)$$

$$V_{st} = (\mathbf{NG} + \mathbf{ND} \cdot V_{ds}) \cdot \left(\frac{kT}{q}\right)$$

Inverted mode: $V_{ds} < 0$

Switch the source and drain in the Normal mode equations.

GaAsFET equations for capacitance

All capacitances are between terminals of the intrinsic GaAsFET (i.e., to the inside of the ohmic drain, source, and gate resistances).

all levels

For all conditions: $C_{ds} = area \cdot CDS$

level 1

For: $V_{gs} \leq FC \cdot VBI$ $C_{gs} = area \cdot CGS \cdot (1 - V_{gs}/VBI)^M$

For: $V_{gs} > FC \cdot VBI$ $C_{gs} = area \cdot CGS \cdot (1 - FC)^{-(1+M)} \cdot (1 - FC \cdot (1+M) + M \cdot V_{gs}/VBI)$

For: $V_{gd} \leq FC \cdot VBI$ $C_{gd} = area \cdot CGD \cdot (1 - V_{gd}/VBI)^M$

For: $V_{gd} > FC \cdot VBI$ $C_{gd} = area \cdot CGD \cdot (1 - FC)^{-(1+M)} \cdot (1 - FC \cdot (1+M) + M \cdot V_{gd}/VBI)$

levels 2, 3, and 5

$$C_{gs} = area \cdot (CGS \cdot K2 \cdot K1 / (1 - V_n/VBI)^{1/2} + CGD \cdot K3)$$

$$C_{gd} = area \cdot (CGS \cdot K3 \cdot K1 / (1 - V_n/VBI)^{1/2} + CGD \cdot K2)$$

where:

$$K1 = (1 + (V_e - VTO) / ((V_e - VTO)^2 + VDELTA2)^{1/2}) / 2$$

$$K2 = (1 + (V_{gs} - V_{gd}) / ((V_{gs} - V_{gd})^2 + (1/ALPHA)^2)^{1/2}) / 2$$

$$K3 = (1 - (V_{gs} - V_{gd}) / ((V_{gs} - V_{gd})^2 + (1/ALPHA)^2)^{1/2}) / 2$$

$$V_e = (V_{gs} + V_{gd} + ((V_{gs} - V_{gd})^2 + (1/ALPHA)^2)^{1/2}) / 2$$

$$\text{if: } (V_e + VTO + ((V_e - VTO)^2 + VDELTA2)^{1/2}) / 2 < VMAX$$

$$\text{then: } V_n = (V_e + VTO + ((V_e - VTO)^2 + VDELTA2)^{1/2}) / 2$$

$$\text{else: } V_n = VMAX$$

level 4



Charge storage is implemented using a modified Statz model.

$$C_{gs} = \frac{1}{2} \cdot K1 \cdot \left(1 + 2\mathbf{ACGAM} + \frac{V_{ds}}{\sqrt{V_{ds}^2 + \alpha^2}} \right) + \frac{1}{2} \cdot \mathbf{CGD} \cdot \text{area} \cdot \left(1 + 2\mathbf{ACGAM} - \frac{V_{ds}}{\sqrt{V_{ds}^2 + \alpha^2}} \right)$$

$$C_{gd} = \frac{1}{2} \cdot K1 \cdot \left(1 - 2\mathbf{ACGAM} - \frac{V_{ds}}{\sqrt{V_{ds}^2 + \alpha^2}} \right) + \frac{1}{2} \cdot \mathbf{CGD} \cdot \text{area} \cdot \left(1 - 2\mathbf{ACGAM} + \frac{V_{ds}}{\sqrt{V_{ds}^2 + \alpha^2}} \right)$$

where:

$$K1 = \frac{1}{2} \frac{\mathbf{CGS}}{\sqrt{1 - V_{ge}/\mathbf{VBI}}} \left[1 + \mathbf{XC} + (1 - \mathbf{XC}) \frac{V_{gn}}{\sqrt{V_{gn}^2 + 0.2^2}} \right]$$

if: $V_x < \mathbf{FC} \cdot \mathbf{VBI}$ then: $V_{ge} = V_x$

if: $V_x \geq \mathbf{FC} \cdot \mathbf{VBI}$ then: $V_{ge} = \mathbf{VBI} \left[1 - \frac{4(1 - \mathbf{FC})^3}{\left(2 - 3\mathbf{FC} + \frac{V_x}{\mathbf{VBI}} \right)^2} \right]$

$$V_x = V_{gs} + \mathbf{ACGAM} \cdot V_{ds} - \frac{1}{2}(V_{gn} - \sqrt{V_{gn}^2 + 0.2^2}) - \frac{1}{2}(V_{gn} - \sqrt{V_{gn}^2 + 0.2^2})$$

$$V_{gn} = \left[(V_{gs} + \mathbf{ACGAM}) \cdot V_{ds} - \mathbf{VTO} - \frac{1}{2}(V_{ds} - \sqrt{V_{ds}^2 + \alpha^2}) \right] \cdot (1 - \mathbf{XC})$$

where:

$$\alpha = \frac{\mathbf{XI}}{\mathbf{XI} + 1} \cdot \frac{\mathbf{VBI} - \mathbf{VTO}}{2}$$



If the source and drain potentials swap, the model reverses over a range set by α . The model maintains a straight line relation between gate-source capacitance and gate bias in the region $V_{gs} > \mathbf{FC} \cdot \mathbf{VBI}$.

GaAsFET equations for temperature effect

all levels

$$V_{TO}(T) = V_{TO} + V_{TOTC} \cdot (T - T_{nom})$$

$$BETA(T) = BETA \cdot 1.01^{BETATCE \cdot (T - T_{nom})}$$

$$IS(T) = IS \cdot e^{(T/T_{nom} - 1) \cdot EG / (N \cdot V_t)} \cdot (T/T_{nom})^{XTI/N}$$

$$RG(T) = RG \cdot (1 + TRG1 \cdot (T - T_{nom}))$$

$$RD(T) = RD \cdot (1 + TRD1 \cdot (T - T_{nom}))$$

$$RS(T) = RS \cdot (1 + TRS1 \cdot (T - T_{nom}))$$

levels 1, 2, 3, and 4

$$CGS(T) = CGS \cdot (1 + M \cdot (.0004 \cdot (T - T_{nom}) + (1 - VBI(T)/VBI)))$$

$$CGD(T) = CGD \cdot (1 + M \cdot (.0004 \cdot (T - T_{nom}) + (1 - VBI(T)/VBI)))$$

$$VBI(T) = VBI \cdot T/T_{nom} - 3 \cdot V_t \cdot \ln(T/T_{nom}) - EG(T_{nom}) \cdot T/T_{nom} + EG(T)$$

where:

$$EG(T) = \text{silicon bandgap energy} = 1.16 - .000702 \cdot T^2 / (T + 1108)$$

level 5

$$ALPHA(T) = ALPHA \cdot 1.01^{ALPHATCE \cdot (T - T_{nom})}$$

$$GAMMA(T) = GAMMA + GAMMATC \cdot (T - T_{nom})$$

$$VBI(T) = VBI + VBITC \cdot (T - T_{nom})$$

$$VMAX(T) = VMAX + VBITC \cdot (T - T_{nom})$$

$$CGS(T) = CGS \cdot (1 + CGSTCE \cdot (T - T_{nom}))$$

$$CGD(T) = CGD \cdot (1 + CGDTCE \cdot (T - T_{nom}))$$

GaAsFET equations for noise

Noise is calculated assuming a 1.0-hertz bandwidth, using the following spectral power densities (per unit bandwidth).

parasitic resistance thermal noise

$$I_s^2 = 4 \cdot k \cdot T / (R_S / \text{area})$$

$$I_d^2 = 4 \cdot k \cdot T / (R_D / \text{area})$$

$$I_g^2 = 4 \cdot k \cdot T / R_G$$

intrinsic GaAsFET shot and flicker noise

$$I_d^2 = 4 \cdot k \cdot T \cdot g_m \cdot 2/3 + K_F \cdot I_d^{AF} / \text{FREQUENCY}$$

where:

$$g_m = dI_{\text{drain}} / dV_{\text{gs}} \text{ (at the DC bias point)}$$

References

For more information on this GaAsFET model, refer to:

- [1] W. R. Curtice, "A MESFET model for use in the design of GaAs integrated circuits," IEEE Transactions on Microwave Theory and Techniques, MTT-28, 448-456 (1980).
- [2] S. E. Sussman-Fort, S. Narasimhan, and K. Mayaram, "A complete GaAs MESFET computer model for SPICE," IEEE Transactions on Microwave Theory and Techniques, MTT-32, 471-473 (1984).
- [3] H. Statz, P. Newman, I. W. Smith, R. A. Pucel, and H. A. Haus, "GaAs FET Device and Circuit Simulation in SPICE," IEEE Transactions on Electron Devices, ED-34, 160-169 (1987).
- [4] A. J. McCamant, G. D. McCormack, and D. H. Smith, "An Improved GaAs MESFET Model for SPICE," IEEE Transactions on Microwave Theory and Techniques, vol. 38, no. 6, 822-824 (June 1990).
- [5] A. E. Parker and D. J. Skellern "Improved MESFET Characterization for Analog Circuit Design and Analysis," 1992 IEEE GaAs IC Symposium Technical Digest, pp. 225-228, Miami Beach, October 4-7, 1992.
- [6] A. E. Parker, "Device Characterization and Circuit Design for High Performance Microwave Applications," IEE EEDMO'93, London, October 18, 1993.
- [7] D. H. Smith, "An Improved Model for GaAs MESFETs," Publication forthcoming. (Copies available from TriQuint Semiconductors Corporation or Orcad.)

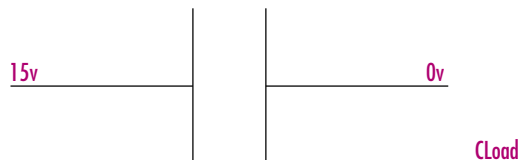


Capacitor

General form C<name> <(+) node> <(-) node> [model name] <value> [IC=<initial value>]

Examples
 CLOAD 15 0 20pF
 C2 1 2 .2E-12 IC=1.5V
 CFDBCK 3 33 CMOD 10pF

Model form .MODEL <model name> CAP [model parameters]



Arguments and options

(+) and (-) nodes

Define the polarity when the capacitor has a positive voltage across it. The first node listed (or pin one in Capture) is defined as positive. The voltage across the component is therefore defined as the first node voltage, less the second node voltage.

[model name]

If [model name] is left out, then <value> is the capacitance in farads. If [model name] is specified, then the value is given by the model parameters; see [Capacitor value formula](#).

<initial value>

The initial voltage across the capacitor during the bias point calculation. It can also be specified in a circuit file using a .IC command as follows:

```
.IC V(+node, -node) <initial value>
```

Comments

Positive current flows from the (+) node through the capacitor to the (-) node. Current flow from the first node through the component to the second node is considered positive.

For details on using the .IC command in a circuit file, see [.IC \(initial bias point condition\)](#) and refer to your PSpice user's guide for more information.

The initial voltage across the capacitor can also be set in Capture by using the IC1 part if the capacitor is connected to ground or by using the IC2 part for setting the initial conditions between two nodes. These parts can be found in SPECIAL.OLB.

For more information about setting initial conditions, refer to the [Capture User's Guide](#) if you are using Capture, or refer to your PSpice user's guide if you are using PSpice.

Capture parts

For standard C parts, the effective value of the part is set directly by the VALUE property. For the variable capacitor, C_VAR, the effective value is the product of the base value (VALUE) and multiplier (SET).

In general, capacitors should have positive component values (VALUE property). In all cases, components must not be given a value of zero.

However, there are cases when negative component values are desired. This occurs most often in filter designs that analyze an RLC circuit equivalent to a real circuit. When transforming from the real to the RLC equivalent, it is possible to end up with negative component values.

PSpice A/D allows negative component values for bias point, DC sweep, AC, and noise analyses. A transient analysis may fail for a circuit with negative components. Negative capacitors may create instabilities in time that the analysis cannot handle.

Part name	Model type	Property	Property description
C	capacitor	VALUE	capacitance
		IC	initial voltage across the capacitor during bias point calculation
C_VAR		VALUE	base capacitance
		SET	multiplier

Breakout parts

For non-stock passive and semiconductor devices, Capture provides a set of breakout parts designed for customizing model parameters for simulation. These are useful for setting up Monte Carlo and worst-case analyses with device and/or lot tolerances specified for individual model parameters. Another approach is to use the model editor to derive an instance model and customize this. For example, you could add device and/or lot tolerances to model parameters.

Basic breakout part names consist of the intrinsic PSpice A/D device letter plus the suffix BREAK. By default, the model name is the same as the part name and references the appropriate device model with all parameters set at their default. For instance, the DBREAK part references the DBREAK model which is derived from the intrinsic PSpice A/D D model (.MODEL DBREAK D).

For breakout part CBREAK, the effective value is computed from a formula that is a function of the specified VALUE property.

Device type	Part name	Part library	Property	Property description
capacitor	CBREAK	BREAKOUT.OLB	VALUE	capacitance
			IC	initial voltage across the capacitor during bias point calculation
			MODEL	CAP model name

Capacitor model parameters

Model parameters*	Description	Units	Default
C	capacitance multiplier		1.0
TC1	linear temperature coefficient	°C ⁻¹	0.0
TC2	quadratic temperature coefficient	°C ⁻²	0.0
T_ABS	absolute temperature	°C	
T_MEASURED	measured temperature	°C	
T_REL_GLOBAL	relative to current temperature	°C	
T_REL_LOCAL	relative to AKO model temperature	°C	
VC1	linear voltage coefficient	volt ⁻¹	0.0
VC2	quadratic voltage coefficient	volt ⁻²	0.0

* For information on **T_MEASURED**, **T_ABS**, **T_REL_GLOBAL**, and **T_REL_LOCAL**, see [.MODEL \(model definition\)](#).

Capacitor equations

Capacitor value formula

If [model name] is specified, then the value is given by:

$$\langle \text{value} \rangle \cdot C \cdot (1 + \mathbf{VC1} \cdot V + \mathbf{VC2} \cdot V^2) \cdot (1 + \mathbf{TC1} \cdot (T - T_{nom}) + \mathbf{TC2} \cdot (T - T_{nom})^2)$$

where <value> is normally positive (though it can be negative, but not zero). T_{nom} is the nominal temperature (set using TNOM option).

Capacitor equation for noise

The capacitor does not have a noise model.



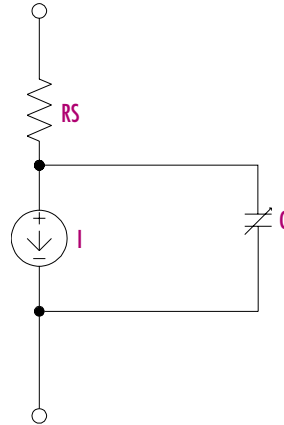
Diode

General form D<name> <(+) node> <(-) node> <model name> [area value]

Examples
 DCLAMP 14 0 DMOD
 D13 15 17 SWITCH 1.5

Model form .MODEL <model name> D [model parameters]

Description The diode is modeled as an ohmic resistance (**RS/area**) in series with an intrinsic diode. Positive current is current flowing from the anode through the diode to the cathode.



Arguments and options

<(+) node>
 The anode.

<(-) node>
 The cathode.

[area value]
 Scales **IS**, **ISR**, **IKF**, **RS**, **CJO**, and **IBV**, and has a default value of 1.
IBV and **BV** are both specified as positive values.

Capture parts

The following table lists the set of diode breakout parts designed for customizing model parameters for simulation. These are useful for setting up Monte Carlo and worst-case analyses with device and/or lot tolerances specified for individual model parameters.

Part name	Model type	Property	Property description
DBREAK DBREAK3 DBREAKCR DBREAKVV DBREAKZ	D, X	MODEL	D model name

Setting operating temperature

Operating temperature can be set to be different from the global circuit temperature by defining one of the model parameters: T_ABS, T_REL_GLOBAL, or T_REL_LOCAL. Additionally, model parameters can be assigned unique measurement temperatures using the T_MEASURED model parameter. For more information, see [Special considerations](#).

Diode model parameters

Model parameters*	Description	Unit	Default
AF	flicker noise exponent		1.0
BV	reverse breakdown knee voltage	volt	infinite
CJO	zero-bias p-n capacitance	farad	0.0
EG	bandgap voltage (barrier height)	eV	1.11
FC	forward-bias depletion capacitance coefficient		0.5
IBVL	low-level reverse breakdown knee current	amp	0.0
IBV	reverse breakdown knee current	amp	1E-10
IKF	high-injection knee current	amp	infinite
IS	saturation current	amp	1E-14
ISR	recombination current parameter	amp	0.0
KF	flicker noise coefficient		0.0
M	p-n grading coefficient		0.5
N	emission coefficient		1.0
NBV	reverse breakdown ideality factor		1.0
NBVL	low-level reverse breakdown ideality factor		1.0
NR	emission coefficient for isr		2.0
RS	parasitic resistance	ohm	0.0
TBV1	bv temperature coefficient (linear)	°C ⁻¹	0.0
TBV2	bv temperature coefficient (quadratic)	°C ⁻²	0.0
TIKF	ikf temperature coefficient (linear)	°C ⁻¹	0.0
TRS1	rs temperature coefficient (linear)	°C ⁻¹	0.0
TRS2	rs temperature coefficient (quadratic)	°C ⁻²	0.0
TT	transit time	sec	0.0
T_ABS	absolute temperature	°C	
T_MEASURED	measured temperature	°C	
T_REL_GLOBAL	relative to current temperature	°C	
T_REL_LOCAL	Relative to AKO model temperature	°C	
VJ	<i>p-n</i> potential	volt	1.0
XTI	IS temperature exponent		3.0

* For more information on T_MEASURED, T_ABS, T_REL_GLOBAL, and T_REL_LOCAL, see [.MODEL \(model definition\)](#).

Diode equations

The equations in this section use the following variables:

V_d	= voltage across the intrinsic diode only
V_t	= $k \cdot T / q$ (thermal voltage)
k	= Boltzmann's constant
q	= electron charge
T	= analysis temperature (°K)
T_{nom}	= nominal temperature (set using TNOM option)

Other variables are listed in [Diode model parameters](#).

Diode equations for DC current

$$I_d = area \cdot (I_{fwd} - I_{rev})$$

$$I_{fwd} = \text{forward current} = I_{nrm} \cdot K_{inj} + I_{rec} \cdot K_{gen}$$

$$I_{nrm} = \text{normal current} = IS \cdot (e^{V_d / (N \cdot V_t)} - 1)$$

if: $IKF > 0$

$$\text{then: } K_{inj} = \text{high-injection factor} = (IKF / (IKF + I_{nrm}))^{1/2}$$

else: $K_{inj} = 1$

$$I_{rec} = \text{recombination current} = ISR \cdot (e^{V_d / (NR \cdot V_t)} - 1)$$

$$K_{gen} = \text{generation factor} = ((1 - V_d / V_J)^2 + 0.005)^{M/2}$$

$$I_{rev} = \text{reverse current} = I_{rev_high} + I_{rev_low}$$

$$I_{rev_high} = IBV \cdot e^{-(V_d + BV) / (NBV \cdot V_t)}$$

$$I_{rev_low} = IBVL \cdot e^{-(V_d + BV) / (NBVL \cdot V_t)}$$

Diode equations for capacitance

$$C_d = C_t + area \cdot C_j$$

$$C_t = \text{transit time capacitance} = TT \cdot G_d$$

$$G_d = \text{DC conductance} = area \cdot \frac{d(I_{nrm} \cdot K_{inj} + I_{rec} \cdot K_{gen})}{dV_d}$$

K_{inj} = high-injection factor

$$C_j = CJO \cdot (1 - V_d / V_J)^{-M} \quad \text{IF: } V_d \leq FC \cdot V_J$$

$$C_j = CJO \cdot (1 - FC)^{-(1+M)} \cdot (1 - FC \cdot (1+M) + M \cdot V_d / V_J) \quad \text{IF: } V_d > FC \cdot V_J$$

C_j = junction capacitance

Diode equations for temperature effects

$$IS(T) = IS \cdot e^{(T/Tnom-1) \cdot EG/(N \cdot Vt)} \cdot (T/Tnom)^{XTI/N}$$

$$ISR(T) = ISR \cdot e^{(T/Tnom-1) \cdot EG/(NR \cdot Vt)} \cdot (T/Tnom)^{XTI/NR}$$

$$IKF(T) = IKF \cdot (1 + TIKF \cdot (T - Tnom))$$

$$BV(T) = BV \cdot (1 + TBV1 \cdot (T - Tnom) + TBV2 \cdot (T - Tnom)^2)$$

$$RS(T) = RS \cdot (1 + TRS1 \cdot (T - Tnom) + TRS2 \cdot (T - Tnom)^2)$$

$$VJ(T) = VJ \cdot T/Tnom - 3 \cdot Vt \cdot \ln(T/Tnom) - Eg(Tnom) \cdot T/Tnom + Eg(T)$$

$$Eg(T) = \text{silicon bandgap energy} = 1.16 - .000702 \cdot T^2/(T+1108)$$

$$CJO(T) = CJO \cdot (1 + M \cdot (.0004 \cdot (T - Tnom) + (1 - VJ(T)/VJ)))$$

Diode equations for noise

Noise is calculated assuming a 1.0-hertz bandwidth, using the following spectral power densities (per unit bandwidth).

parasitic resistance thermal noise

$$In^2 = 4 \cdot k \cdot T / (RS/area)$$

intrinsic diode shot and flicker noise

$$In^2 = 2 \cdot q \cdot Id + KF \cdot Id^{AF} / FREQUENCY$$

References

For a detailed description of p-n junction physics, refer to:

[1] A. S. Grove, Physics and Technology of Semiconductor Devices, John Wiley and Sons, Inc., 1967.

Also, for a generally detailed discussion of the U.C. Berkeley SPICE models, including the diode device, refer to:

[2] P. Antognetti and G. Massobrio, Semiconductor Device Modeling with SPICE, McGraw-Hill, 1988.



Voltage-controlled voltage source

Voltage-controlled current source

General form

```
E<name> <(+) node> <(-) node> <(+) controlling node> <(-) controlling node>
<gain>

E<name> <(+) node> <(-) node> POLY(<value>)
+ < <(+) controlling node> <(-) controlling node> >*
+ < <polynomial coefficient value> >*

E<name> <(+) <node> <(-) node> VALUE = { <expression> }
E<name> <(+) <node> <(-) node> TABLE { <expression> } =
+ < <input value>,<output value> >*

E<name> <(+) node> <(-) node> LAPLACE { <expression> } =
+ { <transform> }

E<name> <(+) node> <(-) node> FREQ { <expression> } = [KEYWORD]
+ < <frequency value>,<magnitude value>,<phase value> >*
+ [DELAY = <delay value>]

E<name> <(+) node> <(-) node> CHEBYSHEV { <expression> } =
+ <[LP] [HP] [BP] [BR]>,<cutoff frequencies>*,<attenuation>*
```

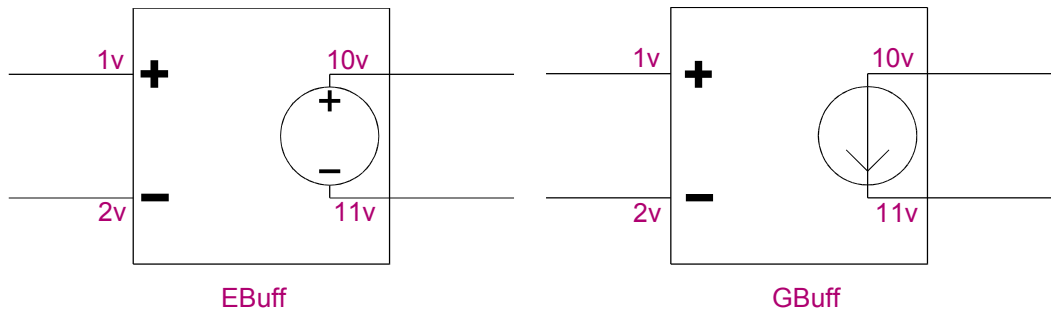
Examples

```
EBUFF 1 2 10 11 1.0
EAMP 13 0 POLY(1) 26 0 0 500
ENONLIN 100 101 POLY(2) 3 0 4 0 0.0 13.6 0.2 0.005
ESQROOT 5 0 VALUE = {5V*SQRT(V(3,2))}
ET2 2 0 TABLE {V(ANODE,CATHODE)} = (0,0) (30,1)
ERC 5 0 LAPLACE {V(10)} = {1/(1+.001*s)}
ELOWPASS 5 0 FREQ {V(10)}=(0,0,0)(5kHz, 0,0)(6kHz -60, 0) DELAY=3.2ms
ELOWPASS 5 0 CHEBYSHEV {V(10)} = LP 800 1.2K .1dB 50dB

GBUFF 1 2 10 11 1.0
GAMP 13 0 POLY(1) 26 0 0 500
GNONLIN 100 101 POLY(2) 3 0 4 0 0.0 13.6 0.2 0.005
GPSK 11 6 VALUE = {5MA*SIN(6.28*10kHz*TIME+V(3))}
GT ANODE CATHODE VALUE = {200E-6*PWR(V(1)*V(2),1.5)}
GLOSSY 5 0 LAPLACE {V(10)} = {exp(-sqrt(C*s*(R+L*s)))}
```

Description

The voltage-controlled voltage source (E) and the voltage-controlled current source (G) devices have the same syntax. For a voltage-controlled current source just substitute G for E. G generates a current, whereas E generates a voltage.



Arguments and options

POLY(<value>)

Specifies the number of dimensions of the polynomial. The number of pairs of controlling nodes must be equal to the number of dimensions.

(+) and (-) nodes

Output nodes. Positive current flows from the (+) node through the source to the (-) node.

The <(+) controlling node> and <(-) controlling node>

Are in pairs and define a set of controlling voltages. A particular node can appear more than once, and the output and controlling nodes need not be different. The TABLE form has a maximum size of 2048 input/output value pairs.

FREQ

If a DELAY value is specified, the simulator modifies the phases in the FREQ table to incorporate the specified delay value. This is useful for cases of tables which the simulator identifies as being non-causal. When this occurs, the simulator provides a delay value necessary to make the table causal. The new syntax allows this value to be specified in subsequent simulation runs, without requiring the user to modify the table.

If a KEYWORD is specified for FREQ tables, it alters the values in the table. The KEYWORD can be one of the following:

- MAG causes magnitude of frequency response to be interpreted as a raw value instead of dB.
- DB causes magnitude to be interpreted as dB (the default).
- RAD causes phase to be interpreted in radians.
- DEG causes phase to be interpreted in degrees (the default).
- R_I causes magnitude and phase values to be interpreted as real and imaginary magnitudes.

Comments

The first form and the first two examples apply to the linear case; the second form and the third example are for the nonlinear case. The last five forms and examples are analog behavioral modeling (ABM) that have expression, look up table, Laplace transform, frequency response, and filtering. Refer to your PSpice user's guide for more information on analog behavioral modeling.

Chebyshev filters have two attenuation values, given in dB, which specify the pass band ripple and the stop band attenuation. They can be given in either order, but must appear after all of the cutoff frequencies have been given. Low pass (LP) and high pass (HP) have two cutoff frequencies, specifying the pass band and stop band edges, while band pass (BP) and band reject (BR) filters have four. Again, these can be given in any order.



You can get a list of the filter Laplace coefficients for each stage by enabling the LIST option in the Simulation Settings dialog box. (Click the Options tab, then select the Output file Category and select Device Summary.) The output is written to the .out file after the simulation is complete.

For the linear case, there are two controlling nodes and these are followed by the gain. For all cases, including the nonlinear case (POLY), refer to your PSpice user's guide.

Expressions **cannot** be used for linear and polynomial coefficient values in a voltage-controlled voltage source device statement.

Basic SPICE polynomial expressions (POLY)

PSpice A/D (and SPICE) use the following syntax:

```
<controlled source> <connecting nodes>
+POLY(<dimension>) <controlling input> <coefficients>
```

where

<controlled source>	is <[E][F][G][H]device name>, meaning the device type is one of E, F, G, or H
<connecting nodes>	specifies <(+node_name, -node_name)> pair between which the device is connected
<dimension>	is the dimension <value> of the polynomial describing the controlling function
<controlling input>	specifies <(+node_name, -node_name)>* pairs used as input to the voltage controlled source (device types E and G), or <V device name>* for the current controlled source (device types F and H), and where the number of controlling inputs for either case equals <dimension>
<coefficients>	specifies the coefficient <values>* for the polynomial transfer function

If the source is one-dimensional (there is only one controlling source), POLY(1) is required unless the linear form is used. If the source is multidimensional (there is more than one controlling source), the dimension needs to be included in the keyword, for instance POLY(2).

Caution must be exercised with the POLY form. For instance,

```
EWRONG 1 0 POLY(1) (1,0) .5 1.0
```

tries to set node 1 to .5 volts greater than node 1. In this case, any analyses which you specify will fail to calculate a result. In particular, PSpice A/D cannot calculate the bias point for a circuit containing EWRONG. This also applies to the VALUE form of EWRONG:

```
(EWRONG 1 0 VALUE = {0.5 * V(1)}).
```

Basic controlled source properties

Part name	Property	Description
E	GAIN	gain
F		gain
G		transconductance
H		transresistance
EPOLY, FPOLY, GPOLY, HPOLY	COEFF	polynomial coefficient

PSpice A/D has a built-in capability allowing controlled sources to be defined with a polynomial transfer function of any degree and any dimension. Polynomials have associated

coefficients for each term. Consider a voltage-controlled source with voltages V_1, V_2, \dots, V_n . The coefficients are associated with the polynomial according to this convention:

$$\begin{aligned}
 V_{out} = & P_0 + \\
 & P_1 \cdot V_1 + P_2 \cdot V_2 + \dots + P_n \cdot V_n + \\
 & P_{n+1} \cdot V_1 \cdot V_1 + P_{n+2} \cdot V_1 \cdot V_2 + \dots + P_{n+n} \cdot V_1 \cdot V_n + \\
 & P_{2n+1} \cdot V_2 \cdot V_2 + P_{2n+2} \cdot V_2 \cdot V_3 + \dots + P_{2n+n-1} \cdot V_2 \cdot V_n + \\
 & \vdots \\
 & P_{n!/((2(n-2)!)+2n)} \cdot V_n \cdot V_n + \\
 & P_{n!/((2(n-2)!)+2n+1)} \cdot V_1^2 \cdot V_1 + P_{n!/((2(n-2)!)+2n+2)} \cdot V_1^2 \cdot V_2 + \dots \\
 & \vdots \\
 & \vdots
 \end{aligned}$$

The above is written for a voltage-controlled voltage source, but the form is similar for the other sources.

The POLY device types shown in [Basic controlled source properties](#) are defined with a dimension of one, meaning there is only one controlling source. However, similar devices can be defined of any degree and dimension by creating parts with appropriate coefficient and TEMPLATE properties and the appropriate number of input pins.

The current-controlled device models (F, FPOLY, H, and HPOLY) contain a current-sensing voltage source. When netlisted, they generate two device declarations to the circuit file set: one for the controlled source and one for the independent current-sensing voltage source.

When defining a current-controlled source part of higher dimension, the TEMPLATE property must account for the same number of current-sensing voltage sources (equal to the dimension value). For example, a two dimensional current-controlled voltage source is described by the following polynomial equation:

$$V_{out} = C_0 + C_1 I_1 + C_2 I_2 + C_{11} I_1^2 + C_{12} I_1 I_2 + C_{22} I_2^2$$

To create the two dimensional HPOLY2 part, these properties must be defined:

```

COEFF0 = 1
COEFF1 = 1
COEFF2 = 1
COEFF11 = 1
COEFF12 = 1
COEFF22 = 1
COEFFS = @COEFF0 @COEFF1 @COEFF2 @COEFF11 @COEFF12 @COEFF22
TEMPLATE = H^@REFDES %5 %6 POLY(2) VH1^@REFDES VH2^@REFDES
\n+ @COEFFS \nVH1^@REFDES %1 %2 0V \nVH2^@REFDES %3 %4 0V

```

The TEMPLATE definition is actually contained on a single line. The VH1 and VH2 fragments after the \n characters represent the device declarations for the two current-sensing voltage sources required by this part. Also, the part graphics must have the appropriate number of pins. When placing an instance of HPOLY2 in your schematic, the COEFFn properties must be appropriately set.

Implementation examples

Following are some examples of traditional SPICE POLY constructs and equivalent ABM parts which could be used instead.

Example 1: four-input voltage adder

This is an example of a device which takes four input voltages and sums them to provide a single output voltage.

The representative polynomial expression would be as follows:

$$V_{out} = 0.0 + (1.0)V_1 + (1.0)V_2 + (1.0)V_3 + (1.0)V_4$$

The corresponding SPICE POLY form would be as follows:

```
ESUM 100 101 POLY(4) (1,0) (2,0) (3,0) (4,0) 0.0 1.0 1.0
+ 1.0 1.0
```

This could be represented with a single ABM expression device configured with the following expression properties:

```
EXP1 = V(1,0) +
EXP2 = V(2,0) +
EXP3 = V(3,0) +
EXP4 = V(4,0)
```

Following template substitution for the ABM device, the output becomes:

$$V(OUT) = \{ V(1,0) + V(2,0) + V(3,0) + V(4,0) \}$$

Example 2: two-input voltage multiplier

This is an example of a device which takes two input voltages and multiplies them together resulting in a single output voltage.

The representative polynomial expression would be as follows:

$$V_{out} = 0.0 + (0.0)V_1 + (0.0)V_2 + (0.0)V_1^2 + (1.0)V_1V_2$$

The corresponding SPICE POLY form would be as follows:

```
EMULT 100 101 POLY(2) (1,0) (2,0) 0.0 0.0 0.0 0.0 1.0
```

This could be represented with a single MULT device. For additional examples of a voltage multiplier device, refer to the Analog Behavioral Modeling chapter of your PSpice user's guide.

Example 3: voltage squarer

This is an example of a device that outputs the square of the input value.

For the one-dimensional polynomial, the representative polynomial expression reduces to:

$$V_{out} = P_0 + P_1 \cdot V + P_2 \cdot V^2 + \dots P_n \cdot V^n$$

The corresponding SPICE POLY form would be as follows:

```
ESQUARE 100 101 POLY(1) (1,0) 0.0 0.0 1.0
```

This could be represented by a single instance of the MULT part, with both inputs from the same net. This results in the following:

$$V_{out} = (V_{in})^2$$



Current-controlled current source

Current-controlled voltage source

General form

```
F<name> <(+) node> <(-) node>
+ <controlling V device name> <gain>

F<name> <(+) node> <(-) node> POLY(<value>)
+ <controlling V device name>*
+ < <polynomial coefficient value> >*
```

Examples

```
FSENSE 1 2 VSENSE 10.0
FAMP 13 0 POLY(1) VIN 0 500
FNONLIN 100 101 POLY(2) VCNTRL1 VCINTRL2 0.0 13.6 0.2 0.005
```

Description The Current-Controlled Current Source (F) and the Current-Controlled Voltage Source (H) devices have the same syntax. For a Current-Controlled Voltage Source just substitute an H for the F. The H device generates a voltage, whereas the F device generates a current.

Arguments and options

(+) and (-)

Output nodes. A positive current flows from the (+) node through the source to the (-) node. The current through the controlling voltage source determines the output current. The controlling source must be an independent voltage source (V device), although it need not have a zero DC value.

POLY(<value>)

Specifies the number of dimensions of the polynomial. The number of controlling voltage sources must be equal to the number of dimensions.

Comments

The first General Form and the first two examples apply to the linear case. The second form and the last example are for the nonlinear case.

For the linear case, there must be one controlling voltage source and its name is followed by the gain. For all cases, including the nonlinear case (POLY), refer to your PSpice user's guide.



In a current-controlled current source device statement, expressions cannot be used for linear and polynomial coefficient values.

Basic SPICE polynomial expressions (POLY)

For more information on the POLY form, see [Basic SPICE polynomial expressions \(POLY\)](#).

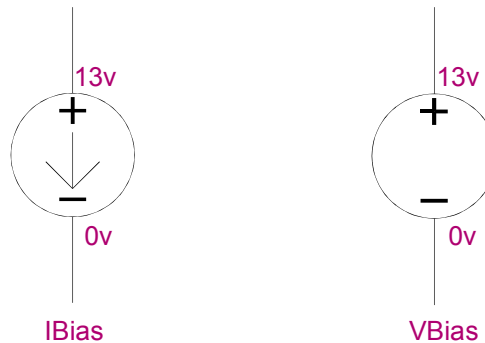
Independent current source & stimulus

Independent voltage source & stimulus

General form I<name> <(+) node> <(-) node>
 + [[DC] <value>]
 + [AC <magnitude value> [phase value]]
 + [STIMULUS=<stimulus name>]
 + [transient specification]

Examples
 IBIAS 13 0 2.3mA
 IAC 2 3 AC .001
 IACPHS 2 3 AC .001 90
 IPULSE 1 0 PULSE(-1mA 1mA 2ns 2ns 2ns 50ns 100ns)
 I3 26 77 DC .002 AC 1 SIN(.002 .002 1.5MEG)

Description This element is a current source. Positive current flows from the (+) node through the source to the (-) node: in the first example, IBIAS drives node 13 to have a negative voltage. The default value is zero for the DC, AC, and transient values. None, any, or all of the DC, AC, and transient values can be specified. The AC phase value is in degrees. The pulse and exponential examples are explained later in this section.



The independent current source & stimulus (I) and the independent voltage source & stimulus (V) devices have the same syntax. For an independent voltage source & stimulus just substitute a V for the I. The V device functions identically and has the same syntax as the I device, except that it generates voltage instead of current.

The variables TSTEP and TSTOP, which are used in defaulting some waveform parameters, are set by the **.TRAN (transient analysis)** command. TSTEP is <print step value> and TSTOP is <final time value>. The .TRAN command can be anywhere in the circuit file; it need not come after the voltage source.

Arguments and options

<stimulus name>

References a [.STIMULUS \(stimulus\)](#) definition.

[transient specification]

Use this value...

To produce this result...

EXP (<parameters>)	an exponential waveform
PULSE (<parameters>)	a pulse waveform
PWL (<parameters>)	a piecewise linear waveform
SFFM (<parameters>)	a frequency-modulated waveform
SIN (<parameters>)	a sinusoidal waveform

Independent current source & stimulus (EXP)

General form EXP (<i1> <i2> <td1> <tc1> <td2> <tc2>)

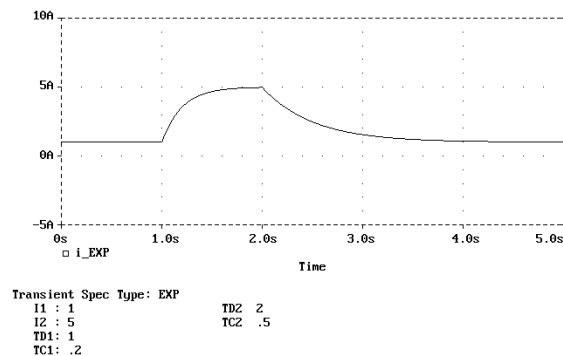
Examples IRAMP 10 5 EXP(1 5 1 .2 2 .5)

Waveform parameters

Parameter	Description	Units	Default
<i1>	Initial current	amp	none
<i2>	Peak current	amp	none
<td1>	Rise (fall) delay	sec	0
<tc1>	Rise (fall) time constant	sec	TSTEP
<td2>	Fall (rise) delay	sec	<td1>+ TSTEP
<tc2>	Fall (rise) time constant	sec	TSTEP

Description

The EXP form causes the current to be <i1> for the first <td1> seconds. Then, the current decays exponentially from <i1> to <i2> using a time constant of <tc1>. The decay lasts <td2>-<td1> seconds. Then, the current decays from <i2> back to <i1> using a time constant of <tc2>. [Independent current source and stimulus exponential waveform formulas](#) describe the EXP waveform.



Independent current source and stimulus exponential waveform formulas

Time period	Value
0 to <td1>	i1
<td1> to <td2>	$i1 + (i2-i1) \cdot (1 - e^{-(\text{TIME}-td1)/tc1})$
<td2> to TSTOP	$i1 + (i2-i1) \cdot ((1 - e^{-(\text{TIME}-td1)/tc1}) - (1 - e^{-(\text{TIME}-td2)/tc2}))$

Independent current source & stimulus (PULSE)

General form PULSE (<i1> <i2> <td> <tr> <tf> <pw> <per>)

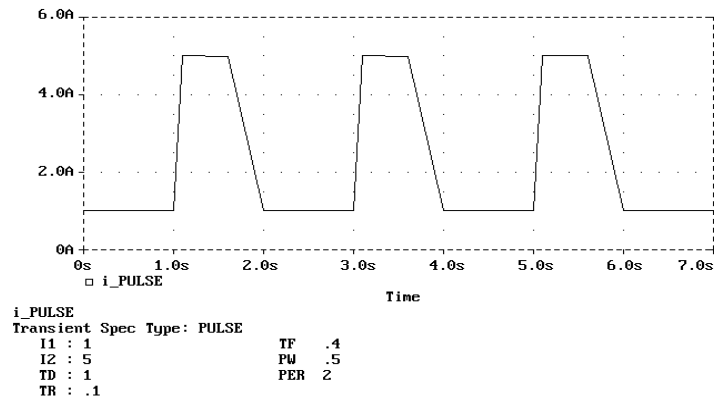
Example ISW 10 5 PULSE(1A 5A 1sec .1sec .4sec .5sec 2sec)

Waveform parameters

Parameters	Description	Units	Default
<i1>	Initial current	amp	none
<i2>	Pulsed current	amp	none
<td>	Delay	sec	0
<tf>	Fall time	sec	TSTEP
<tr>	Rise time	sec	TSTEP
<pw>	Pulse width	sec	TSTOP
<per>	Period	sec	TSTOP

Description

The PULSE form causes the current to start at <i1>, and stay there for <td> seconds. Then, the current goes linearly from <i1> to <i2> during the next <tr> seconds, and then the current stays at <i2> for <pw> seconds. Then, it goes linearly from <i2> back to <i1> during the next <tf> seconds. It stays at <i1> for per-(tr+pw+tf) seconds, and then the cycle is repeated except for the initial delay of <td> seconds. [Independent current source and stimulus pulse waveform formulas](#) describe the PULSE waveform.



Independent current source and stimulus pulse waveform formulas

Time	Value
0	i1
td	i1
td+tr	i2
td+tr+pw	i2
td+tr+pw+tf	i1
td+per	i1
td+per+tr	i2
.	.
.	.
.	.

Independent current source & stimulus (PWL)

General form

```
PWL
+ [TIME_SCALE_FACTOR=<value>]
+ [VALUE_SCALE_FACTOR=<value>]
+ (corner_points)*
```

where corner_points are:

```
(<tn>, <in>)           to specify a point
FILE <filename>       to read point values from a file
REPEAT FOR <n> (corner_points)*
ENDREPEAT             to repeat <n> times
REPEAT FOREVER (corner_points)*
ENDREPEAT             to repeat forever
```

Examples

```
v1      1 2    PWL    (0,1) (1.2,5) (1.4,2) (2,4) (3,1)
v2              3 4    PWL    REPEAT FOR 5 (1,0) (2,1) (3,0) ENDREPEAT
v3              5,6    PWL    REPEAT FOR 5 FILE DATA1.TAB
+                               ENDREPEAT
v4              7 8    PWL    TIME_SCALE_FACTOR=0.1
+                               REPEAT FOREVER
+                               REPEAT FOR 5 (1,0) (2,1) (3,0) ENDREPEAT
+                               REPEAT FOR 5 FILE DATA1.TAB
+                               ENDREPEAT
+                               ENDREPEAT
```

n volt square wave (where n is 1, 2, 3, 4, then 5); 75% duty cycle; 10 cycles; 1 microseconds per cycle:

```
.PARAM N=1
.STEP PARAM N 1,5,1
V1 1 0 PWL
+   TIME_SCALE_FACTOR=1e-6 ;all time units are scaled to
+   microseconds
+   REPEAT FOR 10
+   (.25, 0)(.26, {N})(.99, {N})(1, 0)
+   ENDREPEAT
```

5 volt square wave; 75% duty cycle; 10 cycles; 10 microseconds per cycle; followed by 50% duty cycle n volt square wave (where n is 1, 2, 3, 4, then 5) lasting until the end of simulation:

```
.PARAM N=.2
.STEP PARAM N .2, 1.0, .2
V1 1 0 PWL
+   TIME_SCALE_FACTOR=1e-5 ; all time units are
+   scaled to 10 us
+   VALUE_SCALE_FACTOR=5
+   REPEAT FOR 10
+   (.25, 0)(.26, 1)(.99, 1)(1, 0)
+   ENDREPEAT

+   REPEAT FOREVER
+   (+.50, 0)
+   (+.01, {N}) ; iteration time .51
+   (+.48, {N}) ; iteration time .99
+   (1, 0)
+   ENDREPEAT
```

Assuming that a PWL specification has been given for a device to generate two triangular waveforms:

```
V3 1 0 PWL (1ms, 1)(2ms, 0)(3ms, 1)(4ms, 0)
```

Or, to replace the above with

```
V3 1 0 PWL FILE TRIANGLE.IN
```

where the file `triangle.in` would need to contain:

```
(1ms, 1)(2ms, 0)(3ms, 1)(4ms, 0)
```

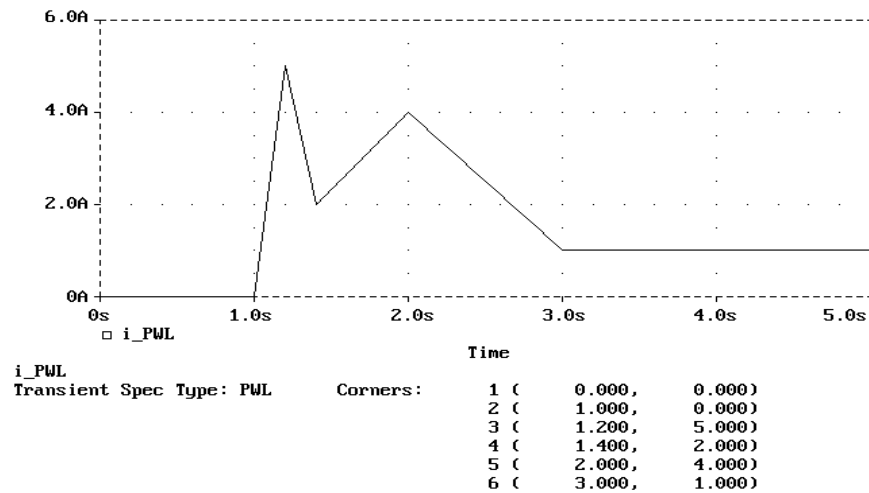
Waveform parameters

Parameter*	Description	Units	Default
<tn>	time at corner	seconds	none
<vn>	voltage at corner	volts	none
<n>	number of repetitions	positive integer, 0, or -1	none

* <tn> and <n> cannot be expressions; <vn> may be an expression.

Description

The PWL form describes a piecewise linear waveform. Each pair of time-current values specifies a corner of the waveform. The current at times between corners is the linear interpolation of the currents at the corners.



Arguments and options

<time_scale_factor> and/or <value_scale_factor>

Can be included immediately after the PWL keyword to show that the time and/or current value pairs are to be multiplied by the appropriate scale factor. These scale factors can be expressions, in which case they are evaluated once per outer simulation loop, and thus should be composed of expressions not containing references to voltages or currents.

<tn> and <in>

The transient specification corner points for the PWL waveform, as shown in the first example. The <in> can be an expression having the same restrictions as the scaling keywords, but <tn> must be a literal.

<file name>

The text file that supplies the time-current (<tn> <in>) pairs. The contents of this file are read by the same parser that reads the circuit file, so that engineering units (e.g., 10us) are correctly interpreted. Note that the continuation + signs in the first column are unnecessary and therefore discouraged.

A typical file can be created by editing an existing PWL specification, replacing all + signs with blanks (to avoid unintentional +time). Only numbers (with units attached) can appear in the file; expressions for <tn> and <n> values are invalid. All absolute time points in <file name> are with respect to the last (<tn> <in>) entered. All relative time points are with respect to the last time point.

REPEAT ... ENDREPEAT

These loops permit repetitions.

They can appear anywhere a (<tn> <in>) pair can appear. Absolute times within REPEAT loops are with respect to the start of the current iteration. The REPEAT ... ENDREPEAT specifications can be nested to any depth. Make sure that the current value associated with the beginning and ending time points (within the same REPEAT loop or between adjacent REPEAT loops), are the same when 0 is specified as the first point in a REPEAT loop.

<n>

A REPEAT FOR -1 ... ENDREPEAT is treated as if it had been REPEAT FOREVER ... ENDREPEAT. A REPEAT FOR 0 ... ENDREPEAT is ignored (other than syntax checking of the enclosed corner points).

Independent current source & stimulus (SFFM)

General form SFFM (<ioff> <iampl> <fc> <mod> <fm>)

Example IMOD 10 5 SFFM(2 1 8Hz 4 1Hz)

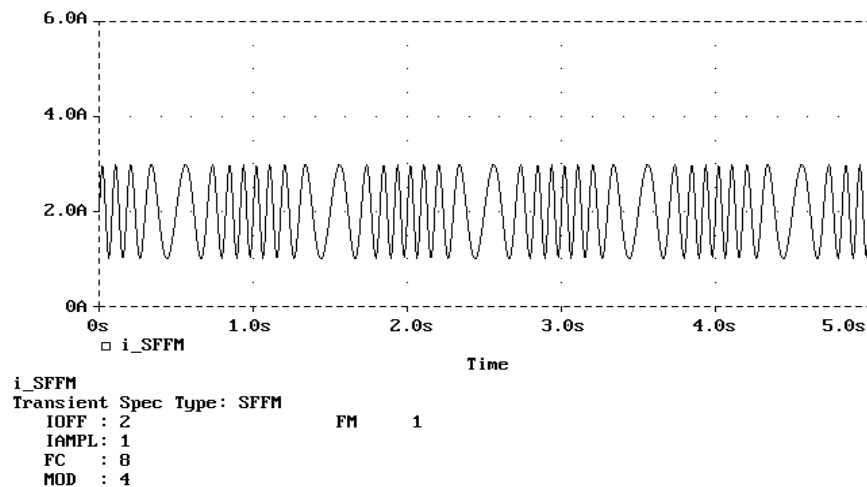
Waveform parameters

Parameters	Description	Units	Default
<ioff>	offset current	amp	none
<iampl>	peak amplitude of current	amp	none
<fc>	carrier frequency	hertz	1/TSTOP
<mod>	modulation index		0
<fm>	modulation frequency	hertz	1/TSTOP

Description

The SFFM (Single-Frequency FM) form causes the current, as illustrated below, to follow the formula:

$$i_{\text{off}} + i_{\text{ampl}} \cdot \sin(2\pi \cdot f_c \cdot \text{TIME} + \text{mod} \cdot \sin(2\pi \cdot f_m \cdot \text{TIME}))$$



Independent current source & stimulus (SIN)

General form SIN (<ioff> <iAMPL> <freq> <td> <df> <phase>)

Examples ISIG 10 5 SIN(2 2 5Hz 1sec 1 30)

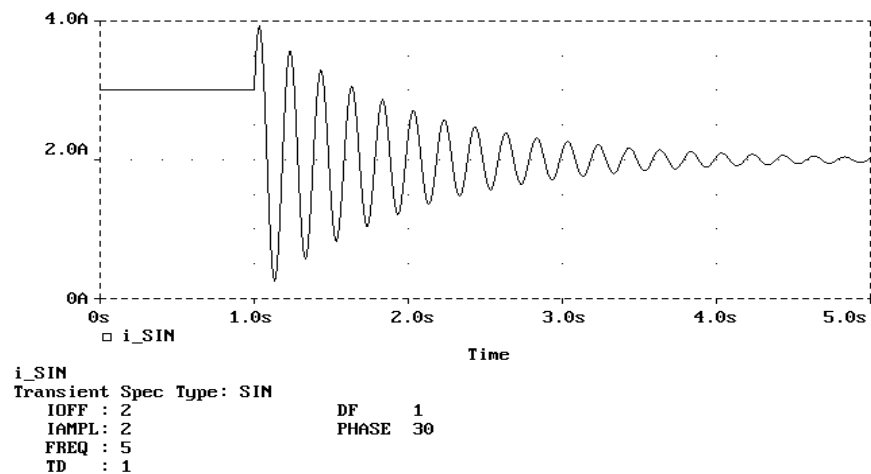
Waveform parameters

Parameters	Description	Units	Default
<ioff>	offset current	amp	none
<iAMPL>	peak amplitude of current	amp	none
<freq>	frequency	hertz	1/TSTOP
<td>	delay	sec	0
<df>	damping factor	sec ⁻¹	0
<phase>	phase	degree	0

Description

The sinusoidal (SIN) waveform causes the current to start at <ioff> and stay there for <td> seconds.

Then, the current becomes an exponentially damped sine wave. [Independent current source and stimulus sinusoidal waveform formulas](#) describe the SIN waveform.



The SIN waveform is for transient analysis only. It does not have any effect on AC analysis. To give a value to a current during AC analysis, use an AC specification, such as:

```
IAC 3 0 AC 1mA
```

where IAC has an amplitude of one milliamperere during AC analysis, and can be zero during transient analysis. For transient analysis use, for example:

```
ITRAN 3 0 SIN(0 1mA 1kHz)
```

where ITRAN has an amplitude of one milliamperere during transient analysis and is zero during AC analysis. Refer to your PSpice user's guide.

Independent current source and stimulus sinusoidal waveform formulas

Time period	Value
to t_d	$i_{off} + i_{amp} \cdot \sin(2\pi \cdot \text{phase}/360^\circ)$
t_d to T_{STOP}	$i_{off} + i_{amp} \cdot \sin(2\pi \cdot (\text{freq} \cdot (\text{TIME} - t_d) + \text{phase}/360^\circ)) \cdot e^{-(\text{TIME} - t_d) \cdot df}$



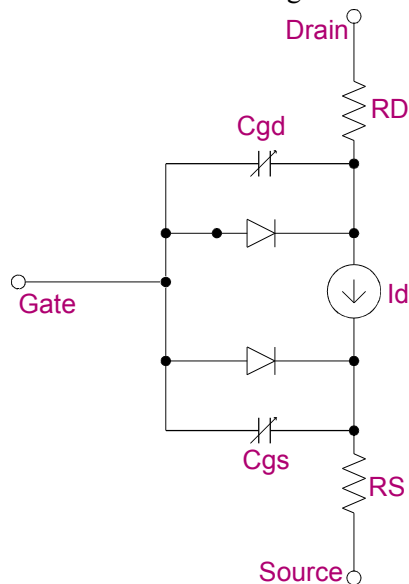
Junction FET

General form J<name> <drain node> <gate node> <source node> <model name> +[area value]

Examples
 JIN 100 1 0 JFAST
 J13 22 14 23 JNOM 2.0

Model form
 .MODEL <model name> NJF [model parameters]
 .MODEL <model name> PJF [model parameters]

Description The JFET is modeled as an intrinsic FET using an ohmic resistance (R_D/area) in series with the drain, and using another ohmic resistance (R_S/area) in series with the source. Positive current is current flowing into a terminal.



Arguments and options

[area value]

The relative device area. It has a default value of 1.0.

Capture parts

The following table lists the set of JFET breakout parts designed for customizing model parameters for simulation. These are useful for setting up Monte Carlo and worst-case analyses with device and/or lot tolerances specified for individual model parameters.

Part name	Model type	Property	Property description
JBREAKN	NJF	AREA	area scaling factor
		MODEL	NJF model name
JBREAKP	PJF	AREA	area scaling factor
		MODEL	PJF model name

Setting operating temperature

Operating temperature can be set to be different from the global circuit temperature by defining one of the model parameters: T_ABS, T_REL_GLOBAL, or T_REL_LOCAL. Additionally, model parameters can be assigned unique measurement temperatures using the T_MEASURED model parameter. For more information, see [Model parameters](#).

Model parameters

Model parameters*	Description	Units	Default
AF	flicker noise exponent		1
ALPHA	ionization coefficient	volt ⁻¹	0
BETA	transconductance coefficient	amp/volt ²	1E-4
BETATCE	BETA exponential temperature coefficient	%/°C	0
CGD	zero-bias gate-drain <i>p-n</i> capacitance	farad	0
CGS	zero-bias gate-source <i>p-n</i> capacitance	farad	0
FC	forward-bias depletion capacitance coefficient		0.5
IS	gate <i>p-n</i> saturation current	amp	1E-14
ISR	gate <i>p-n</i> recombination current parameter	amp	0
KF	flicker noise coefficient		0
LAMBDA	channel-length modulation	volt ⁻¹	0
M	gate <i>p-n</i> grading coefficient		0.5
N	gate <i>p-n</i> emission coefficient		1
NR	emission coefficient for isr		2
PB	gate <i>p-n</i> potential	volt	1.0
RD	drain ohmic resistance	ohm	0
RS	source ohmic resistance	ohm	0
T_ABS	absolute temperature	°C	
T_MEASURED	measured temperature	°C	
T_REL_GLOBAL	relative to current temperature	°C	
T_REL_LOCAL	relative to AKO model temperature	°C	
VK	ionization knee voltage	volt	0
VTO	threshold voltage	volt	-2.0
VTOTC	VTO temperature coefficient	volt/°C	0
XTI	IS temperature coefficient		3

* For information on T_MEASURED, T_ABS, T_REL_GLOBAL, and T_REL_LOCAL, see [.MODEL \(model definition\)](#).



VTO < 0 means the device is a depletion-mode JFET (for both N-channel and P-channel) and **VTO > 0** means the device is an enhancement-mode JFET. This conforms to U.C. Berkeley SPICE.

JFET equations

The equations in this section describe an N-channel JFET. For P-channel devices, reverse the sign of all voltages and currents.

The following variables are used:

V_{gs}	= intrinsic gate-intrinsic source voltage
V_{gd}	= intrinsic gate-intrinsic drain voltage
V_{ds}	= intrinsic drain-intrinsic source voltage
C_{gs}	= gate-source capacitance
C_{gd}	= gate-drain capacitance
V_t	= $k \cdot T / q$ (thermal voltage)
k	= Boltzmann's constant
q	= electron charge
T	= analysis temperature (°K)
T_{nom}	= nominal temperature (set using TNOM option)

Other variables are listed in [Model parameters](#).



Positive current is current flowing into a terminal (for example, positive drain current flows from the drain through the channel to the source).

JFET equations for DC current

all levels

$$I_g = \text{gate current} = \text{area} \cdot (I_{gs} + I_{gd})$$

$$I_{gs} = \text{gate-source leakage current} = I_n + I_r \cdot K_g$$

$$I_n = \text{normal current} = \mathbf{IS} \cdot (e^{V_{gs}/(N \cdot V_t)} - 1)$$

$$I_r = \text{recombination current} = \mathbf{ISR} \cdot (e^{V_{gs}/(NR \cdot V_t)} - 1)$$

$$K_g = \text{generation factor} = ((1 - V_{gs}/\mathbf{PB})^2 + 0.005)^{M/2}$$

$$I_{gd} = \text{gate-drain leakage current} = I_n + I_r \cdot K_g + I_i$$

$$I_n = \text{normal current} = \mathbf{IS} \cdot (e^{V_{gd}/(N \cdot V_t)} - 1)$$

$$I_r = \text{recombination current} = \mathbf{ISR} \cdot (e^{V_{gd}/(NR \cdot V_t)} - 1)$$

$$K_g = \text{generation factor} = ((1 - V_{gd}/\mathbf{PB})^2 + 0.005)^{M/2}$$

$$I_i = \text{impact ionization current}$$

for forward saturation region:

$$0 < V_{gs} - \mathbf{VTO} < V_{ds}$$

then:

$$I_i = I_{\text{drain}} \cdot \mathbf{ALPHA} \cdot \text{vdif} \cdot e^{-V_K/\text{vdif}}$$

where

$$\text{vdif} = V_{ds} - (V_{gs} - \mathbf{VTO})$$

else:

$$I_i = 0$$

$$I_d = \text{drain current} = \text{area} \cdot (I_{\text{drain}} - I_{gd})$$

$$I_s = \text{source current} = \text{area} \cdot (-I_{\text{drain}} - I_{gs})$$

JFET equations for DC current (continued)

all levels: I_{drain}

Normal mode: $V_{\text{ds}} \geq 0$

Case 1

for cutoff region: $V_{\text{gs}} - V_{\text{TO}} \leq 0$

then: $I_{\text{drain}} = 0$

Case 2

for linear region: $V_{\text{ds}} \leq V_{\text{gs}} - V_{\text{TO}}$

then: $I_{\text{drain}} = \text{BETA} \cdot (1 + \text{LAMBDA} \cdot V_{\text{ds}}) \cdot V_{\text{ds}} \cdot (2 \cdot (V_{\text{gs}} - V_{\text{TO}}) - V_{\text{ds}})$

Case 3

for saturation region: $0 < V_{\text{gs}} - V_{\text{TO}} < V_{\text{ds}}$

then: $I_{\text{drain}} = \text{BETA} \cdot (1 + \text{LAMBDA} \cdot V_{\text{ds}}) \cdot (V_{\text{gs}} - V_{\text{TO}})^2$

Inverted mode: $V_{\text{ds}} < 0$

Switch the source and drain in the normal mode equations above.

JFET equations for capacitance

All capacitances are between terminals of the intrinsic JFET (that is, to the inside of the ohmic drain and source resistances).

gate-source depletion capacitance

For: $V_{\text{gs}} \leq \text{FC} \cdot \text{PB}$

$$C_{\text{gs}} = \text{area} \cdot \text{CGS} \cdot (1 - V_{\text{gs}}/\text{PB})^{-\text{M}}$$

For: $V_{\text{gs}} > \text{FC} \cdot \text{PB}$

$$C_{\text{gs}} = \text{area} \cdot \text{CGS} \cdot (1 - \text{FC})^{-(1+\text{M})} \cdot (1 - \text{FC} \cdot (1 + \text{M}) + \text{M} \cdot V_{\text{gs}}/\text{PB})$$

gate-drain depletion capacitance

For: $V_{\text{gd}} \leq \text{FC} \cdot \text{PB}$

$$C_{\text{gd}} = \text{area} \cdot \text{CGD} \cdot (1 - V_{\text{gd}}/\text{PB})^{-\text{M}}$$

For: $V_{\text{gd}} > \text{FC} \cdot \text{PB}$

$$C_{\text{gd}} = \text{area} \cdot \text{CGD} \cdot (1 - \text{FC})^{-(1+\text{M})} \cdot (1 - \text{FC} \cdot (1 + \text{M}) + \text{M} \cdot V_{\text{gd}}/\text{PB})$$

JFET equations for temperature effects

The drain and source ohmic (parasitic) resistances have no temperature dependence.

$$V_{TO}(T) = V_{TO} + V_{TOTC} \cdot (T - T_{nom})$$

$$BETA(T) = BETA \cdot 1.01^{BETATCE \cdot (T - T_{nom})}$$

$$IS(T) = IS \cdot e^{(T/T_{nom} - 1) \cdot EG / (N \cdot V_t)} \cdot (T/T_{nom})^{XTI/N}$$

where $EG = 1.11$

$$ISR(T) = ISR \cdot e^{(T/T_{nom} - 1) \cdot EG / (NR \cdot V_t)} \cdot (T/T_{nom})^{XTI/NR}$$

where $EG = 1.11$

$$PB(T) = PB \cdot T/T_{nom} - 3 \cdot V_t \cdot \ln(T/T_{nom}) - Eg(T_{nom}) \cdot T/T_{nom} + Eg(T)$$

where $Eg(T) = \text{silicon bandgap energy} = 1.16 - .000702 \cdot T^2 / (T + 1108)$

$$CGS(T) = CGS \cdot (1 + M \cdot (.0004 \cdot (T - T_{nom}) + (1 - PB(T)/PB)))$$

$$CGD(T) = CGD \cdot (1 + M \cdot (.0004 \cdot (T - T_{nom}) + (1 - PB(T)/PB)))$$

JFET equations for noise

Noise is calculated assuming a 1.0-hertz bandwidth, using the following spectral power densities (per unit bandwidth).

parasitic resistance thermal noise

$$I_s^2 = 4 \cdot k \cdot T / (RS/area)$$

$$I_d^2 = 4 \cdot k \cdot T / (RD/area)$$

intrinsic JFET shot and flicker noise

$$I_{drain}^2 = 4 \cdot k \cdot T \cdot gm \cdot 2/3 + KF \cdot I_{drain}^{AF} / FREQUENCY$$

where $gm = dI_{drain}/dV_{gs}$ (at the DC bias point)

Reference

For more information about the U.C. Berkeley SPICE models, including the JFET device, refer to:

[1] P. Antognetti and G. Massobrio, Semiconductor Device Modeling with SPICE, McGraw-Hill, 1988.



Inductor coupling (and magnetic core)

Transmission line coupling

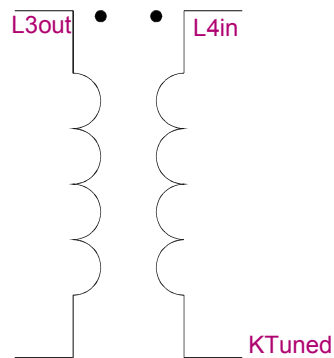
General form `K<name> L<inductor name> <L<inductor name>>* <coupling value>`
`K<name> <L<inductor name>>* <coupling value> <model name> [size value]`
`K<name>T<transmission line name>T<transmission line name>`
`+ Cm=<capacitive coupling> Lm=<inductive coupling>`

Examples

```
KTUNED L3OUT L4IN .8
KTRNSFRM LPRIMARY LSECNDRY 1
KXFRM L1 L2 L3 L4 .98 KPOT_3C8
K2LINES T1 T2 Lm=1m Cm=.5p
```

Model form `.MODEL <model name> CORE [model parameters]`

Description



This device can be used to define coupling between inductors (transformers) or between transmission lines. This device also refers to a nonlinear magnetic core (CORE) model to include magnetic hysteresis effects in the behavior of a single inductor (winding), or in multiple coupled windings.

Inductor coupling

Arguments and options

K<name> L<inductor name>
Couples two or more inductors.

Using the "Dot" convention, place a "DOT" on the first node of each inductor. For example:

```
I1 1 0 AC 1mA
L1 1 0 10uH
L2 2 0 10uH
R2 2 0 .1
K12 L1 L2 1
```

The current through L2 is in the opposite direction as the current through L1. The polarity is determined by the order of the nodes in the L devices and not by the order of inductors in the K statement.

<coupling value>

This is the coefficient of mutual coupling, which must be between -1.0 and 1.0.

This coefficient is defined by the equation

$$\langle \text{coupling value} \rangle = M_{ij} / (L_i \cdot L_j)^{1/2}$$

where

L_i, L_j = a coupled-pair of inductors

M_{ij} = the mutual inductance between L_i and L_j

For transformers of normal geometry, use 1.0 as the value. Values less than 1.0 occur in air core transformers when the coils do not completely overlap.

<model name>

If <model name> is present, four things change:

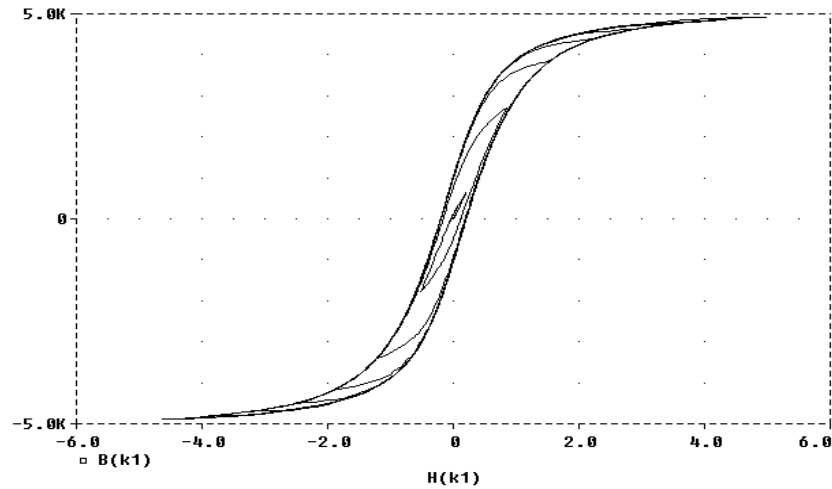
- The mutual coupling inductor becomes a nonlinear, magnetic core device. The magnetic core's B-H characteristics are analyzed using the Jiles-Atherton model (see [Inductor coupling: Jiles-Atherton model](#)).
- The inductors become windings, so the number specifying inductance now specifies the number of turns.
- The list of coupled inductors could be just one inductor.
- A model statement is required to specify the model parameters.

[size value]

Has a default value of 1.0 and scales the magnetic cross-section. It is intended to represent the number of lamination layers, so only one model statement is needed for each lamination type. For example:

```
L1 5 9 20 ; inductor having 20 turns
K1 L1 1 K528T500_3C8; Ferroxcube toroid core
L2 3 8 15 ; primary winding having
; 15 turns
L3 4 6 45 ; secondary winding having
; 45 turns
K2 L2 L3 1 K528T500_3C8; another core (not the same as K1)
```

Here is a Probe B-H display of 3C8 ferrite (Ferroxcube).



Comments

The linear branch relation for transient analysis is

$$V_i = L_i \cdot \frac{dI_i}{dt} + M_{ij} \cdot \frac{dI_j}{dt} + M_{ik} \cdot \frac{dI_k}{dt} + \dots$$

For U.C. Berkeley SPICE2: if there are several coils on a transformer, then there must be K statements coupling all combinations of inductor pairs. For instance, a transformer using a center-tapped primary and two secondaries could be written:

```
* PRIMARY
L1 1 2 10uH
L2 2 3 10uH
* SECONDARY
L3 11 12 10uH
L4 13 14 10uH
* MAGNETIC COUPLING
K12 L1 L2 1
K13 L1 L3 1
K14 L1 L4 1
K23 L2 L3 1
K24 L2 L4 1
K34 L3 L4 1
```

This older technique is still supported, but not required, for simulation. The same transformer can also be written:

```
* PRIMARY
L1 1 2 10uH
L2 2 3 10uH
* SECONDARY
L3 11 12 10uH
L4 13 14 10uH
* MAGNETIC COUPLING
KALL L1 L2 L3 L4 1
```



Do not mix the two techniques.

The simulator uses the Jiles-Atherton model (see [Inductor coupling: Jiles-Atherton model](#)) to analyze the B-H curve of the magnetic core and calculate values for inductance and flux for each of the windings.

The state of the nonlinear core can be viewed in Probe by specifying $B(K_{xxx})$ for the magnetization or $H(K_{xxx})$ for the magnetizing influence. These values are not available for [.PRINT \(print\)](#) or [.PLOT \(plot\)](#) output.

Capture parts

See your PSpice user's guide for information about using nonlinear magnetic cores with transformers.

Part name	Model type	Property	Property description
XFRM_LINEAR	transformer	L1_VALUE	winding inductances in Henries
		L2_VALUE	
		COUPLING	coefficient of mutual coupling (must lie between 0 and 1)
K_LINEAR	transformer	Ln	inductor reference designator
XFRM_NONLINEAR	transformer	L1_TURNS	number of turns on each winding
		L2_TURNS	
		COUPLING	coefficient of mutual coupling (must lie between 0 and 1)
		MODEL	nonlinear CORE model name

Breakout parts

For non-stock passive and semiconductor devices, Capture provides a set of breakout parts designed for customizing model parameters for simulation. These are useful for setting up Monte Carlo and worst-case analyses with device and/or lot tolerances specified for individual model parameters. Another approach is to use the model editor to derive an instance model and customize this. For example, you could add device and/or lot tolerances to model parameters.

Basic breakout part names consist of the intrinsic PSpice A/D device letter plus the suffix BREAK. By default, the model name is the same as the part name and references the appropriate device model with all parameters set at their default. For instance, the DBREAK part references the DBREAK model which is derived from the intrinsic PSpice A/D D model (.MODEL DBREAK D)

Using the KBREAK part

The inductor coupling part, KBREAK, can be used to couple up to six independent inductors on a schematic. A MODEL property is provided for using nonlinear magnetic core (CORE)

models, if desired. By default, KBREAK references the KBREAK model contained in `breakout.lib`; this model, in turn, uses the default CORE model parameters.

Device type	Part name	Part library	Property	Description
inductor coupling	KBREAK	BREAKOUT.OLB	COUPLING Li	coupling factor inductor reference designator

The KBREAK part can be used to:

- Provide linear coupling between inductors.
- Reference a CORE model in a configured model library file.
- Define a user-defined CORE model with custom model parameter values.

The dot convention for the coupling is related to the direction in which the inductors are connected. The dot is always next to the first pin to be netlisted. For example, when the inductor part L is placed without rotation, the dotted pin is the left one. Rotate on the Edit menu (**Ctrl**+**R**) rotates the inductor +90°, making this pin the bottom pin.



Nonlinear coupling is not included in PSpice A/D Basics+.

For nonlinear coupling L1 must have a value; the rest may be left blank. The model must reference a CORE model such as those contained in MAGNETIC.LIB or other user-defined models. VALUE is set to the number of windings.

For linear coupling L1 and at least one other Li must have values; the rest may be left blank. The model reference must be blank. VALUE must be in Henries.

Inductor coupling model parameters

Model parameters*	Description	Units	Default
A	Thermal energy parameter	amp/meter	1E+3
AREA	Mean magnetic cross-section	cm ²	0.1
C	Domain flexing parameter		0.2
GAP	Effective air-gap length	cm	0
K	Domain anisotropy parameter	amp/meter	500
LEVEL	Model index		2
MS	Magnetization saturation	amp/meter	1E+6
PACK	Pack** (stacking) factor		1.0
PATH	Mean magnetic path length	cm	1.0

*See [.MODEL \(model definition\)](#).

**Flux is proportional to PACK.

Inductor coupling: Jiles-Atherton model

The Jiles-Atherton model is based on existing ideas of domain wall motion, including flexing and translation. The model derives an anhysteretic magnetization curve by using a mean field technique, in which any domain is coupled to the magnetic field (H) and the bulk magnetization (M). This anhysteretic value is the magnetization that would be reached in the absence of domain wall pinning. Hysteresis is modeled by the effects of pinning of domain walls on material defect sites. This impedance to motion and flexing due to the differential field exhibits all of the main features of real, nonlinear magnetic devices, such as the initial magnetization curve (initial permeability), saturation of magnetization, coercivity, remanence, and hysteresis loss.

A magnetic material that is comprised of loosely coupled domains has an equilibrium B-H curve, called the anhysteretic. This curve is the locus of B-H values generated by superimposing a DC magnetic bias and a large AC signal that decays to zero. It is the curve representing minimum energy for the domains and is modeled, in theory, by

$$M_{an} = \frac{MS \cdot H}{(|H| + A)}$$

where

M_{an} = the anhysteretic magnetization

MS = the saturation magnetization

H = the magnetizing influence (after GAP correction)

A = a thermal energy parameter

For a given magnetizing influence (H), the anhysteretic magnetization is the global flux level the material would attain if the domain walls could move freely. The walls, however, are stopped or pinned on dislocations in the material. The wall remains pinned until enough magnetic potential is available to break free, and travel to the next pinning site. The theory

supposes a mean energy required, per volume, to move domain walls. This is analogous to mechanical drag. A simplified equation of this is

$$\text{change-in-magnetization} = \text{potential/drag}$$

The irreversible domain wall motion can, therefore, be expressed as

$$dM_{irr}/dH = (M_{an} - M)/K$$

where K is the pinning energy per volume (drag).

Reversible wall motion comes from flexing in the domain walls, especially when it is pinned at a dislocation due to the magnetic potential (that is, the magnetization is not the anhysteretic value).

The theory supposes spherical flexure to calculate energy values and arrives at the (simplified) equation:

$$dM_{rev}/dH = C \cdot d(M_{an} - M)/dH$$

where C is the domain flexing parameter.

The equation for the total magnetization is the sum of these two state equations:

$$dM/dH = (1/(1 + C)) \cdot (M_{an} - M)/K + (C/(1 + C)) \cdot dM_{an}/dH$$

Including air-gap effects in the inductor coupling model

If the gap thickness is small compared with the other dimensions of the core, you can assume that all of the magnetic flux lines go through the gap directly and that there is little fringing flux (having a modest amount of fringing flux only increases the effective air-gap length). Checking the field values around the entire magnetic path gives the equation:

$$H_{core} \cdot L_{core} + H_{gap} \cdot L_{gap} = n \cdot I$$

where $n \cdot I$ is the sum of the amp-turns of the windings on the core. Also, the magnetization in the air-gap is negligible, so that $B_{gap} = H_{gap}$ and $B_{gap} = B_{core}$. These combine in the previous equation to yield:

$$H_{core} \cdot L_{core} + B_{core} \cdot L_{gap} = n \cdot I$$

This is a difficult equation to solve, especially for the Jiles-Atherton model, which is a state equation model rather than an explicit function (which one would expect, because the B-H curve depends on the history of the material). However, there is a graphical technique that solves for B_{core} and H_{core} , given $n \cdot I$, which is to:

- 1 Take the non-gapped B-H curve.
- 2 Extend a line from the current value of $n \cdot I$ having a slope of $-L_{core}/L_{gap}$ (this would be vertical if $L_{gap} = 0$).
- 3 Find the intersection of the line using the B-H curve.

The intersection is the value for B_{core} and H_{core} for the $n \cdot I$ of the gapped core. The $n \cdot I$ value is the apparent or external value of H_{core} , but the real value of H_{core} is less. The result is a smaller value for B_{core} and for the sheared-over B-H curves of a gapped core. The simulator implements the numerical equivalent of this graphical technique.

The resulting B-H values are recorded in the Probe data file as B_{core} and $H_{apparent}$.

Getting core inductor coupling model values

Characterizing core materials can be performed using Parts, and verified by using PSpice and Probe. The model uses MKS (metric) units, however the results for Probe are converted to Gauss and Oersted, which can be displayed using $B(Kxxx)$ and $H(Kxxx)$. The traditional B-H curve is made by a transient run, ramping current through a test inductor, then displaying $B(Kxxx)$ and setting the X axis to $H(Kxxx)$.

For more information on the Jiles-Atherton model, see Reference [1] of [References](#).

Transmission line coupling

If a K device is used to couple two transmission lines, then two coupling parameters are required.

Device	Description	Units	Default
Cm	capacitive coupling	farad/length*	none
Lm	inductive coupling	henries/length*	none

* Length units must be consistent using the LEN parameter for the transmission lines being coupled.

These parameters can be thought of as the off-diagonal terms of a capacitive coupling matrix, $[C]$, and an inductive coupling matrix, $[L]$, respectively. $[C]$ and $[L]$ are both symmetric matrices, and for two coupled lines, the following relationships hold:

$$[C] = \begin{bmatrix} C_{11} & C_{12} \\ C_{21} & C_{22} \end{bmatrix} \quad [L] = \begin{bmatrix} L_{11} & L_{12} \\ L_{21} & L_{22} \end{bmatrix}$$

$$Cm = C_{12} = C_{21} \quad Lm = L_{12} = L_{21}$$

C_{12} represents the charge induced on the first conductor when the second conductor has a potential of one volt. In general, for a system of N coupled lines, C_{ij} is the charge on the i^{th} conductor when the j^{th} conductor is set to one volt, and all other conductors are grounded. The diagonal of the matrix is determined with the understanding that the self-capacitance is really the capacitance between the conductor and ground, so that:

$$C_{ii} = C_{ig} + \sum |C_{ij}|$$

where C_{ig} is equal to the capacitance per unit length for the i^{th} transmission line, and is provided along with the T device that describes the i^{th} line. The simulator calculates C_{ii} from this.

The values of C_{ij} in the matrix are negative values. Note that the simulator assigns $-|Cm|$ to the appropriate C_{ij} , so that the sign used when specifying **Cm** is ignored.

L_{12} is defined in terms of the flux between the 1st conductor and the ground plane, when the 2nd conductor carries a current of one ampere. If there are more than two conductors, all other conductors are assumed to be open.

L_{11} is equal to the inductance per unit length for the 1st line and is obtained directly from the appropriate T device.

Example

The following circuit fragment shows an example using two coupled lines:

```
T1 1 0 2 0 R=.31 L=.38u G=6.3u C=70p LEN=1
T2 3 0 4 0 R=.29 L=.33u G=6.0u C=65p LEN=1
K12 T1 T2 Lm=.04u Cm=6p
```

This fragment leads to the following [C] and [L]:

$$[C] = \begin{bmatrix} 76\text{p} & -6\text{p} \\ -6\text{p} & 71\text{p} \end{bmatrix} \quad [L] = \begin{bmatrix} 0.38\text{u} & 0.04\text{u} \\ 0.04\text{u} & 0.33\text{u} \end{bmatrix}$$

The model used to simulate this system is based on the approach described by Tripathi and Rettig in Reference [1] of [References](#) and is extended for lossy lines by Roychowdhury and Pederson in Reference [2]. The approach involves computing the system propagation modes by extracting the eigenvalues and eigenvectors of the matrix product [L][C].



This model is not general for lossy lines.

Lossy lines

For the lossy line case, the matrix product to be decoupled is actually:

$$[R+sL][G+sC]$$

where:

s = the Laplace variable

R = the resistance per unit length matrix

G = the conductance per unit length matrix.

The modes obtained from [L][C] represent a high frequency asymptote for this system. Simulation results should be good approximations for low-loss lines. However, as shown in reference [2], the approximation becomes exact for homogeneous, equally-spaced lossy lines, provided that coupling beyond immediately adjacent lines is negligible (i.e., the coupling matrices are tridiagonal and Toeplitz).



Coupled ideal lines can be modeled by setting R and G to zero. The Z0/TD parameter set is not supported for coupled lines.

References

For a further description of the Jiles-Atherton model, refer to:

[1] D.C. Jiles, and D.L. Atherton, "Theory of ferromagnetic hysteresis," Journal of Magnetism and Magnetic Materials, 61, 48 (1986).

For more information on transmission line coupling, refer to:

[1] Tripathi and Rettig, "A SPICE Model for Multiple Coupled Microstrips and Other Transmission Lines," IEEE MTT-S Internal Microwave Symposium Digest, 1985.

[2] Roychowdhury and Pederson, "Efficient Transient Simulation of Lossy Interconnect," Design Automation Conference, 1991.



Inductor

General form L<name> <(+) node> <(-) node> [model name] <value>
+ [IC=<initial value>]

Examples
LLOAD 15 0 20mH
L2 1 2 .2E-6
LCHOKE 3 42 LMOD .03
LSENSE 5 12 2UH IC=2mA

Model form .MODEL <model name> IND [model parameters]



Arguments and options

(+) and (-) nodes

Define the polarity when the inductor has a positive voltage across it.

The first node listed (or pin one in Capture), is defined as positive. The voltage across the component is therefore defined as the first node voltage less the second node voltage.

Positive current flows from the (+) node through the inductor to the (-) node. Current flow from the first node through the component to the second node is considered positive.

[model name]

If [model name] is left out, then the effective value is <value>.

If [model name] is specified, then the effective value is given by the model parameters; see [Inductance value formula](#).

If the inductor is associated with a Core model, then the effective value is the number of turns on the core. Otherwise, the effective value is the inductance. See the Model Form statement for the K device in [Inductor coupling \(and magnetic core\)](#) for more information on the Core model.

<initial value>

Is the initial current through the inductor during the bias point calculation.

It can also be specified in a circuit file using a .IC statement as follows:

```
.IC I(L<name>) <initial value>
```

For details on using the .IC statement in a circuit file, see [.IC \(initial bias point condition\)](#) and refer to your PSpice user's guide for more information.

Capture parts

For standard L parts, the effective value of the part is set directly by the VALUE property.

In general, inductors should have positive component values (VALUE property). In all cases, components must not be given a value of zero.

However, there are cases when negative component values are desired. This occurs most often in filter designs that analyze an RLC circuit equivalent to a real circuit. When transforming from the real to the RLC equivalent, it is possible to end up with negative component values.

PSpice A/D allows negative component values for bias point, DC sweep, AC, and noise analyses. A transient analysis may fail for a circuit with negative components. Negative inductors may create instabilities in time that the analysis cannot handle.

Part name	Model type	Property	Property description
L	inductor	VALUE	inductance
		IC	initial current through the inductor during bias point calculation
XFRM_LINEAR	transformer	L1_VALUE	winding inductances in Henries
		L2_VALUE	
		COUPLING	coefficient of mutual coupling (must be between 0 and 1)
K_LINEAR	transformer	Ln	inductor reference designator

Breakout parts

For non-stock passive and semiconductor devices, Capture provides a set of breakout parts designed for customizing model parameters for simulation. These are useful for setting up Monte Carlo and worst-case analyses with device and/or lot tolerances specified for individual model parameters. Another approach is to use the model editor to derive an instance model and customize this. For example, you could add device and/or lot tolerances to model parameters.

Basic breakout part names consist of the intrinsic PSpice A/D device letter plus the suffix BREAK. By default, the model name is the same as the part name and references the appropriate device model with all parameters set at their default. For instance, the DBREAK part references the DBREAK model, which is derived from the intrinsic PSpice A/D D model (.MODEL DBREAK D).

For breakout part LBREAK, the effective value is computed from a formula that is a function of the specified VALUE property.

Device type	Part name	Part library file	Property	Description
inductor	LBREAK	BREAKOUT.OLB	VALUE	inductance
			IC	initial current through the inductor during bias point calculation
			MODEL	IND model name

Inductor model parameters

Model parameters*	Description	Units	Default
L	Inductance multiplier		1.0
IL1	Linear current coefficient	amp ⁻¹	0.0
IL2	Quadratic current coefficient	amp ⁻²	0.0
TC1	Linear temperature coefficient	°C ⁻¹	0.0
TC2	Quadratic temperature coefficient	°C ⁻²	0.0
T_ABS	Absolute temperature	°C	
T_MEASURED	Measured temperature	°C	
T_REL_GLOBAL	Relative to current temperature	°C	
T_REL_LOCAL	Relative to AKO model temperature	°C	

* For information on T_MEASURED, T_ABS, T_REL_GLOBAL, and T_REL_LOCAL, see [.MODEL \(model definition\)](#).

Inductor equations

Inductance value formula

If [model name] is specified, then the effective value is given by:

$$\langle \text{value} \rangle \cdot L \cdot (1 + IL1 \cdot I + IL2 \cdot I^2) \cdot (1 + TC1 \cdot (T - T_{nom}) + TC2 \cdot (T - T_{nom})^2)$$

where <value> is normally positive (though it can be negative, but not zero). T_{nom} is the nominal temperature (set using TNOM option).

Inductor equation for noise

The inductor does not have a noise model.



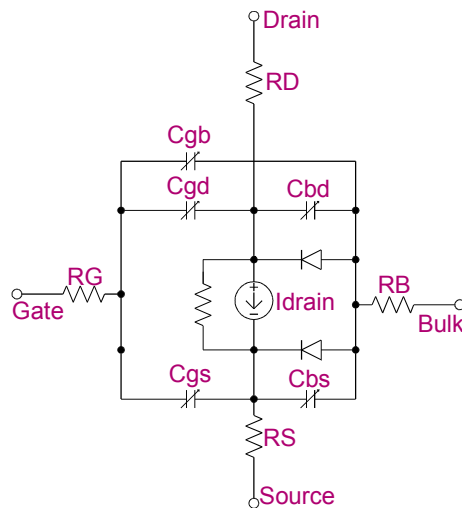
MOSFET

General form M<name> <drain node> <gate node> <source node>
 + <bulk/substrate node> <model name>
 + [L=<value>] [W=<value>]
 + [AD=<value>] [AS=<value>]
 + [PD=<value>] [PS=<value>]
 + [NRD=<value>] [NRS=<value>]
 + [NRG=<value>] [NRB=<value>]
 + [M=<value>] [N=<value>]

Examples M1 14 2 13 0 PNOM L=25u W=12u
 M13 15 3 0 0 PSTRONG
 M16 17 3 0 0 PSTRONG M=2
 M28 0 2 100 100 NWEAK L=33u W=12u
 + AD=288p AS=288p PD=60u PS=60u NRD=14 NRS=24 NRG=10

Model form .MODEL <model name> NMOS [model parameters]
 .MODEL <model name> PMOS [model parameters]

Description The MOSFET is modeled as an intrinsic MOSFET using ohmic resistances in series with the drain, source, gate, and bulk (substrate). There is also a shunt resistance (RDS) in parallel with the drain-source channel.



Arguments and options

L and W

are the channel length and width, which are decreased to get the effective channel length and width. They can be specified in the device, **.MODEL (model definition)**, or **.OPTIONS (analysis options)** statements. The value in the device statement supersedes the value in the model statement, which supersedes the value in the .OPTIONS statement. Defaults for L and W can be set in the .OPTIONS statement. If L or W defaults are not set, their default value is 100 u.



[L=<value>] [W=<value>] cannot be used in conjunction with Monte Carlo analysis.

AD and AS

The drain and source diffusion areas. Defaults for AD and AS can be set in the .OPTIONS statement. If AD or AS defaults are not set, their default value is 0.

PD and PS

The drain and source diffusion perimeters. Their default value is 0.

JS

Can specify the drain-bulk and source-bulk saturation currents. JS is multiplied by AD and AS.

IS

Can also specify the drain-bulk and source-bulk saturation currents. IS is an absolute value.

CJ

Can specify the zero-bias depletion capacitances. CJ is multiplied by AD and AS.

CJSW

Can also specify the zero-bias depletion capacitances. CJSW is multiplied by PD and PS.

CBD and CBS

Can also specify the zero-bias depletion capacitances. CBD and CBS are absolute values.

NRD, NRS, NRG, and NRB

Multipliers (in units of squares) that can be multiplied by RSH to yield the parasitic (ohmic) resistances of the drain (RD), source (RS), gate (RG), and substrate (RB), respectively. NRD, NRS, NRG, and NRB default to 0.

Consider a square sheet of resistive material. Analysis shows that the resistance between two parallel edges of such a sheet depends upon its composition and thickness, but is *independent* of its size as long as it is *square*. In other words, the resistance will be the same whether the square's edge is 2 mm, 2 cm, or 2 m. For this reason, the sheet resistance of such a layer, abbreviated **RSH**, has units of ohms per square.

M (NP)

A parallel device multiplier (default = 1), which simulates the effect of multiple devices in parallel. (NP is an alias for M.)

The effective width, overlap and junction capacitances, and junction currents of the MOSFET are multiplied by M. The parasitic resistance values (e.g., RD and RS) are divided by M. Note the third example: it shows a device twice the size of the second example.

N (NS)

A series device multiplier (default value= 1.0) for the Level 5 model only, which simulates an approximation of the effect of multiple devices in series. NS is an aliased name for N.

There are some things to keep in mind while using this parameter. The parameter N is used to derive the effective length, $L_{\text{eff}} = N \cdot (L+DL)$, of a transistor drawn as N elements of width W and length L in series (in other words, the drain of element [K] is the source of element [K+1], and the gates are tied together). The short-channel effects included in the pinch-off voltage calculation, however, are evaluated using the effective length L+DL of each element. Except for this, everything is calculated as if the transistor were laid out as a single element of length $L=L_{\text{eff}}-DL=N \cdot (L+DL)-DL$.

In this compact formulation, the intermediate drain/source diffusions appearing along the channel are ignored (that is, junction capacitance and diffusion resistances are assumed to be zero). As a consequence, DC, AC and transient analyses can yield different results compared with the standard device declaration, particularly at higher frequencies. A closer match is obtained for long devices, or devices with low RS and RD and high UCRIT. Be sure to evaluate the accuracy of this compact formulation and to check the validity of the underlying approximations.

Comments

The simulator provides six MOSFET device models, which differ in the formulation of the I-V characteristic. The **LEVEL** parameter selects among different models as shown below. For more information, see [References](#).

- LEVEL=1** Shichman-Hodges model (see reference [1])
- LEVEL=2** geometry-based, analytic model (see reference [2])
- LEVEL=3** semi-empirical, short-channel model (see reference [2])
- LEVEL=4** BSIM model (see reference [3])
- LEVEL=5** EKV model version 2.6 (see reference [10])
- LEVEL=6** BSIM3 model version 2.0 (see reference [7])
- LEVEL=7** BSIM3 model version 3.1 (see reference [8])

Capture parts

The following table lists the set of MOSFET breakout parts designed for customizing model parameters for simulation. These are useful for setting up Monte Carlo and worst-case analyses with device and/or lot tolerances specified for individual model parameters.

Part name	Model type	Property	Property description
MBREAKN	NMOS	L	channel length
MBREAKN3		W	channel width
MBREAKN4		AD	drain diffusion area
MBREAKP	PMOS	AS	source diffusion area
MBREAKP3		PD	drain diffusion perimeter
MBREAKP4		PS	source diffusion perimeter
		NRD	relative drain resistivity (in squares)
		NRS	relative source resistivity (in squares)
		NRG	relative gate resistivity (in squares)
		NRB	relative substrate resistivity (in squares)
		M	device multiplier (simulating parallel devices)
		MODEL	NMOS or PMOS model name

Setting operating temperature

Operating temperature can be set to be different from the global circuit temperature by defining one of the model parameters: T_ABS, T_REL_GLOBAL, or T_REL_LOCAL. Additionally, model parameters can be assigned unique measurement temperatures using the T_MEASURED model parameter. For more information, see [MOSFET model parameters](#).

MOSFET model parameters

For all model levels

The parameters common to all model levels are primarily parasitic element values such as series resistance, overlap and junction capacitance, and so on.

Model levels 1, 2, and 3

The DC characteristics of the first three model levels are defined by the parameters **VTO**, **KP**, **LAMBDA**, **PHI**, and **GAMMA**. These are computed by the simulator if process parameters (e.g., **TOX**, and **NSUB**) are given, but the user-specified values always override. **VTO** is positive (negative) for enhancement mode and negative (positive) for depletion mode of N-channel (P-channel) devices.



The default value for **TOX** is 0.1 μ for Levels 2 and 3, but is unspecified for Level 1, which discontinues the use of process parameters.

For MOSFETs the capacitance model has been changed to conserve charge, affecting only the Level 1, 2, and 3 models.

Effective length and width for device parameters are calculated with the formula:

$$P_i = P_0 + P_l/L_e + P_w/W_e$$

where:

$$L_e = \text{effective length} = L - (LD \cdot 2)$$

$$W_e = \text{effective width} = W - (WD \cdot 2)$$

See [.MODEL \(model definition\)](#) for more information.

Model level 4



Unlike the other models in PSpice, the BSIM model is designed for use with a process characterization system that provides all parameters. Therefore, there are no defaults specified for the parameters, and leaving one out can cause problems.

The **LEVEL=4** (BSIM1) model parameters are all values obtained from process characterization, and can be generated automatically. Reference [4] of [References](#) describes a means of generating a process file, which must then be converted into [.MODEL \(model definition\)](#) statements for inclusion in the Model Library or circuit file. (The simulator does not read process files.)

The level 4 (BSIM) and level 6 (BSIM3 version 2) models have their own capacitance model, which conserves charge and remains unchanged. References [6] and [7] describe the equations for the capacitance due to channel charge.

In the following [MOSFET model parameters](#) list, parameters marked with a ζ in the Default column also have corresponding parameters with a length and width dependency. For

example, VFB is a basic parameter using units of volts, and LVFB and WVFB also exist and have units of volt· μ . The formula

$$P_i = P_0 + P_l/L_e + P_w/W_e$$

is used to evaluate the parameter for the actual device, where:

L_e = effective length = $L - DL$

W_e = effective width = $W - DW$

Model level 5 (EKV version 2.6)

The EKV model is a scaleable and compact model built on fundamental physical properties of the device. Use this model to design low-voltage, low-current analog, and mixed analog-digital circuits that use sub-micron technologies. The charge-based static, quasi-static dynamic, and noise models are all derived from the normalized transconductance-to-current ratio, which is accurately described for all levels of current, including the moderate inversion region. A single I-V expression preserves the continuity of first- and higher-order derivatives with respect to any terminal voltage in all regions of device operation.

Version 2.6 models the following:

- geometrical and process related aspects of the device (oxide thickness, junction depth, effective channel length and width, and so on)
- effects of doping profile and substrate effects
- weak, moderate, and strong inversion behavior
- mobility effects due to vertical and lateral fields and carrier velocity saturation
- short-channel effects such as channel-length modulation, source and drain charge sharing, and the reverse short channel effect
- thermal and flicker noise modeling
- short-distance geometry and bias-dependent device matching for Monte Carlo analysis.

For more detailed model information, see reference [10] of [References](#).

Additional notes

Note 1 The **DL** and **DW** parameters usually have a negative value.

Note 2 0 (zero) and O (the letter O) are not interchangeable. For example, use **VTO**, not **VT0** (VTO is referenced to the bulk); use **E0**, not **EO**; use **Q0**, not **QO**.

Note 3 Use the **AVTO**, **AKP**, and **AGAMMA** model parameters with a DEV tolerance to perform Monte Carlo and Sensitivity/Worst-Case analyses. Their default values cannot be changed.

The device-to-device matching of MOSFETs depends on the gate area, $W \cdot L$. Using **AVTO**, **AKP**, and **AGAMMA** with a DEV tolerance applies the matching scaling law for the model equations and derives the device matching statistics (DEV tolerance) from a single normalized parameter. (Without these parameters, you would need to use a dedicated .MODEL card with a DEV tolerance for **VTO**, **KP** and **GAMMA** for each value of the gate area used in your design.)

Do not apply the LOT specification, which is a measure of the ability of the process to control the absolute value of a model parameter, to **AVTO**, **AKP**, and **AGAMMA**, because this would be redundant with the LOT specification for **VTO**, **KP**, and **GAMMA**.

Note 4 Use the model parameter **HDIF** with the device parallel multiplier, M , to set default values for **AD**, **AS**, **PD**, and **PS**. Use **HDIF** only for the MOSEKV (Level 5) model.

When **HDIF** is specified, the following equations are used.

$$\mathbf{NRD} = \mathbf{HDIF}/W$$

$$\mathbf{NRS} = \mathbf{HDIF}/W$$

For $M = 1$, the following equations are used.

$$\mathbf{AD} = (2 \cdot \mathbf{HDIF}) \cdot W$$

$$\mathbf{AS} = (2 \cdot \mathbf{HDIF}) \cdot W$$

$$\mathbf{PD} = 2 \cdot ((2 \cdot \mathbf{HDIF}) + W)$$

$$\mathbf{PS} = 2 \cdot (2 \cdot \mathbf{HDIF}) + W$$

For $M \geq 2$ and even:

$$\mathbf{AD} = \mathbf{HDIF} \cdot W$$

$$\mathbf{AS} = (\mathbf{HDIF} + (2 \cdot \mathbf{HDIF})/M) \cdot W$$

$$\mathbf{PD} = (2 \cdot \mathbf{HDIF}) + W$$

$$\mathbf{PS} = (2 \cdot \mathbf{HDIF}) + W + 2 \cdot ((2 \cdot \mathbf{HDIF}) + W)/M$$

For $M \geq 2$ and odd:

$$\mathbf{AD} = (\mathbf{HDIF} + (\mathbf{HDIF}/M)) \cdot W$$

$$\mathbf{AS} = (\mathbf{HDIF} + (\mathbf{HDIF}/M)) \cdot W$$

$$\mathbf{PD} = (2 \cdot \mathbf{HDIF}) + W + ((2 \cdot \mathbf{HDIF}) + W)/M$$

$$\mathbf{PS} = (2 \cdot \mathbf{HDIF}) + W + ((2 \cdot \mathbf{HDIF}) + W)/M$$

Note 5 If **RGSH** is specified, the default value for **NRG** is set to $0.5 \cdot W/L$.

Note 6 The model parameters **TOX**, **NSUB**, **VFB**, **UO**, and **VMAX** accommodate scaling behavior of the process and basic intrinsic model parameters, as well as statistical circuit simulation. These parameters are only used if **COX**, **GAMMA**, and/or **PHI**, **VTO**, **KP**, and **UCRIT** are not specified, respectively. Furthermore, a simpler mobility reduction model due to vertical field is accessible through the mobility reduction coefficient, **THETA**. **THETA** is only used if **E0** is not specified.

Model level 6 (BSIM3 version 2.0)



The Level 6 Advanced parameters should not be changed unless the detail structure of the device is known and has specific, meaningful values.

The BSIM3 model is a physical model using extensive built-in dependencies of important dimensional and processing parameters. It includes the major effects that are important to modeling deep-submicrometer MOSFETs, such as threshold voltage reduction, nonuniform doping, mobility reduction due to the vertical field, bulk charge effect, carrier velocity saturation, drain-induced barrier lowering (DIBL), channel length modulation (CLM), hot-carrier-induced output resistance reduction, subthreshold conduction, source/drain parasitic resistance, substrate current induced body effect (SCBE), and drain voltage reduction in LDD structure. For additional, detailed model information, see [References](#).

Additional notes

Note 1 If any of the following BSIM3 version 2.0 model parameters are not explicitly specified, they are calculated using the following equations.

$$V_{TH0} = V_{FB} + \Phi + K \sqrt{\Phi}$$

$$K1 = \text{GAMMA2} - 2 \cdot K2 \sqrt{(\Phi - V_{BM})}$$

$$K2 = \frac{(\text{GAMMA1} - \text{GAMMA2})(\sqrt{\Phi - V_{BX}} - \sqrt{\Phi})}{2\sqrt{\Phi}(\sqrt{\Phi - V_{BX}} - \sqrt{\Phi}) + V_{BM}}$$

$$V_{BF} = V_{TH0} - \Phi - K1 \sqrt{\Phi}$$

$$\Phi = 2V_{tm} \ln\left(\frac{N_{PEAK}}{n_i}\right)$$

$$\text{GAMMA1} = \frac{\sqrt{2q\epsilon_{si} N_{PEAK}}}{C_{OX}}$$

$$\text{GAMMA2} = \frac{\sqrt{2q\epsilon_{si} N_{SUB}}}{C_{OX}}$$

$$V_{BX} = \Phi - q \cdot N_{PEAK} \cdot X_T^2 / (2\epsilon_{si})$$

$$LITL = \sqrt{\frac{\epsilon_{si} \cdot \text{TOXX}_j}{\epsilon_{ox}}}$$

Note 2 Default values listed for the BSIM3 version 2.0 parameters **UA**, **UB**, **UC**, **UA1**, **AB1**, and **UC1** are used for simplified mobility modeling.

Model level 7 (BSIM3 version 3.1)

The BSIM3 version 3.1 model was developed by the University of California, Berkeley, as a deep submicron MOSFET model with the same physical basis as the BSIM3 version 2 model, but with a number of major enhancements, such as a single I-V expression to describe current and output conductance in all regions of device operation, better modeling of narrow width devices, a reformulated capacitance model to improve short and narrow geometry models, a

new relaxation time model to improve transient modeling, and improved model fitting of various W/L ratios using one parameter set. BSIM3 version 3.1 retains the extensive built-in dependencies of dimensional and processing parameters of BSIM3 version 2. For additional, detailed model information, see Reference [8] of [References](#).

Additional notes

Note 1 If any of the following BSIM3 version 3.1 model parameters are not explicitly specified, they are calculated using the following equations:

If **VTHO** is not specified, then:

$$\mathbf{VTHO} = \mathbf{VFB} + \phi_s \mathbf{K1} \sqrt{\phi_s}$$

where:

$$\mathbf{VFB} = -1.0$$

If **VTHO** is specified, then:

$$\mathbf{VFB} = \mathbf{VTHO} - \phi_s + \mathbf{K1} \sqrt{\phi_s}$$

$$\mathbf{VBX} = \phi_s - \frac{q \cdot \mathbf{NCH} \cdot \mathbf{XT}^2}{2 \cdot \epsilon_{si}}$$

$$\mathbf{CF} = \left(\frac{2\epsilon_{ox}}{\pi} \right) \ln \left(1 + \frac{4 \times 10^{-7}}{\mathbf{TOX}} \right)$$

where

$$E_g(T) = \text{the energy bandgap at temperature } T = 1.16 - \frac{(7.02 \cdot 10^{-4} \cdot T^2)}{(T + 1108)}$$

Note 2 If **K1** AND **K2** are not specified, they are calculated using the following equations:

$$\mathbf{K1} = \mathbf{GAMMA2} - 2\mathbf{K2} \sqrt{\phi_s - \mathbf{VBM}}$$

$$\mathbf{K2} = \frac{(\mathbf{GAMMA1} - \mathbf{GAMMA2})(\sqrt{\phi_s - \mathbf{VBX}} - \sqrt{\phi_s})}{2\sqrt{\phi_s}(\sqrt{\phi_s - \mathbf{VBM}} - \sqrt{\phi_s}) + \mathbf{VBM}}$$

where:

$$\phi_s = 2V_t \cdot \ln \left(\frac{\mathbf{NCH}}{n_i} \right)$$

$$V_t = \frac{k \cdot T}{q}$$

$$n_i = 1.45 \cdot 10^{10} \left(\frac{T}{300.15} \right)^{1.5} \exp \left(21.5565981 - \frac{E_g(T)}{2V_t} \right)$$

Note 3 If **NCH** is not given and **GAMMA1** is given, then:

$$\mathbf{NCH} = \frac{\mathbf{GAMMA1}^2 \cdot (\mathbf{Cox})^2}{2q \cdot \epsilon_{si}}$$

If neither **GAMMA1** nor **NCH** is given, then **NCH** has a default value of $1.7e23 \text{ 1/m}^3$ and **GAMMA1** is calculated from **NCH**:

$$\mathbf{GAMMA1} = \frac{\sqrt{2q \cdot \epsilon_{si} \cdot \mathbf{NCH}}}{\mathbf{Cox}}$$

If **GAMMA2** is not given, then:

$$\mathbf{GAMMA2} = \frac{\sqrt{2q \cdot \epsilon_{si} \cdot \mathbf{NSUB}}}{C_{ox}}$$

Note 3 If **CGSO** is not given and **DLC**>0, then:

$$\mathbf{CGSO} = (\mathbf{DLC} \cdot C_{ox}) - \mathbf{CGSL}$$

If the previously calculated **CGSO**<0, then:

$$\mathbf{CGSO} = 0$$

Else:

$$\mathbf{CGSO} = 0.6 \cdot \mathbf{XJ} \cdot C_{ox}$$

Note 4 If **CGDO** is not given and **DLC**>0, then:

$$\mathbf{CGDO} = (\mathbf{DLC} \cdot C_{ox}) - \mathbf{CGSL}$$

If the previously calculated **CGDO**<0, then

$$\mathbf{CGDO} = 0$$

Else:

$$\mathbf{CGDO} = 0.6 \cdot \mathbf{XJ} \cdot C_{ox}$$

MOSFET model parameters

Parameter*	Description	Unit	Default
all levels			
AF	flicker noise exponent		1
CBD	zero-bias bulk-drain $p-n$ capacitance	farad	0
CBS	zero-bias bulk-source $p-n$ capacitance	farad	0
CGBO	gate-bulk overlap capacitance/channel length	farad/meter	0
CGDO	gate-drain overlap capacitance/channel width	farad/meter	0
CGSO	gate-source overlap capacitance/channel width	farad/meter	0
CJ	bulk $p-n$ zero-bias bottom capacitance/area	farad/meter ²	0
CJSW	bulk $p-n$ zero-bias sidewall capacitance/length	farad/meter	0
FC	bulk $p-n$ forward-bias capacitance coefficient		0.5
GDSNOI	channel shot noise coefficient (use with NLEV=3)		1
IS	bulk $p-n$ saturation current	amp	1E-14
JS	bulk $p-n$ saturation current/area	amp/meter ²	0
JSSW	bulk $p-n$ saturation sidewall current/length	amp/meter	0
KF	flicker noise coefficient		0
L	channel length	meter	DEFL
LEVEL	model index		1
MJ	bulk $p-n$ bottom grading coefficient		0.5
MJSW	bulk $p-n$ sidewall grading coefficient		0.33
N	bulk $p-n$ emission coefficient		1
NLEV	noise equation selector		2
PB	bulk $p-n$ bottom potential	volt	0.8
PBSW	bulk $p-n$ sidewall potential	volt	PB
RB	bulk ohmic resistance	ohm	0
RD	drain ohmic resistance	ohm	0
RDS	drain-source shunt resistance	ohm	infinite
RG	gate ohmic resistance	ohm	0
RS	source ohmic resistance	ohm	0
RSH	drain, source diffusion sheet resistance	ohm/square	0
TT	bulk $p-n$ transit time	sec	0

MOSFET model parameters (continued)

Parameter*	Description	Unit	Default
T_ABS †	absolute temperature	°C	
T_MEASURED †	measured temperature	°C	
T_REL_GLOBAL †	relative to current temperature	°C	
T_REL_LOCAL †	relative to AKO model temperature	°C	
W	channel width	meter	DEFW
levels 1, 2, and 3			
DELTA	width effect on threshold		0
ETA	static feedback (Level 3)		0
GAMMA	bulk threshold parameter	volt ^{1/2}	see page 176
KP	transconductance coefficient	amp/volt ²	2.0E-5
KAPPA	saturation field factor (Level 3)		0.2
LAMBDA	channel-length modulation (Levels 1 and 2)	volt ⁻¹	0.0
LD	lateral diffusion (length)	meter	0.0
NEFF	channel charge coefficient (Level 2)		1.0
NFS	fast surface state density	1/cm ²	0.0
NSS	surface state density	1/cm ²	none
NSUB	substrate doping density	1/cm ³	none
PHI	surface potential	volt	0.6
THETA	mobility modulation (Level 3)	volt ⁻¹	0.0
TOX	oxide thickness	meter	see page 176
TPG	Gate material type: +1 = opposite of substrate -1 = same as substrate 0 = aluminum		+1
UCRIT	mobility degradation critical field (Level 2)	volt/cm	1.0E4
UEXP	mobility degradation exponent (Level 2)		0.0
UTRA	(not used) mobility degradation transverse field coefficient		0.0
UO	surface mobility (The second character is the letter O, not the numeral zero.)	cm ² /volt·sec	600
VMAX	maximum drift velocity	meter/sec	0

MOSFET model parameters (continued)

Parameter*	Description	Unit	Default
VTO	zero-bias threshold voltage	volt	0
WD	lateral diffusion (width)	meter	0
XJ	metallurgical junction depth (Levels 2 and 3)	meter	0
XQC	fraction of channel charge attributed to drain		1.0
level 4**			
DL	Channel shortening	mu-m (1E-6*m)	
DW	Channel narrowing	mu-m (1E-6*m)	
ETA	Zero-bias drain-induced barrier lowering coefficient		ζ
K1	Body effect coefficient	volt ^{1/2}	ζ
K2	Drain/source depletion charge sharing coefficient		ζ
MUS	Mobility at zero substrate bias and Vds=Vdd	cm ² /volt·sec	ζ
MUZ	Zero-bias mobility	cm ² /volt·sec	
N0	Zero-bias subthreshold slope coefficient		ζ
NB	Sens. of subthreshold slope to substrate bias		ζ
ND	Sens. of subthreshold slope to drain bias		ζ
PHI	Surface inversion potential	volt	ζ
TEMP	Temperature at which parameters were measured	°C	
TOX	Gate-oxide thickness	mu-m (1E-6*m)	
U0	Zero-bias transverse-field mobility degradation	volt ⁻¹	ζ
U1	Zero-bias velocity saturation	μ/volt	ζ
VDD	Measurement bias range	volts	
VFB	Flat-band voltage	volt	ζ
WDF	Drain, source junction default width	meter	
X2E	Sens. of drain-induced barrier lowering effect to substrate bias	volt ⁻¹	ζ
X2MS	Sens. of mobility to substrate bias @ Vds=0	cm ² /volt ² ·sec	ζ
X2MZ	Sens. of mobility to substrate bias @ Vds=0	cm ² /volt ² ·sec	ζ
X2U0	Sens. of transverse-field mobility degradation effect to substrate bias	volt ⁻²	ζ

MOSFET model parameters (continued)

Parameter*	Description	Unit	Default
X2U1	Sens. of velocity saturation effect to substrate bias	μ/volt^2	ζ
X3E	Sens. of drain-induced barrier lowering effect to drain bias @ $V_{ds} = V_{dd}$	volt^{-1}	ζ
X3MS	Sens. of mobility to drain bias @ $V_{ds}=V_{dd}$	$\text{cm}^2/\text{volt}^2\cdot\text{sec}$	ζ
X3U1	Sens. of velocity saturation effect on drain	μ/volt^2	ζ
XPART	Gate-oxide capacitance charge model flag. XPART=0 selects a 40/60 drain/source charge partition in saturation, while XPART=1 selects a 0/100 drain/source charge partition.		
level 5: process parameters			
COX	gate oxide capacitance per unit area	F/m^2	0.7E-3
XJ	junction depth	m	0.1E-6
DW	channel width correction	m	0.0 see page 177
DL	channel length correction	m	0.0 see page 177
HDIF	length of heavily doped diffusion contact to gate	m	0.0 see page 177
level 5: basic intrinsic parameters			
VTO	long-channel threshold voltage	V	0.5 see page 177
GAMMA	body effect parameter	\sqrt{V}	1.0
PHI	bulk Fermi potential ($\cdot 2$)	V	0.7
KP	transconductance parameter	A/V^2	50.0E-6
E0	mobility reduction coefficient	V/m	1.0E12 see page 177
UCRIT	longitudinal critical field	V/m	2.0E6
level 5: channel length modulation and charge sharing parameters			
LAMBDA	depletion length coefficient (channel length modulation)		0.5
WETA	narrow-channel effect coefficient		0.25
LETA	short-channel effect coefficient		0.1

MOSFET model parameters (continued)

Parameter*	Description	Unit	Default
level 5: impact ionization related parameters			
IBA	first impact ionization coefficient	1/m	0.0
IBB	second impact ionization coefficient	V/m	3.0E8
IBN	saturation voltage factor for impact ionization		1.0
level 5: intrinsic temperature parameters			
TCV	threshold voltage temperature coefficient	V/K	1.0E-3
BEX	mobility temperature exponent		-1.5
UCEX	longitudinal critical field temperature exponent		0.8
IBBT	temperature coefficient for IBB	1/K	9.0E-4
level 5: matching parameters			
AVTO	area related threshold voltage temperature coefficient	V·m	1.0E-6 see page 177
AKP	area related gain mismatch parameter	m	1.0E-6 see page 177
AGAMMA	area related body effect mismatch parameter	$\sqrt{V} \cdot m$	1.0E-6 see page 177
level 5: resistance parameters			
RBC	bulk contact resistance	ohm	0.0
RBSH	bulk layer sheet resistance	ohm/square	0.0
RDC	drain contact resistance	ohm	0.0
RGC	gate contact resistance	ohm	0.0
RGSH	gate layer sheet resistance	ohm/square	0.0 see page 178
RSC	source contact resistance	ohm	0.0
level 5: temperature parameters			
TR1	first-order temperature coefficient for drain, source series resistance	$^{\circ}\text{C}^{-1}$	0.0
TR2	second-order temperature coefficient for drain, source series resistance	$^{\circ}\text{C}^{-2}$	0.0
TRB	temperature coefficient for bulk series resistance	$^{\circ}\text{C}^{-1}$	0.0
TRG	temperature coefficient for gate series resistance	$^{\circ}\text{C}^{-1}$	0.0
XTI	drain, source junction current temperature exponent		0.0

MOSFET model parameters (continued)

Parameter*	Description	Unit	Default
level 5: optional parameters			
NSUB	channel doping	meter	see page 178
THETA	mobility reduction coefficient	volt ⁻¹	see page 178
TOX	oxide thickness	meter	see page 178
UO	low-field mobility	$\frac{\text{cm}^2}{\text{volt} \cdot \text{sec}}$	see page 178
VFB	flat-band voltage	volt	see page 178
VMAX	saturation velocity	meter/sec	see page 178
level 5: setup parameters			
SATLIM	ratio defining the saturation limit i_f / i_r		54.6
level 6			
A0	bulk charge effect coefficient NMOS bulk charge effect coefficient PMOS		1.0 4.4
A1	first non-saturation coefficient NMOS first non-saturation coefficient PMOS	1/V 1/V	0.0 0.23
A2	second non-saturation coefficient NMOS second non-saturation coefficient PMOS		1.0 0.08
AT	saturation velocity temperature coefficient	m/sec	3.3E4
BULKMOD	bulk charge model selector: NMOS PMOS		1 2
CDSC	drain/source and channel coupling capacitance	F/m ²	2.4E-4
CDSCB	body bias sensitivity of CDSC	F/Vm ²	0.0
DL	channel length reduction on one side	m	0.0
DROUT	channel length dependent coefficient of the DIBL effect on Rout		0.56
DSUB	subthreshold DIBL coefficient exponent		DROUT
DVT0	first coefficient of short-channel effect on threshold voltage		2.2
DVT1	second coefficient of short-channel effect on threshold voltage		0.53
DVT2	body bias coefficient of short-channel effect on threshold voltage	1/V	-0.032

MOSFET model parameters (continued)

Parameter*	Description	Unit	Default
DW	channel width reduction on one side	m	0.0
ETA0	DIBL coefficient in subthreshold region		0.08
ETAB	body bias coefficient for the subthreshold DIBL coefficient	1/V	-0.07
K1	first-order body effect coefficient	\sqrt{V}	see page 179
K2	second-order body effect coefficient		see page 179
K3	narrow width effect coefficient		80.0
K3B	body effect coefficient of K3	1/V	0.0
KETA	body bias coefficient of the bulk charge effect.	1/V	-0.047
KT1	temperature coefficient for threshold voltage	V	-0.11
KT1L	channel length sensitivity of temperature coefficient for threshold voltage.	V-m	0.0
KT2	body bias coefficient of the threshold voltage temperature effect		0.022
NFACTOR	subthreshold swing coefficient		1.0
NGATE	poly gate doping concentration	1/cm ³	
NLX	lateral nonuniform doping coefficient	m	1.74E-7
NPEAK	peak doping concentration near interface	1/cm ³	1.7E17
NSUB	substrate doping concentration	1/cm ³	6.0E16
PCLM	channel length modulation coefficient		1.3
PDIBL1	first output resistance DIBL effect coefficient		0.39
PDIBL2	second output resistance DIBL effect coefficient		0.0086
PSCBE1	first substrate current body effect coefficient	V/m	4.24E8
PSCBE2	second substrate current body effect coefficient	m/V	1.0E-5
PVAG	gate dependence of Early voltage		0.0
RDS0	contact resistance	ohms	0.0
RDSW	parasitic resistance per unit width	ohms/ μ m	0.0
SATMOD	saturation model selector: For semi-empirical output: resistance model 1 For physical output: resistance model 2		2

MOSFET model parameters (continued)

Parameter*	Description	Unit	Default
SUBTHMOD	subthreshold model selector: no subthreshold model 0 BSIM1 subthreshold model 1 BSIM3 subthreshold model 2 BSIM3 subthreshold model using log current 3		2
TNOM	temperature at which parameters are extracted.	deg. C	27
TOX	gate oxide thickness	m	1.5E-8
UA	first-order mobility degradation coefficient	m/V	2.25E-9
UA1	temperature coefficient for UA	m/V	4.31E-9
UB	second-order mobility degradation coefficient	(m/V) ²	5.87E-19
UB1	temperature coefficient for UB	(m/V) ²	-7.61E-18
UC	body effect mobility degradation coefficient	1/V	0.0465
UC1	temperature coefficient for UC	1/V	-0.056
UTE	mobility temperature exponent		-1.5
VOFF	offset voltage in subthreshold region	V	-0.11
VSAT	saturation velocity at Temp= TNOM	cm/sec	8.0E6
VTH0	threshold voltage at V _{bs} =0 for large channel length	V	see page 179
W0	narrow width effect parameter	m	2.5E-6
XJ	junction depth	m	1.5E-7
XPART	charge partitioning coefficient: no charge model < 0.0 40/60 partition = 0.0 50/50 partition = 0.5 0/100 partition = 1.0		0.0
level 6 advanced			
CIT	capacitance due to interface trapped charge	F/m ²	0.0
EM	critical electrical field in channel	V/m	4.1E7
ETA	drain voltage reduction coefficient due to LDD		0.3
GAMMA1	body effect coefficient near the interface	\sqrt{V}	see page 179
GAMMA2	body effect coefficient in the bulk	\sqrt{V}	see page 179
LDD	total length of the LDD region	m	0.0
LITL	characteristic length related to current depth	m	see page 179

MOSFET model parameters (continued)

Parameter*	Description	Unit	Default
PHI	surface potential under strong inversion	V	see page 179
U0	mobility at Temp=TNOM: NMOS PMOS	cm ² /V-sec cm ² /V-sec	670.0 250.0
VBM	maximum applied body bias	V	-5.0
VBX	vbs at which the depletion width equals XT	V	see page 179
VFB	flat-band voltage	V	see page 179
VGHIGH	voltage shift of the higher bound of the transition region	V	0.12
VGLOW	voltage shift of the lower bound of the transition region	V	-0.12
XT	doping depth	m	1.55E-7
level 7: control parameters			
CAPMOD	flag for the short-channel capacitance model	none	2
MOBMOD	mobility model selector	none	1
NOIMOD	flag for noise model	none	1
	Note Note: The BSIM3v3 noise model (NOIMOD and its parameters) is used rather than the PSpice noise model (NLEV).		
NQSMOD	flag for NQS model	none	0
PARAMCHK	flag for model parameter checking	none	0
level 7: AC and capacitance parameters			
CF	fringing field capacitance	F/m	see page 180
CKAPPA	coefficient for lightly doped region overlap capacitance fringing field capacitance	F/m	0.6
CLC	constant term for the short-channel model	m	0.1E-6
CLE	exponential term for the short-channel model	none	0.6
CGBO	gate-bulk overlap capacitance per unit channel length	F/m	0.0
CGDL	light-doped drain-gate region overlap capacitance	F/m	0.0
CGDO	non-LDD region drain-gate overlap capacitance per channel length	F/m	see page 181
CGSL	light-doped source-gate region overlap capacitance	F/m	0.0

MOSFET model parameters (continued)

Parameter*	Description	Unit	Default
CGSO	non-LDD region source-gate overlap capacitance per channel length	F/m	see page 181
CJ	bottom junction capacitance per unit area	F/m ²	5.0E-4
CJSW	source/drain side junction capacitance per unit periphery	F/m	5.0E-10
CJSWG	source/drain gate sidewall junction capacitance per unit width	F/m	CJSW
DLC	length offset fitting parameter from C-V	m	LINT
DWC	width offset fitting parameter from C-V	m	WINT
MJ	bottom junction capacitance grading coefficient	none	0.5
MJSW	source/drain side junction capacitance grading coefficient	none	0.33
MJSWG	source/drain gate sidewall junction capacitance grading coefficient	none	MJSW
PB	bottom built-in potential	V	1.0
PBSW	source/drain side junction built-in potential	V	1.0
PBSWG	source/drain gate sidewall junction built-in potential	V	PBSW
VFBCV	flat-band voltage parameter (for CAPMOD = 0 only)	V	-1.0
XPART	charge partitioning rate flag	none	0.0
level 7: bin description parameters			
BINUNIT	bin unit scale selector	none	1.0
LMAX	maximum channel length	m	1.0
LMIN	minimum channel length	m	0.0
WMAX	maximum channel width	m	1.0
WMIN	minimum channel width	m	0.0
level 7: DC parameters			
A0	bulk charge effect coefficient for channel length	none	1.0
A1	first non-saturation effect parameter	1/V	0.0
A2	second non-saturation factor	none	1.0
AGS	gate-bias coefficient of Abulk	1/V	0.0
ALPHA0	first parameter of impact-ionization current	m/V	0.0

MOSFET model parameters (continued)

Parameter*	Description	Unit	Default
B0	bulk charge effect coefficient for channel width	m	0.0
B1	bulk charge effect width offset	m	0.0
BETA0	second parameter of impact-ionization current	V	30.0
CDSC	drain/source to channel coupling capacitance	F/m ²	2.4E-4
CDSCB	body-bias sensitivity of CDSC	F/Vm ²	0.0
CDSCD	drain-bias sensitivity of CDSC	F/Vm ²	0.0
CIT	interface trap capacitance	F/m ²	0.0
DELTA	effective Vds parameter	V	0.01
DROUT	L-dependence coefficient of the DIBL correction parameter in Rout	none	0.56
DSUB	DIBL coefficient exponent in subthreshold region	none	DROUT
DVT0	first coefficient of short-channel effect on threshold voltage	none	2.2
DVT0W	first coefficient of narrow-width effect on threshold voltage for small-channel length	1/m	0.0
DVT1	second coefficient of short-channel effect on threshold voltage	none	0.53
DVT2	body-bias coefficient of short-channel effect on threshold voltage	1/V	-0.032
DVT1W	second coefficient of narrow-width effect on threshold voltage for small channel length	1/m	5.3E6
DVT2W	body-bias coefficient of narrow-width effect for small channel length	1/V	-0.032
DWB	coefficient of substrate body bias dependence of Weff	m/V ^{1/2}	0.0
DWG	coefficient of gate dependence of Weff	m/V	0.0
ETA0	DIBL coefficient in subthreshold region	none	0.08
ETAB	body-bias coefficient for the subthreshold DIBL effect	1/V	-0.07
JS	source-drain junction saturation current per unit area	A/m ²	1.0E-4
JSW	sidewall saturation current per unit length	A/m	0.0
K1	first-order body effect coefficient	V ^{1/2}	0.5

see page [180](#)

MOSFET model parameters (continued)

Parameter*	Description	Unit	Default
K2	second-order body effect coefficient	none	0.0 see page 180
K3	narrow width coefficient	none	80.0
K3B	body effect coefficient of K3	1/V	0.0
KETA	body-bias coefficient of bulk charge effect	1/V	-0.047
LINT	length offset fitting parameter from I-V without bias	m	0.0
NFACTOR	subthreshold swing factor	none	1.0
NGATE	poly gate doping concentration	cm ⁻³	0.0
NLX	lateral non-uniform doping parameter	m	1.74E-7
PCLM	channel length modulation parameter	none	1.3
PDIBLC1	first output resistance DIBL effect correction parameter	none	0.39
PDIBLC2	second output resistance DIBL effect correction parameter	none	0.0086
PDIBLCB	body effect coefficient of DIBL correction parameter	1/V	0.0
PRWB	body effect coefficient of RDSW	1/V ^{1/2}	0.0
PRWG	gate-bias effect coefficient of RDSW	1/V	0.0
PSCBE1	first substrate current body effect parameter	V/m	4.24E8
PSCBE2	second substrate current body effect parameter	V/m	1.0E-5
PVAG	gate dependence of Early voltage	none	0.0
RDSW	parasitic resistance per unit width	Ω-μm ^{WR}	0.0
RSH	source-drain sheet resistance	Ω/square	0.0
U0	mobility at Temp= TNOM NMOS PMOS	670.0 250.0	cm ² /(V·sec)
UA	first-order mobility degradation coefficient	m/V	2.25E-9
UB	second-order mobility degradation coefficient	(m/V) ²	5.87E-19
UC	body effect of mobility degradation coefficient	m/V ² 1/V	-4.65E-11 when MOBMOD =1 or 2 -0.046 when MOBMOD =3

MOSFET model parameters (continued)

Parameter*	Description	Unit	Default
VBM	maximum applied body-bias in threshold voltage calculation	V	-3.0
VOFF	offset voltage in the subthreshold region at large W and L	V	-0.08
VSAT	saturation velocity at Temp= TNOM	m/sec	8.0E 4
VTH0	threshold voltage@Vbs=0 for large L	V	0.7 (NMOS) -0.7 (PMOS) see page 179
W0	narrow-width parameter	m	2.5E-6
WINT	width-offset fitting parameter from I-V without bias	m	0.0
WR	width-offset from Weff for Rds calculation	none	1.0
Level 7: flicker noise parameters			
AF	frequency exponent	none	1.0
EF	flicker exponent	none	1.0
EM	saturation field	V/m	4.1E7
KF	flicker noise parameter	none	0.0
NOIA	noise parameter A	none	1.0E20 (NMOS) 9.9E18 (PMOS)
NOIB	noise parameter B	none	5.0E4 (NMOS) 2.4E3 (PMOS)
NOIC	noise parameter C	none	-1.4E-12(NMOS) 1.4E-12 (PMOS)
level 7: NQS parameter			
ELM	Elmore constant of the channel	none	5.0
level 7: process parameters			
GAMMA1	body effect coefficient near the surface	$V^{1/2}$	see page 180
GAMMA2	body effect coefficient in the bulk	$V^{1/2}$	see page 180
NCH	channel doping concentration	$1/\text{cm}^3$	1.7E17
NSUB	substrate doping concentration	$1/\text{cm}^3$	6.0E16
TOX	gate-oxide thickness	m	1.5E-8
VBX	Vbs at which the depletion region = XT	V	see page 180
XJ	junction depth	m	1.5E-7

MOSFET model parameters (continued)

Parameter*	Description	Unit	Default
XT	doping depth	m	1.55E-7
level 7: temperature parameters			
AT	temperature coefficient for saturation velocity	m/sec	3.3E4
KT1	temperature coefficient for threshold voltage	V	-0.11
KT1L	channel length dependence of the temperature coefficient for threshold voltage	V*m	0.0
KT2	body-bias coefficient of threshold voltage temperature effect	none	0.022
NJ	emission coefficient of junction	none	1.0
PRT	temperature coefficient for RDSW	$\Omega\text{-}\mu\text{m}$	0.0
TNOM	temperature at which parameters are extracted	$^{\circ}\text{C}$	27.0
UA1	temperature coefficient for UA	m/V	4.31E-9
UB1	temperature coefficient for UB	$(\text{m}/\text{V})^2$	-7.61E-18
UC1	temperature coefficient for UC	m/V^2	-5.6E -11 when MOBMOD =1 or 2
		1/V	-0.056 when MOBMOD =3
UTE	mobility temperature exponent	none	-1.5
XTI	junction current temperature exponent coefficient	none	3.0
level 7: W and L parameters			
LL	coefficient of length dependence for length offset	m^{LLN}	0.0
LLN	power of length dependence for length offset	none	1.0
LW	coefficient of width dependence for length offset	m^{LWN}	0.0
LWL	coefficient of length and width cross term for length offset	$\text{m}^{\text{LWN}+\text{LLN}}$	0.0
LWN	power of width dependence for length offset	none	1.0
WL	coefficient of length dependence for width offset	m^{WLN}	0.0
WLN	power of length dependence of width offset	none	1.0
WW	coefficient of width dependence for width offset	m^{WWN}	0.0
WWL	coefficient of length and width cross term for width offset	$\text{m}^{\text{WWN}+\text{WLN}}$	0.0
WWN	power of width dependence of width offset	none	1.0

* See [MODEL \(model definition\)](#).

**A ζ in the Default column indicates that the parameter may have corresponding parameters exhibiting length and width dependence. See [Model level 4](#).

† For information on `T_MEASURED`, `T_ABS`, `T_REL_GLOBAL`, and `T_REL_LOCAL`, see [.MODEL \(model definition\)](#).

MOSFET Equations

These equations describe an N-channel MOSFET. For P-channel devices, reverse the signs of all voltages and currents.

In the following equations:

V_{bs}	= intrinsic substrate-intrinsic source voltage
V_{bd}	= intrinsic substrate-intrinsic drain voltage
V_{ds}	= intrinsic drain-intrinsic source voltage
V_{dsat}	= saturation voltage
V_{gs}	= intrinsic gate-intrinsic source voltage
V_{gd}	= intrinsic gate-intrinsic drain voltage
V_t	= $k \cdot T / q$ (thermal voltage)
V_{th}	= threshold voltage
C_{ox}	= the gate oxide capacitance per unit area.
f	= noise frequency
k	= Boltzmann's constant
q	= electron charge
L_{eff}	= effective channel length
W_{eff}	= effective channel width
T	= analysis temperature (°K)
T_{nom}	= nominal temperature (set using TNOM option)

Other variables are from [MOSFET model parameters](#).



Positive current is current flowing into a terminal (for example, positive drain current flows from the drain through the channel to the source).

MOSFET equations for DC current

all levels

$I_g = \text{gate current} = 0$

$I_b = \text{bulk current} = I_{bs} + I_{bd}$

where

$I_{bs} = \text{bulk-source leakage current} = I_{ss} \cdot (e^{V_{bs}/(N \cdot V_t)} - 1)$

$I_{bd} = \text{bulk-drain leakage current} = I_{ds} \cdot (e^{V_{bd}/(N \cdot V_t)} - 1)$

where

if

$\mathbf{JS} = 0$, or $\mathbf{AS} = 0$, or $\mathbf{AD} = 0$

then

$I_{ss} = I_S$

$I_{ds} = I_S$

else

$I_{ss} = \mathbf{AS} \cdot \mathbf{JS} + \mathbf{PS} \cdot \mathbf{JSSW}$

$I_{ds} = \mathbf{AD} \cdot \mathbf{JS} + \mathbf{PD} \cdot \mathbf{JSSW}$

$I_d = \text{drain current} = I_{\text{drain}} - I_{bd}$

$I_s = \text{source current} = -I_{\text{drain}} - I_{bs}$

level 1: Idrain

Normal mode: $V_{ds} > 0$

Case 1

for cutoff region: $V_{gs} - V_{to} < 0$

then: $I_{\text{drain}} = 0$

Case 2

for linear region: $V_{ds} < V_{gs} - V_{to}$

then: $I_{\text{drain}} = (W/L) \cdot (KP/2) \cdot (1 + \mathbf{LAMBDA} \cdot V_{ds}) \cdot V_{ds} \cdot (2 \cdot (V_{gs} - V_{to}) - V_{ds})$

Case 3

for saturation region: $0 \leq V_{gs} - V_{to} \leq V_{ds}$

then: $I_{\text{drain}} = (W/L) \cdot (KP/2) \cdot (1 + \mathbf{LAMBDA} \cdot V_{ds}) \cdot (V_{gs} - V_{to})^2$

where

$V_{to} = \mathbf{VTO} + \mathbf{GAMMA} \cdot ((\mathbf{PHI} - V_{bs})^{1/2} - \mathbf{PHI}^{1/2})$

Inverted mode: $V_{ds} < 0$

Switch the source and drain in the normal mode equations above.

Levels 2 and 3: Idrain

See reference [2] of [References](#) for detailed information.

MOSFET equations for capacitance



All capacitances are between terminals of the intrinsic MOSFET, in other words, to the inside of the ohmic drain and source resistances. For levels 1, 2, and 3, the capacitance model has been changed to conserve charge.

levels 1, 2, and 3

C_{bs} = bulk-source capacitance = area cap. + sidewall cap. + transit time cap.

C_{bd} = bulk-drain capacitance = area cap. + sidewall cap. + transit time cap.

where

if

$$\mathbf{CBS} = 0 \quad \mathbf{AND} \quad \mathbf{CBD} = 0$$

then

$$C_{bs} = \mathbf{AS} \cdot \mathbf{CJ} \cdot C_{bsj} + \mathbf{PS} \cdot \mathbf{CJSW} \cdot C_{bss} + \mathbf{TT} \cdot G_{bs}$$

$$C_{bd} = \mathbf{AD} \cdot \mathbf{CJ} \cdot C_{bdj} + \mathbf{PD} \cdot \mathbf{CJSW} \cdot C_{bds} + \mathbf{TT} \cdot G_{ds}$$

else

$$C_{bs} = \mathbf{CBS} \cdot C_{bsj} + \mathbf{PS} \cdot \mathbf{CJSW} \cdot C_{bss} + \mathbf{TT} \cdot G_{bs}$$

$$C_{bd} = \mathbf{CBD} \cdot C_{bdj} + \mathbf{PD} \cdot \mathbf{CJSW} \cdot C_{bds} + \mathbf{TT} \cdot G_{ds}$$

where

$$G_{bs} = \text{DC bulk-source conductance} = dI_{bs}/dV_{bs}$$

$$G_{bd} = \text{DC bulk-drain conductance} = dI_{bd}/dV_{bd}$$

if

$$V_{bs} \leq \mathbf{FC} \cdot \mathbf{PB}$$

then

$$C_{bsj} = (1 - V_{bs}/\mathbf{PB})^{-\mathbf{MJ}}$$

$$C_{bss} = (1 - V_{bs}/\mathbf{PBSW})^{-\mathbf{MJSW}}$$

if

$$V_{bs} > \mathbf{FC} \cdot \mathbf{PB}$$

then

$$C_{bsj} = (1 - \mathbf{FC})^{-(1+\mathbf{MJ})} \cdot (1 - \mathbf{FC} \cdot (1 + \mathbf{MJ}) + \mathbf{MJ} \cdot V_{bs}/\mathbf{PB})$$

$$C_{bss} = (1 - \mathbf{FC})^{-(1+\mathbf{MJSW})} \cdot (1 - \mathbf{FC} \cdot (1 + \mathbf{MJSW}) + \mathbf{MJSW} \cdot V_{bs}/\mathbf{PBSW})$$

if

$$V_{bd} \leq \mathbf{FC} \cdot \mathbf{PB}$$

then

$$C_{bdj} = (1 - V_{bd}/\mathbf{PB})^{-\mathbf{MJ}}$$

$$C_{bds} = (1 - V_{bd}/\mathbf{PBSW})^{-\mathbf{MJSW}}$$

if

$$V_{bd} > \mathbf{FC} \cdot \mathbf{PB}$$

then

$$C_{bdj} = (1 - \mathbf{FC})^{-(1+\mathbf{MJ})} \cdot (1 - \mathbf{FC} \cdot (1 + \mathbf{MJ}) + \mathbf{MJ} \cdot V_{bd}/\mathbf{PB})$$

$$C_{bds} = (1 - \mathbf{FC})^{-(1+\mathbf{MJSW})} \cdot (1 - \mathbf{FC} \cdot (1 + \mathbf{MJSW}))$$

C_{gs} = gate-source overlap capacitance = $\mathbf{CGSO} \cdot W$

C_{gd} = gate-drain overlap capacitance = $\mathbf{CGDO} \cdot W$

C_{gb} = gate-bulk overlap capacitance = $\mathbf{CGBO} \cdot L$

levels 4 and 6

See references [6] and [7] of [References](#).

MOSFET equations for temperature effects



The ohmic (parasitic) resistances have no temperature dependence.

all levels

$$\mathbf{IS}(T) = \mathbf{IS} \cdot e^{(E_g(T_{nom}) \cdot T/T_{nom} - E_g(T))/V_t}$$

$$\mathbf{JS}(T) = \mathbf{JS} \cdot e^{(E_g(T_{nom}) \cdot T/T_{nom} - E_g(T))/V_t}$$

$$\mathbf{JSSW}(T) = \mathbf{JSSW} \cdot e^{(E_g(T_{nom}) \cdot T/T_{nom} - E_g(T))/V_t}$$

$$\mathbf{PB}(T) = \mathbf{PB} \cdot T/T_{nom} - 3 \cdot V_t \cdot \ln(T/T_{nom}) - E_g(T_{nom}) \cdot T/T_{nom} + E_g(T)$$

$$\mathbf{PBSW}(T) = \mathbf{PBSW} \cdot T/T_{nom} - 3 \cdot V_t \cdot \ln(T/T_{nom}) - E_g(T_{nom}) \cdot T/T_{nom} + E_g(T)$$

$$\mathbf{PHI}(T) = \mathbf{PHI} \cdot T/T_{nom} - 3 \cdot V_t \cdot \ln(T/T_{nom}) - E_g(T_{nom}) \cdot T/T_{nom} + E_g(T)$$

where

$$E_g(T) = \text{silicon bandgap energy} = 1.16 - .000702 \cdot T^2/(T+1108)$$

$$\mathbf{CBD}(T) = \mathbf{CBD} \cdot (1 + \mathbf{MJ} \cdot (.0004 \cdot (T - T_{nom}) + (1 - \mathbf{PB}(T)/\mathbf{PB})))$$

$$\mathbf{CBS}(T) = \mathbf{CBS} \cdot (1 + \mathbf{MJ} \cdot (.0004 \cdot (T - T_{nom}) + (1 - \mathbf{PB}(T)/\mathbf{PB})))$$

$$\mathbf{CJ}(T) = \mathbf{CJ} \cdot (1 + \mathbf{MJ} \cdot (.0004 \cdot (T - T_{nom}) + (1 - \mathbf{PB}(T)/\mathbf{PB})))$$

$$\mathbf{CJSW}(T) = \mathbf{CJSW} \cdot (1 + \mathbf{MJSW} \cdot (.0004 \cdot (T - T_{nom}) + (1 - \mathbf{PB}(T)/\mathbf{PB})))$$

$$\mathbf{KP}(T) = \mathbf{KP} \cdot (T/T_{nom})^{-3/2}$$

$$\mathbf{UO}(T) = \mathbf{UO} \cdot (T/T_{nom})^{-3/2}$$

$$\mathbf{MUS}(T) = \mathbf{MUS} \cdot (T/T_{nom})^{-3/2}$$

$$\mathbf{MUZ}(T) = \mathbf{MUZ} \cdot (T/T_{nom})^{-3/2}$$

$$\mathbf{X3MS}(T) = \mathbf{X3MS} \cdot (T/T_{nom})^{-3/2}$$

MOSFET equations for noise

Noise is calculated assuming a 1.0-hertz bandwidth, using the following spectral power densities (per unit bandwidth).

The model parameter **NLEV** is used to select the form of shot and flicker noise, and **GDSNOI** is the channel shot noise coefficient model parameter. When **NLEV**<3, the original SPICE2 shot noise equation is used in both the linear and saturation regions, but the use of this equation may produce inaccurate results in the linear region. When **NLEV**=3, a different equation is used that is valid in both linear and saturation regions.



For level 7 BSIM3 version 3.1 devices, the noise model NOIMOD (and its parameters) is used rather than the PSpice noise model NLEV.

The model parameters **AF** and **KF** are used in the small-signal AC noise analysis to determine the equivalent MOSFET flicker noise.

For more information, see reference [5] of [References](#).

MOSFET channel shot and flicker noise

$$I_{\text{chan}}^2 = I_{\text{shot}}^2 + I_{\text{flick}}^2$$

intrinsic MOSFET flicker noise

for **NLEV** = 0

$$I_{\text{flick}}^2 = \frac{\mathbf{KF} \cdot I_{\text{drain}}^{\mathbf{AF}}}{\text{COX} \cdot L_{\text{eff}}^2 \cdot f}$$

for **NLEV** = 1

$$I_{\text{flick}}^2 = \frac{\mathbf{KF} \cdot I_{\text{drain}}^{\mathbf{AF}}}{\text{COX} \cdot W_{\text{eff}} \cdot L_{\text{eff}} \cdot f}$$

for **NLEV** = 2, **NLEV** = 3

$$I_{\text{flick}}^2 = \frac{\mathbf{KF} \cdot g_{\text{m}}^2}{\text{COX} \cdot W_{\text{eff}} \cdot L_{\text{eff}} \cdot f^{\mathbf{AF}}}$$

intrinsic MOSFET shot noise

for **NLEV** < 3

$$I_{\text{shot}}^2 = \frac{8 \cdot k \cdot T \cdot g_{\text{m}}}{3}$$

for **NLEV** = 3

$$I_{\text{shot}}^2 = \frac{8 \cdot k \cdot T}{3} \times \beta \times (V_{\text{gs}} - V_{\text{th}}) \frac{1 + a + a^2}{1 + a} \times \mathbf{GDSNOI}$$

where

for linear region:

$$a = 1 - (V_{\text{ds}}/V_{\text{dsat}})$$

for saturation region:

$$a = 0$$

parasitic resistance thermal noise

RD $I_{\text{d}}^2 = 4 \cdot k \cdot T / \text{RD}$

RG $I_{\text{g}}^2 = 4 \cdot k \cdot T / \text{RG}$

RS $I_{\text{s}}^2 = 4 \cdot k \cdot T / \text{RS}$

RB $I_{\text{b}}^2 = 4 \cdot k \cdot T / \text{RB}$

References

For a more complete description of the MOSFET models, refer to:

- [1] H. Shichman and D. A. Hodges, "Modeling and simulation of insulated-gate field-effect transistor switching circuits," IEEE Journal of Solid-State Circuits, SC-3, 285, September 1968.
- [2] A. Vladimirescu, and S. Lui, "The Simulation of MOS Integrated Circuits Using SPICE2," Memorandum No. M80/7, February 1980.
- [3] B. J. Sheu, D. L. Scharfetter, P.-K. Ko, and M.-C. Jeng, "BSIM: Berkeley Short-Channel IGFET Model for MOS Transistors," IEEE Journal of Solid-State Circuits, SC-22, 558-566, August 1987.
- [4] J. R. Pierret, "A MOS Parameter Extraction Program for the BSIM Model," Memorandum No. M84/99 and M84/100, November 1984.]
- [5] P. Antognetti and G. Massobrio, Semiconductor Device Modeling with SPICE, McGraw-Hill, 1993.
- [6] Ping Yang, Berton Epler, and Pallab K. Chatterjee, "An Investigation of the Charge Conservation Problem for MOSFET Circuit Simulation," IEEE Journal of Solid-State Circuits, Vol. SC-18, No.1, February 1983.
- [7] J.H. Huang, Z.H. Liu, M.C. Jeng, K. Hui, M. Chan, P.K. KO, and C. Hu, "BSIM3 Manual," Department of Electrical Engineering and Computer Science, University of California, Berkeley, CA 94720.
- [8] Department of Electrical Engineering and Computer Science, "BSIM3v3.1 Manual," University of California, Berkeley, CA 94720.
- [9] J. C. Bowers, and H. A. Neinhuis, SPICE2 Computer Models for HEXFETs, Application Note 954A, reprinted in HEXFET Power MOSFET Databook, International Rectifier Corporation #HDB-3.
- [10] M. Bucher, C. Lallement, C. Enz, F. Theodoloz, F. Krummenacher. The EPFL-EKV MOSFET Model Equations for Simulation Technical Report: Model Version 2.6. Electronics Laboratories, Swiss Federal Institute of Technology (EPFL), Lausanne, Switzerland. Updated September, 1997.

For more information on References [2] and [4], contact:

Software Distribution Office
EECS/ERL Industrial Liaison Program
205 Cory Hall #1770
University of California
Berkeley, CA 94720-1770
(510) 643-6687



Bipolar transistor

General form Q<name> < collector node> <base node> <emitter node>
+ [substrate node] <model name> [area value]

Examples
Q1 14 2 13 PNPNO
Q13 15 3 0 1 NPNSTRONG 1.5
Q7 VC 5 12 [SUB] LATPNP

Model form
.MODEL <model name> NPN [model parameters]
.MODEL <model name> PNP [model parameters]
.MODEL <model name> LPNP [model parameters]

Arguments and options

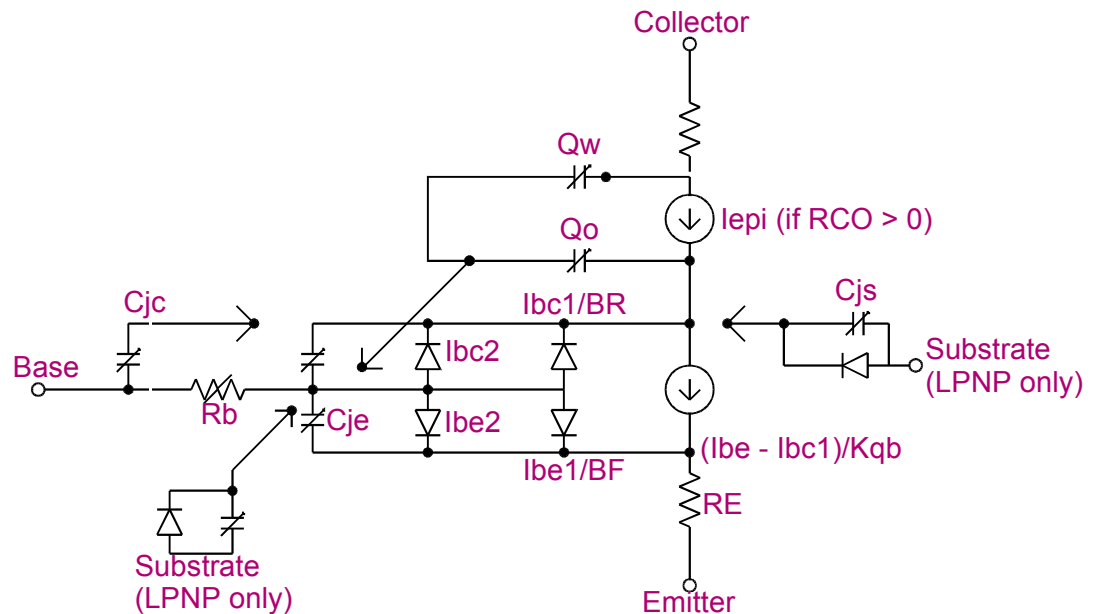
[substrate node]
is optional, and if not specified, the default is the ground.

Because the simulator allows alphanumeric names for nodes, and because there is no easy way to distinguish these from the model names, the name (not a number) used for the substrate node needs to be enclosed with square brackets []. Otherwise, nodes would be interpreted as model names. See the third example.

[area value]
is the relative device area and has a default value of 1.

Description

The bipolar transistor is modeled as an intrinsic transistor using ohmic resistances in series with the collector ($RC/area$), with the base (value varies with current, see [Bipolar transistor equations](#)), and with the emitter ($RE/area$).



Positive current is current flowing into a terminal.

For model parameters with alternate names, such as **VAF** and **VA** (the alternate name is shown by using parentheses), either name can be used.

For model types NPN and PNP, the isolation junction capacitance is connected between the intrinsic-collector and substrate nodes. This is the same as in SPICE2, or SPICE3, and works well for vertical IC transistor structures. For lateral IC transistor structures there is a third model, LPNP, where the isolation junction capacitance is connected between the intrinsic-base and substrate nodes.

Capture parts

The following table lists the set of bipolar transistor breakout parts designed for customizing model parameters for simulation. These are useful for setting up Monte Carlo and worst-case analyses with device and/or lot tolerances specified for individual model parameters.

Part name	Model type	Property	Property description
QBREAKL	LPNP	AREA	area scaling factor
		MODEL	LNP model name
QBREAKN	NPN	AREA	area scaling factor
QBREAKN3		MODEL	NPN model name
QBREAKN4			
QBREAKP	PNP	AREA	area scaling factor
QBREAKP3		MODEL	PNP model name
QBREAKP4			

Setting operating temperature

Operating temperature can be set to be different from the global circuit temperature by defining one of the model parameters: T_ABS, T_REL_GLOBAL, or T_REL_LOCAL. Additionally, model parameters can be assigned unique measurement temperatures using the T_MEASURED model parameter. See [Bipolar transistor model parameters](#) for more information.

Bipolar transistor model parameters

Model parameters*	Description	Units	Default
AF	flicker noise exponent		1.0
BF	ideal maximum forward beta		100.0
BR	ideal maximum reverse beta		1.0
CJC	base-collector zero-bias p-n capacitance	farad	0.0
CJE	base-emitter zero-bias p-n capacitance	farad	0.0
CJS (CCS)	substrate zero-bias p-n capacitance	farad	0.0
CN	quasi-saturation temperature coefficient for hole mobility		2.42 NPN 2.20 PNP
D	quasi-saturation temperature coefficient for scattering-limited hole carrier velocity		0.87 NPN 0.52 PNP
EG	bandgap voltage (barrier height)	eV	1.11
FC	forward-bias depletion capacitor coefficient		0.5
GAMMA	epitaxial region doping factor		1E-11
IKF (IK)	corner for forward-beta high-current roll-off	amp	infinite
IKR	corner for reverse-beta high-current roll-off	amp	infinite
IRB	current at which R _b falls halfway to	amp	infinite
IS	transport saturation current	amp	1E-16
ISC (C4) †	base-collector leakage saturation current	amp	0.0
ISE (C2) †	base-emitter leakage saturation current	amp	0.0
ISS	substrate p-n saturation current	amp	0.0
ITF	transit time dependency on I _c	amp	0.0
KF	flicker noise coefficient		0.0
MJC (MC)	base-collector p-n grading factor		0.33
MJE (ME)	base-emitter p-n grading factor		0.33
MJS (MS)	substrate p-n grading factor		0.0
NC	base-collector leakage emission coefficient		2.0
NE	base-emitter leakage emission coefficient		1.5
NF	forward current emission coefficient		1.0
NK	high-current roll-off coefficient		0.5
NR	reverse current emission coefficient		1.0

Model parameters*	Description	Units	Default
NS	substrate p-n emission coefficient		1.0
PTF	excess phase @ $1/(2\pi \cdot TF)$ Hz	degree	0.0
QCO	epitaxial region charge factor	coulomb	0.0
QUASIMOD	quasi-saturation model flag for temperature dependence if QUASIMOD = 0, then no GAMMA , RCO , VO temperature dependence if QUASIMOD = 1, then include GAMMA , RCO , VO temperature dependence		0
RB	zero-bias (maximum) base resistance	ohm	0.0
RBM	minimum base resistance	ohm	RB
RC	collector ohmic resistance	ohm	0.0
RCO ‡	epitaxial region resistance	ohm	0.0
RE	emitter ohmic resistance	ohm	0.0
TF	ideal forward transit time	sec	0.0
TR	ideal reverse transit time	sec	0.0
TRB1	RB temperature coefficient (linear)	°C ⁻¹	0.0
TRB2	RB temperature coefficient (quadratic)	°C ⁻²	0.0
TRC1	RC temperature coefficient (linear)	°C ⁻¹	0.0
TRC2	RC temperature coefficient (quadratic)	°C ⁻²	0.0
TRE1	RE temperature coefficient (linear)	°C ⁻¹	0.0
TRE2	RE temperature coefficient (quadratic)	°C ⁻²	0.0
TRM1	RBM temperature coefficient (linear)	°C ⁻¹	0.0
TRM2	RBM temperature coefficient (quadratic)	°C ⁻²	0.0
T_ABS	absolute temperature	°C	
T_MEASURED	measured temperature	°C	
T_REL_GLOBAL	relative to current temperature	°C	
T_REL_LOCAL	relative to AKO model temperature	°C	
VAF (VA)	forward Early voltage	volt	infinite
VAR (VB)	reverse Early voltage	volt	infinite
VG	quasi-saturation extrapolated bandgap voltage at 0° K	V	1.206
VJC (PC)	base-collector built-in potential	volt	0.75
VJE (PE)	base-emitter built-in potential	volt	0.75

Model parameters*	Description	Units	Default
VJS (PS)	substrate p-n built-in potential	volt	0.75
VO	carrier mobility knee voltage	volt	10.0
VTF	transit time dependency on Vbc	volt	infinite
XCJC	fraction of CJC connected internally to Rb		1.0
XCJC2	fraction of CJC connected internally to Rb		1.0
XCJS	fraction of CJS connected internally to Rc		
XTB	forward and reverse beta temperature coefficient		0.0
XTF	transit time bias dependence coefficient		0.0
XTI (PT)	IS temperature effect exponent		3.0

* For information on **T_MEASURED**, **T_ABS**, **T_REL_GLOBAL**, and **T_REL_LOCAL**, see [.MODEL \(model definition\)](#).

† The parameters **ISE (C2)** and **ISC (C4)** can be set to be greater than one. In this case, they are interpreted as multipliers of **IS** instead of absolute currents: that is, if **ISE** is greater than one, then it is replaced by **ISE·IS**. Likewise for **ISC**.

‡ If the model parameter **RCO** is specified, then quasi-saturation effects are included.

Distribution of the CJC capacitance

The distribution of the CJC capacitance is specified by **XCJC** and **XCJC2**. The model parameter **XCJC2** is used like **XCJC**. The differences between the two parameters are as follows.

Branch	XCJC	XCJC2
intrinsic base to intrinsic collector	XCJC·CJC	XCJC2·CJC
extrinsic base to intrinsic collector	(1.0 – XCJC)·CJC	not applicable
extrinsic base to extrinsic collector	not applicable	(1.0 – XCJC2)·CJC

When **XCJC2** is specified in the range $0 < \text{XCJC2} < 1.0$, **XCJC** is ignored. Also, the extrinsic base to extrinsic collector capacitance (**Cbx2**) and the gain-bandwidth product (Ft2) are included in the operating point information (in the output listing generated during a Bias Point Detail analysis, [.OP \(bias point\)](#)). For backward compatibility, the parameter **XCJC** and the associated calculation of Cbx and Ft remain unchanged. Cbx and Ft appears in the output listing only when **XCJC** is specified.

The use of **XCJC2** produces more accurate results because **Cbx2** (the fraction of **CJC** associated with the intrinsic collector node) now equals the ratio of the device's emitter area-to-base area. This results in a better correlation between the measured data and the gain bandwidth product (Ft2) calculated by PSpice.

XCJS, which is valid in the range $0 \leq \text{XCJS} \leq 1.0$, specifies a portion of the **CJS** capacitance to be between the external substrate and external collector nodes instead of between the external substrate and internal collector nodes. When **XJCS** is 1, **CJS** is applied totally between the external substrate and internal collector nodes. When **XCJS** is 0, **CJS** is applied totally between the external substrate and external collector codes.

Bipolar transistor equations

The equations in this section describe an NPN transistor. For the PNP and LPNP devices, reverse the signs of all voltages and currents.

The following variables are used:

- V_{be} = intrinsic base-intrinsic emitter voltage
- V_{bc} = intrinsic base-intrinsic collector voltage
- V_{bs} = intrinsic base-substrate voltage
- V_{bw} = intrinsic base-extrinsic collector voltage (quasi-saturation only)
- V_{bx} = extrinsic base-intrinsic collector voltage
- V_{ce} = intrinsic collector-intrinsic emitter voltage
- V_{js} = (NPN) intrinsic collector-substrate voltage
= (PNP) intrinsic substrate-collector voltage
= (LPNP) intrinsic base-substrate voltage
- V_t = $k \cdot T / q$ (thermal voltage)
- k = Boltzmann's constant
- q = electron charge
- T = analysis temperature (°K)
- T_{nom} = nominal temperature (set using the TNOM option)

Other variables are listed in [Bipolar transistor model parameters](#).



Positive current is current flowing into a terminal.

Bipolar transistor equations for DC current

I_b = base current = $area \cdot (I_{be1}/BF + I_{be2} + I_{bc1}/BR + I_{bc2})$

I_c = collector current = $area \cdot (I_{be1}/K_{qb} - I_{bc1}/K_{qb} - I_{bc1}/BR - I_{bc2})$

I_{be1} = forward diffusion current = $IS \cdot (e^{V_{be}/(NF \cdot V_t)} - 1)$

I_{be2} = non-ideal base-emitter current = $ISE \cdot (e^{V_{be}/(NE \cdot V_t)} - 1)$

I_{bc1} = reverse diffusion current = $IS \cdot (e^{V_{bc}/(NR \cdot V_t)} - 1)$

I_{bc2} = non-ideal base-collector current = $ISC \cdot (e^{V_{bc}/(NC \cdot V_t)} - 1)$

K_{qb} = base charge factor = $K_{q1} \cdot (1 + (1 + 4 \cdot K_{q2})^{NK})/2$

$K_{q1} = 1/(1 - V_{bc}/VAF - V_{be}/VAR)$

$K_{q2} = I_{be1}/IKF + I_{bc1}/IKR$

I_s = substrate current = $area \cdot ISS \cdot (e^{V_{js}/(NS \cdot V_t)} - 1)$

R_b = actual base parasitic resistance

Case 1

for: IRB = infinite (default value)

then: $R_b = (RBM + (RB - RBM)/K_{qb})/area$

Case 2

For: $IRB > 0$

then:

$R_b = (RBM + 3 \cdot (RB - RBM) \cdot \frac{\tan(x) - x}{x \cdot (\tan(x))^2})/area$

where:

$$x = \frac{(1 + (144/\pi^2)) \cdot I_b / (area \cdot IRB)^{1/2} - 1}{(24/\pi^2) \cdot (I_b / (area \cdot IRB))^{1/2}}$$

Bipolar transistor equations for capacitance

All capacitances, except C_{bx} , are between terminals of the intrinsic transistor which is inside of the collector, base, and emitter parasitic resistances. C_{bx} is between the intrinsic collector and the extrinsic base.

base-emitter capacitance

$$C_{be} = \text{base-emitter capacitance} = C_{tbe} + \text{area} \cdot C_{jbe}$$

$$C_{tbe} = \text{transit time capacitance} = t_f \cdot G_{be}$$

$$t_f = \text{effective TF} = \text{TF} \cdot (1 + \text{XTF} \cdot (I_{be1} / (I_{be1} + \text{area} \cdot \text{ITF}))^2 \cdot e^{V_{be} / (1.44 \cdot V_{TF})})$$

$$G_{be} = \text{DC base-emitter conductance} = (dI_{be}) / (dV_{be})$$

$$I_{be} = I_{be1} + I_{be2}$$

$$C_{jbe} = \mathbf{CJE} \cdot (1 - V_{be} / \mathbf{VJE})^{-\mathbf{MJE}} \quad \text{IF } V_{be} \leq \mathbf{FC} \cdot \mathbf{VJE}$$

$$C_{jbe} = \mathbf{CJE} \cdot (1 - \mathbf{FC})^{-(1 + \mathbf{MJE})} \cdot (1 - \mathbf{FC} \cdot (1 + \mathbf{MJE}) + \mathbf{MJE} \cdot V_{be} / \mathbf{VJE}) \quad \text{IF } V_{be} > \mathbf{FC} \cdot \mathbf{VJE}$$

base-collector capacitance

$$C_{bc} = \text{base-collector capacitance} = C_{tbc} + \text{area} \cdot \mathbf{XCJC} \cdot C_{jbc}$$

$$C_{tbc} = \text{transit time capacitance} = \mathbf{TR} \cdot G_{bc}$$

$$G_{bc} = \text{DC base-collector conductance} = (dI_{bc}) / (dV_{bc})$$

$$C_{jbc} = \mathbf{CJC} \cdot (1 - V_{bc} / \mathbf{VJC})^{-\mathbf{MJC}} \quad \text{IF } V_{bc} < \mathbf{FC} \cdot \mathbf{VJC}$$

$$C_{jbc} = \mathbf{CJC} \cdot (1 - \mathbf{FC})^{-(1 + \mathbf{MJC})} \cdot (1 - \mathbf{FC} \cdot (1 + \mathbf{MJC}) + \mathbf{MJC} \cdot V_{bc} / \mathbf{VJC}) \quad \text{IF } V_{bc} > \mathbf{FC} \cdot \mathbf{VJC}$$

extrinsic-base to intrinsic-collector capacitance

$$C_{bx} = \text{extrinsic-base to intrinsic-collector capacitance} = \text{area} \cdot (1 - \mathbf{XCJC}) \cdot C_{jbx}$$

$$C_{jbx} = \mathbf{CJC} \cdot (1 - V_{bx} / \mathbf{VJC})^{-\mathbf{MJC}} \quad \text{IF } V_{bx} \leq \mathbf{FC} \cdot \mathbf{VJC}$$

$$C_{jbx} = \mathbf{CJC} \cdot (1 - \mathbf{FC})^{-(1 + \mathbf{MJC})} \cdot (1 - \mathbf{FC} \cdot (1 + \mathbf{MJC}) + \mathbf{MJC} \cdot V_{bx} / \mathbf{VJC}) \quad \text{IF } V_{bx} > \mathbf{FC} \cdot \mathbf{VJC}$$

substrate junction capacitance

$$C_{js} = \text{substrate junction capacitance} = \text{area} \cdot C_{jjs}$$

$$C_{jjs} = \mathbf{CJS} \cdot (1 - V_{js} / \mathbf{VJS})^{-\mathbf{MJS}} \quad (\text{assumes } \mathbf{FC} = 0) \quad \text{IF } V_{js} \leq 0$$

$$C_{jjs} = \mathbf{CJS} \cdot (1 + \mathbf{MJS} \cdot V_{js} / \mathbf{VJS}) \quad \text{IF } V_{js} > 0$$

Bipolar transistor equations for quasi-saturation effect

Quasi-saturation is an operating region where the internal base-collector metallurgical junction is forward biased, while the external base-collector terminal remains reverse biased.

This effect is modeled by extending the intrinsic Gummel-Poon model, adding a new internal node, a controlled current source, I_{epi} , and two controlled capacitances, represented by the charges Q_o and Q_w . These additions are only included if the model parameter **RCO** is specified. See reference [3] of [References](#) for the derivation of this extension.

$$I_{epi} = area \cdot VO \cdot (Vt \cdot (K(Vbc) - K(Vbn) - \ln((1 + K(Vbc)) / (1 + K(Vbn)))) + Vbc - Vbn) / RCO \cdot (|Vbc - Vbn| + VO)$$

$$Q_o = area \cdot QCO \cdot (K(Vbc) - 1 - GAMMA/2)$$

$$Q_w = area \cdot QCO \cdot (K(Vbn) - 1 - GAMMA/2)$$

where

$$K(v) = (1 + GAMMA \cdot e^{(v/Vt)})^{1/2}$$

Bipolar transistor equations for temperature effect

$$IS(T) = IS \cdot e^{(T/Tnom-1) \cdot EG/(N \cdot Vt)} \cdot (T/Tnom)^{XTI/N}$$

where $N = 1$

$$ISE(T) = (ISE/(T/Tnom)^{XTB}) \cdot e^{(T/Tnom-1) \cdot EG/(NE \cdot Vt)} \cdot (T/Tnom)^{XTI/NE}$$

$$ISC(T) = (ISC/(T/Tnom)^{XTB}) \cdot e^{(T/Tnom-1) \cdot EG/(NC \cdot Vt)} \cdot (T/Tnom)^{XTI/NC}$$

$$ISS(T) = (ISS/(T/Tnom)^{XTB}) \cdot e^{(T/Tnom-1) \cdot EG/(NS \cdot Vt)} \cdot (T/Tnom)^{XTI/NS}$$

$$BF(T) = BF \cdot (T/Tnom)^{XTB}$$

$$BR(T) = BR \cdot (T/Tnom)^{XTB}$$

$$RE(T) = RE \cdot (1 + TRE1 \cdot (T - Tnom) + TRE2 \cdot (T - Tnom)^2)$$

$$RB(T) = RB \cdot (1 + TRB1 \cdot (T - Tnom) + TRB2 \cdot (T - Tnom)^2)$$

$$RBM(T) = RBM \cdot (1 + TRM1 \cdot (T - Tnom) + TRM2 \cdot (T - Tnom)^2)$$

$$RC(T) = RC \cdot (1 + TRC1 \cdot (T - Tnom) + TRC2 \cdot (T - Tnom)^2)$$

$$VJE(T) = VJE \cdot T/Tnom - 3 \cdot Vt \cdot \ln(T/Tnom) - Eg(Tnom) \cdot T/Tnom + Eg(T)$$

$$VJC(T) = VJC \cdot T/Tnom - 3 \cdot Vt \cdot \ln(T/Tnom) - Eg(Tnom) \cdot T/Tnom + Eg(T)$$

$$VJS(T) = VJS \cdot T/Tnom - 3 \cdot Vt \cdot \ln(T/Tnom) - Eg(Tnom) \cdot T/Tnom + Eg(T)$$

where $Eg(T) = \text{silicon bandgap energy} = 1.16 - .000702 \cdot T^2/(T+1108)$

$$CJE(T) = CJE \cdot (1 + MJE \cdot (.0004 \cdot (T - Tnom) + (1 - VJE(T)/VJE)))$$

$$CJC(T) = CJC \cdot (1 + MJC \cdot (.0004 \cdot (T - Tnom) + (1 - VJC(T)/VJC)))$$

$$CJS(T) = CJS \cdot (1 + MJS \cdot (.0004 \cdot (T - Tnom) + (1 - VJS(T)/VJS)))$$



The development of the temperature dependencies for the quasi-saturation model parameters **GAMMA**, **RCO**, and **VO** are described in reference [3] on page [213](#). These temperature dependencies are only used when the model parameter **QUASIMOD = 1.0**.

$$GAMMA(T) = GAMMA(Tnom) \cdot (T/Tnom)^3 \cdot \exp(-qVG/k \cdot (1/T - 1/Tnom))$$

$$RCO(T) = RCO(Tnom) \cdot (T/Tnom)^{CN}$$

$$VO(T) = VO(Tnom) \cdot (T/Tnom)^{CN - D}$$

Bipolar transistor equations for noise

Noise is calculated assuming a 1.0-hertz bandwidth, using the following spectral power densities (per unit bandwidth):

parasitic resistances thermal noise	
RC	$I_c^2 = 4 \cdot k \cdot T / (RC/area)$
RB	$I_b^2 = 4 \cdot k \cdot T / RB$
RE	$I_e^2 = 4 \cdot k \cdot T / (RE/area)$
base and collector currents shot and flicker noise	
IB	$I_b^2 = 2 \cdot q \cdot I_b + KF \cdot I_b^{AF} / FREQUENCY$
IC	$I_c^2 = 2 \cdot q \cdot I_c$

References

For a more information on bipolar transistor models, refer to:

[1] Ian Getreu, Modeling the Bipolar Transistor, Tektronix, Inc. part# 062-2841-00.

For a generally detailed discussion of the U.C. Berkeley SPICE models, including the bipolar transistor, refer to:

[2] P. Antognetti and G. Massobrio, Semiconductor Device Modeling with SPICE, McGraw-Hill, 1988.

For a description of the extension for the quasi-saturation effect, refer to:

[3] G. M. Kull, L. W. Nagel, S. W. Lee, P. Lloyd, E. J. Prendergast, and H. K. Dirks, "A Unified Circuit Model for Bipolar Transistors Including Quasi-Saturation Effects," IEEE Transactions on Electron Devices, ED-32, 1103-1113 (1985).



Resistor

General form R<name> <(+) node> <(-) node> [model name] <value>
+ [TC = <TC1> [,<TC2>]]

Examples
RLOAD 15 0 2K
R2 1 2 2.4E4 TC=.015,-.003
RFDBCK 3 33 RMOD 10K

Model form .MODEL <model name> RES [model parameters]



Arguments and options

(+) and (-) nodes
Define the polarity when the resistor has a positive voltage across it.

[model name]
Affects the resistance value; see [Resistor value formulas](#).

Comments

The first node listed (or pin 1 in Capture) is defined as positive. The voltage across the component is therefore defined as the first node voltage minus the second node voltage.

Positive current flows from the (+) node through the resistor to the (-) node. Current flow from the first node through the component to the second node is considered positive.

Temperature coefficients for the resistor can be specified in-line, as in the second example. If the resistor has a model specified, then the coefficients from the model are used for the temperature updates; otherwise, the in-line values are used. In both cases the temperature coefficients have default values of zero. Expressions cannot be used for the in-line coefficients.

Capture parts

For standard R parts, the effective value of the part is set directly by the VALUE property. For the variable resistor, R_VAR, the effective value is the product of the base value (VALUE) and multiplier (SET).

In general, resistors should have positive component values (VALUE property). In all cases, components must not be given a value of zero.

However, there are cases when negative component values are desired. This occurs most often in filter designs that analyze an RLC circuit equivalent to a real circuit. When transforming from the real to the RLC equivalent, it is possible to end up with negative component values.

PSpice A/D allows negative component values for bias point, DC sweep, AC, and noise analyses. In the case of resistors, the noise contribution from negative component values come from the absolute value of the component (components are not allowed to generate negative noise). A transient analysis may fail for a circuit with negative components. Negative components may create instabilities in time that the analysis cannot handle.

Part name	Model type	Property	Property description
R	resistor	VALUE	resistance
		TC	linear and quadratic temperature coefficients
		TOLERANCE	device tolerance (see page 50)
R_VAR	variable resistor	VALUE	base resistance
		SET	multiplier



The RBREAK part must be used if you want a LOT tolerance. In that case, use the Model Editor to edit the RBREAK instance.

Breakout parts

For non-stock passive and semiconductor devices, Capture has a set of breakout parts designed for customizing model parameters for simulation. These are useful for setting up Monte Carlo and worst-case analyses with device and/or lot tolerances specified for individual model parameters.

Basic breakout part names consist of the intrinsic PSpice A/D device letter plus the suffix BREAK. By default, the model name is the same as the part name and references the appropriate device model with all parameters set at their default. For instance, the DBREAK part references the DBREAK model, which is derived from the intrinsic PSpice A/D D model (.MODEL DBREAK D). Another approach is to use the model editor to derive an instance model and customize this. For example, you could add device and/or lot tolerances to model parameters.

For breakout part RBREAK, the effective value is computed from a formula that is a function of the specified VALUE property.

Device type	Part name	Part library file	Property	Description
resistor	RBREAK	BREAKOUT.OLB	VALUE	resistance
			MODEL	RES model name

Resistor model parameters

Model parameters*	Description	Units	Default
R	resistance multiplier		1.0
TC1	linear temperature coefficient	°C ⁻¹	0.0
TC2	quadratic temperature coefficient	°C ⁻²	0.0
TCE	exponential temperature coefficient	%/°C	0.0
T_ABS	absolute temperature	°C	
T_MEASURED	measured temperature	°C	
T_REL_GLOBAL	relative to current temperature	°C	
T_REL_LOCAL	relative to AKO model temperature	°C	

* For information on T_MEASURED, T_ABS, T_REL_GLOBAL, and T_REL_LOCAL, see [.MODEL \(model definition\)](#).

Resistor equations

Resistor value formulas

One If [model name] is included and **TCE** is specified, then the resistance is given by:

$$\langle \text{value} \rangle \cdot R \cdot 1.01^{\text{TCE} \cdot (T - T_{\text{nom}})}$$

where $\langle \text{value} \rangle$ is normally positive (though it can be negative, but not zero). T_{nom} is the nominal temperature (set using TNOM option).

Two If [model name] is included and **TCE** is **not** specified, then the resistance is given by:

$$\langle \text{value} \rangle \cdot R \cdot (1 + \text{TC1} \cdot (T - T_{\text{nom}}) + \text{TC2} \cdot (T - T_{\text{nom}})^2)$$

where $\langle \text{value} \rangle$ is usually positive (though it can be negative, but not zero).

Resistor equation for noise

Noise is calculated assuming a 1.0-hertz bandwidth. The resistor generates thermal noise using the following spectral power density (per unit bandwidth):

$$i^2 =$$

$$4 \cdot k \cdot T / \text{resistance}$$



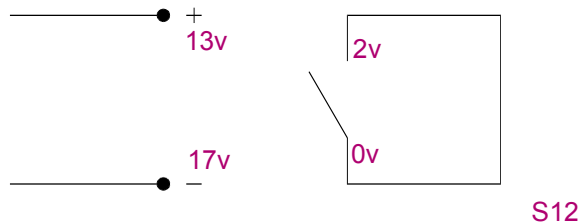
Voltage-controlled switch

General form S<name> <(+) switch node> <(-) switch node>
 + <(+) controlling node> <(-) controlling node>
 + <model name>

Examples S12 13 17 2 0 SMOD
 SESET 5 0 15 3 RELAY

Model form .MODEL <model name> VSWITCH [model parameters]

Description The voltage-controlled switch is a special kind of voltage-controlled resistor. This switch model was designed to minimize numerical problems. However, there are a few things to consider; see [Special considerations](#).



Comments The resistance between the <(+) switch node> and <(-) switch node> depends on the voltage between the <(+) controlling node> and <(-) controlling node>. The resistance varies continuously between the **RON** and **ROFF** model parameters.

A resistance of 1/GMIN is connected between the controlling nodes to keep them from floating. See the [.OPTIONS \(analysis options\)](#) statement for setting GMIN.

Although very little computer time is required to evaluate switches, during transient analysis the simulator must step through the transition region using a fine enough step size to get an accurate waveform. Applying many transitions can produce long run times when evaluating the other devices in the circuit at each time step.

Capture parts

Ideal switches

Summarized below is the available voltage-controlled switch part type in the `breakout.slb` part library. To create a time-controlled switch, connect the switch control pins to a voltage source with the appropriate voltage vs. time values (transient specification).

Part type	Part Name	Model type
Voltage-Controlled Switch	SBREAK	VSWITCH

The VSWITCH model defines the on/off resistance and the on/off control voltage or current thresholds. This switch has a finite on resistance and off resistance, and it changes smoothly between the two as its control voltage (or current) changes. This behavior is important because it allows PSpice A/D to find a continuous set of solutions for the simulation. You can make the on resistance very small in relation to the other circuit impedances, and you can make the off resistance very large in relation to the other circuit impedances.

Voltage-controlled switch model parameters

Model Parameters*	Description	Units	Default
ROFF **	off resistance	ohm	1E+6
RON	on resistance	ohm	1.0
VOFF	control voltage for off state	volt	0.0
VON	control voltage for on state	volt	1.0

* See [.MODEL \(model definition\)](#).

****RON** and **ROFF** must be greater than zero and less than 1/GMIN.

Special considerations

- Using double precision numbers, the simulator can only handle a dynamic range of about 12 decades. Making the ratio of **ROFF** to **RON** greater than 1E+12 is not recommended.
- Also, it not recommend to make the transition region too narrow. Remember that in the transition region the switch has gain. The narrower the region, the higher the gain and the greater the potential for numerical problems. The smallest allowed value for $|VON - VOFF|$ is $RELTOL \cdot (\text{MAX}(|VON|, |VOFF|)) + VNTOL$.

Voltage-controlled switch equations

In the following equations:

V_c	= voltage across control nodes	
L_m	= log-mean of resistor values	$= \ln((R_{ON} \cdot R_{OFF})^{1/2})$
L_r	= log-ratio of resistor values	$= \ln(R_{ON}/R_{OFF})$
V_m	= mean of control voltages	$= (V_{ON} + V_{OFF})/2$
V_d	= difference of control voltages	$= V_{ON} - V_{OFF}$
k	= Boltzmann's constant	
T	= analysis temperature (°K)	

Voltage-controlled switch equations for switch resistance

R_s = switch resistance

For: $V_{ON} > V_{OFF}$

if:

$$V_c \geq V_{ON}$$

then:

$$R_s = R_{ON}$$

if:

$$V_c \leq V_{OFF}$$

then:

$$R_s = R_{OFF}$$

if:

$$V_{OFF} < V_c < V_{ON}$$

then:

$$R_s = \exp(L_m + 3 \cdot L_r \cdot (V_c - V_m) / (2 \cdot V_d) - 2 \cdot L_r \cdot (V_c - V_m)^3 / V_d^3)$$

For: $V_{ON} < V_{OFF}$

if:

$$V_c < V_{ON}$$

then:

$$R_s = R_{ON}$$

if:

$$V_c > V_{OFF}$$

then:

$$R_s = R_{OFF}$$

if:

$$V_{OFF} > V_c > V_{ON}$$

then:

$$R_s = \exp(L_m - 3 \cdot L_r \cdot (V_c - V_m) / (2 \cdot V_d) + 2 \cdot L_r \cdot (V_c - V_m)^3 / V_d^3)$$

Voltage-controlled switch equation for noise

Noise is calculated assuming a 1.0-hertz bandwidth. The voltage-controlled switch generates thermal noise as if it were a resistor having the same resistance that the switch has at the bias point, using the following spectral power density (per unit bandwidth):

$$i^2 = 4 \cdot k \cdot T / R_s$$



Transmission line

Description	The transmission line device is a bidirectional delay line with two ports, A and B. The (+) and (-) nodes define the polarity of a positive voltage at a port.
Comments	<p>During transient (.TRAN (transient analysis)) analysis, the internal time step is limited to be no more than one-half the smallest transmission delay, so short transmission lines cause long run times.</p> <p>The simulation status window displays the properties of the three shortest transmission lines in a circuit if a transient run's time step ceiling is set more frequently by one of the transmission lines. This is helpful when you have a large number of transmission lines. The properties displayed are:</p> <ul style="list-style-type: none">• % loss: percent attenuation at the characteristic delay (i.e., the degree to which the line is lossy)• time step ceiling: induced by the line• % of line delay: time step size at percentage of characteristic delay <p>These transmission line properties are displayed only if they are slowing down the simulation.</p> <p>For a line that uses a model, the electrical length is given after the model name. Example T5 of Examples uses TMOD to specify the line parameters and has an electrical length of one unit.</p> <p>All of the transmission line parameters from either the ideal or lossy parameter set can be expressions. In addition, R and G can be general Laplace expressions. This allows the user to model frequency dependent effects, such as skin effect and dielectric loss. However, this adds to the computation time for transient analysis, since the impulse responses must be obtained by an inverse FFT instead of analytically.</p>

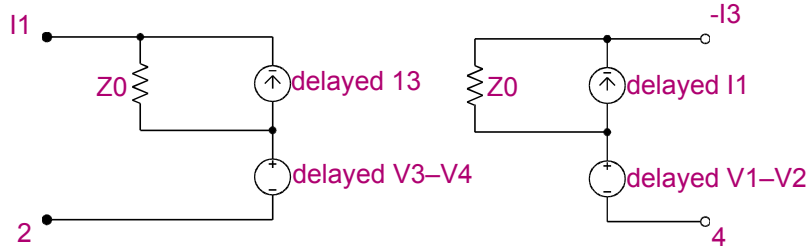
Ideal line

General form

```
T<name> <A port (+) node> <A port (-) node>
+ <B port (+) node> <B port (-) node>
+ [model name]
+ Z0=<value> [TD=<value>] [F=<value> [NL=<value>]]
+ IC= <near voltage> <near current> <far voltage> <far current>
```

Description

As shown below, port A's (+) and (-) nodes are 1 and 2, and port B's (+) and (-) nodes are 3 and 4, respectively.



Comments

For the ideal line, IC sets the initial guess for the voltage or current across the ports. The <near voltage> value is the voltage across A(+) and A(-) and the <far voltage> is the voltage across B(+) and B(-). The <near current> is the current through A(+) and A(-) and the <far current> is the current through B(+) and B(-).

For the ideal case, Z0 is the characteristic impedance. The transmission line's length can be specified either by TD, a delay in seconds, or by F and NL, a frequency and a relative wavelength at F. NL has a default value of 0.25 (F is the quarter-wave frequency). Although TD and F are both shown as optional, one of the two must be specified.



Both Z0 (Z-zero) and ZO (Z-O) are accepted by the simulator.

Lossy line

General form

```
T<name> <A port (+) node> <A port (-) node>
+ <B port (+) node> <B port (-) node>
+ [ <model name> [electrical length value] ]
+ LEN=<value> R=<value> L=<value>
+ G=<value> C=<value>
```

Examples

```
T1 1 2 3 4 ZO=220 TD=115ns
T2 1 2 3 4 ZO=220 F=2.25MEG
T3 1 2 3 4 ZO=220 F=4.5MEG NL=0.5
T4 1 2 3 4 LEN=1 R=.311 L=.378u G=6.27u C=67.3p
T5 1 2 3 4 TMOD 1
```

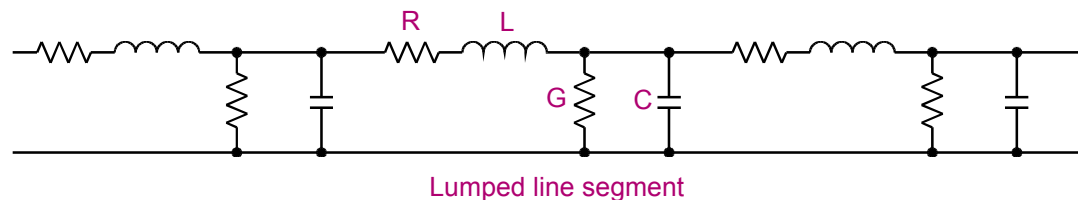
Model form

```
.MODEL <model name> TRN [model parameters]
```

Description

The simulator uses a distributed model to represent the properties of a lossy transmission line. That is, the line resistance, inductance, conductance, and capacitance are all continuously apportioned along the line's length. A common approach to simulating lossy lines is to model these characteristics using discrete passive elements to represent small sections of the line.

This is the lumped model approach, and it involves connecting a set of many small subcircuits in series as shown below:



This method requires that there is enough lumps to adequately represent the distributed character of the line, and this often results in the need for a large netlist and correspondingly long simulation times. The method also produces spurious oscillations near the natural frequencies of the lumped elements.

An additional extension allows systems of coupled transmission lines to be simulated. Transmission line coupling is specified using the K device. This is done in much the same way that coupling is specified for inductors. See the description of [Transmission line coupling](#) for further details.

The distributed model allows freedom from having to determine how many lumps are sufficient, and eliminates the spurious oscillations. It also allows lossy lines to be simulated in a fraction of the time necessary when using the lumped approach, for the same accuracy.

Comments

For a lossy line, LEN is the electrical length. R, L, G, and C are the per unit length values of resistance, inductance, conductance, and capacitance, respectively.

Example T4 specifies a lossy line one meter long. The lossy line model is similar to that of the ideal case, except that the delayed voltage and current values include terms which vary with frequency. These terms are computed in transient analysis using an impulse response convolution method, and the internal time step is limited by the time resolution required to accurately model the frequency characteristics of the line. As with ideal lines, short lossy lines cause long run times.

Capture parts

Ideal and lossy transmission lines

Listed below are the properties that you can set per instance of an ideal (T) or lossy (TLOSSY) transmission line. The parts contained in the TLINE.SLB part library contain a variety of transmission line types. Their part properties vary.

Part name	Model type	Property	Property description
T	transmission line	Z0	characteristic impedance
		TD	transmission delay
		F	frequency for NL
		NL	number of wavelengths or wave number
TLOSSY*	transmission line	LEN	electrical length
		R	per unit length resistance
		L	per unit length inductance
		G	per unit length conductance
		C	per unit length capacitance

*Not available for Basics+ users.

PSpice A/D uses a distributed model to represent the properties of a lossy transmission line. That is, the line resistance, inductance, conductance, and capacitance are all continuously apportioned along the line's length.

A common approach to simulating lossy lines is to model these characteristics using discreet passive elements to represent small sections of the line. This is the lumped model approach, and it involves connecting a set of many small subcircuits in series. This method requires that enough lumps exist to adequately represent the distributed characteristic of the line. This often results in the need for a large netlist and correspondingly long simulation time. The method also produces spurious oscillations near the natural frequencies of the lumped elements.

The distributed model used in PSpice A/D frees you from having to determine how many lumps are sufficient, and eliminates the spurious oscillations. It also allows lossy lines to be simulated with the same accuracy in a fraction of the time required by the lumped approach.

In addition, you can make R and G general Laplace expressions. This allows frequency dependent effects to be modeled, such as skin effect and dielectric loss.

Coupled transmission lines

Listed below are the properties that you can set per instance of a coupled transmission line part. The part library provides parts that can accommodate up to five coupled transmission lines. You can also create new parts that have up to ten coupled lines.

Part name	Model type	Property	Property description
T2COUPLED	coupled transmission line— symmetric	LEN	electrical length
T3COUPLED		R	per unit length resistance
T4COUPLED		L	per unit length inductance
T5COUPLED		G	per unit length conductance
T2COUPLEDX*		coupled transmission line— asymmetric	LEN
T3COUPLEDX	R		per unit length resistance
T4COUPLEDX	L		per unit length inductance
T5COUPLEDX	G		per unit length conductance
	C		per unit length capacitance
	LM		per unit length mutual inductance
	CM		per unit length mutual capacitance
KCOUPLE2	transmission line coupling matrix	T1	name of first coupled line
		T2	name of second coupled line
		LM	per unit length mutual inductance
		CM	per unit length mutual capacitance
KCOUPLE3		T1	name of first coupled line
KCOUPLE4		T2	name of second coupled line
KCOUPLE5		T3	name of third coupled line
		LMij	per unit length mutual inductance between line Ti and line Tj
		CMij	per unit length mutual capacitance between line Ti and line Tj

*T2COUPLEDX is functionally identical to T2COUPLED. However, the T2COUPLEDX implementation uses the expansion of the subcircuit referenced by T2COUPLED.

Simulating coupled lines

Use the K device to simulate coupling between transmission lines. Each of the coupled transmission line parts provided in the standard part library translate to K device and T device declarations in the netlist. PSpice A/D compiles a system of coupled lines by assembling capacitive and inductive coupling matrices from all of the K devices involving transmission lines. Though the maximum order for any one system is ten lines, there is no explicit limitation on the number of separate systems that may appear in one simulation.

The simulation model is accurate for:

- ideal lines
- low-loss lossy lines
- systems of homogeneous, equally spaced high-loss lines

For more information, see [Transmission line coupling](#).

Simulation considerations

When simulating, transmission lines with short delays can create performance bottlenecks by setting the time step ceiling to a very small value.

If one transmission line sets the time step ceiling frequently, PSpice A/D reports the three lines with the shortest time step. The status window displays the percentage attenuation, step ceiling, and step ceiling as percentage of transmission line delay.

If your simulation is running reasonably fast, you can ignore this information and let the simulation proceed. If the simulation is slowed significantly, you may want to cancel the simulation and modify your design. If the line is lossy and shows negligible attenuation, model the line as ideal instead.

Transmission line model parameters

Model parameters *	Description	Units **	Default
for all transmission lines			
IC	Sets the initial condition and all four values must be entered. Four values are expected when IC is specified: the near-end voltage, the near-end current, the far-end voltage, and the far-end current, given in that order.		
for ideal transmission lines			
ZO	characteristic impedance	ohms	none
TD	transmission delay	seconds	none
F	frequency for NL	Hz	none
NL	relative wavelength	none	0.25
for lossy transmission lines			
R	per unit length resistance	ohms/unit length	none
L	per unit length inductance	henries/unit length	none
G	per unit length conductance	mhos/unit length	none
C	per unit length capacitance	farads/unit length	none
LEN***	physical length	agrees with RLGC *	none

* See [MODEL \(model definition\)](#). The order is from the most commonly used to the least commonly used parameter.

** Any length units can be used, but they must be consistent. For instance, if LEN is in feet, then the units of R must be in ohms/foot.

*** A lossy line with $R=G=0$ and $LEN=1$ is equivalent to an ideal line with $ZO = \sqrt{\frac{L}{C}}$ and $TD = LEN \cdot \sqrt{L \cdot C}$.

References

For more information on how the lossy transmission line is implemented, refer to:

[1] Roychowdhury and Pederson, “Efficient Transient Simulation of Lossy Interconnect,”
Design Automation Conference,
1991.



Independent voltage source & stimulus

The Independent Current Source & Stimulus (I) and the Independent Voltage Source & Stimulus (V) devices have the same syntax. See [Independent current source & stimulus](#).

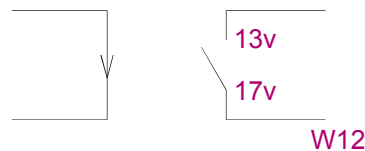
Current-controlled switch

General form W<name> <(+) switch node> <(-) switch node>
+ <controlling V device name> <model name>

Examples W12 13 17 VC WMOD
WRESET 5 0 VRESET RELAY

Model form .MODEL <model name> ISWITCH [model parameters]

Description The current-controlled switch is a special kind of current-controlled resistor.



This model was chosen for a switch to try to minimize numerical problems. However, there are a few things to consider; see [Special considerations](#).

Arguments and options

<controlling V device name>

The current that the resistance between the <(+) switch node> and <(-) switch node> depends on.

RON and ROFF

Must be greater than zero and less than $1/GMIN$. The resistance varies continuously between them.

Comments

A resistance of $1/GMIN$ is connected between the controlling nodes to keep them from floating. See [OPTIONS \(analysis options\)](#) for information on setting GMIN.

Although very little computer time is required to evaluate switches, during transient analysis the simulator must step through the transition region using a fine enough step size to get an accurate waveform. Having many transitions can produce long run times when evaluating the other devices in the circuit for many times.

Capture parts

Ideal switches

Summarized below is the available current-controlled switch part type in the `breakout.s1b` part library. To create a time-controlled switch, connect the switch control pins to a voltage source with the appropriate voltage vs. time values (transient specification).

Device type	Part name	Model type
Current-controlled switch	WBREAK	ISWITCH

The ISWITCH model defines the on/off resistance and the on/off control voltage or current thresholds. This switch has a finite on resistance and off resistance, and it changes smoothly between the two as its control voltage (or current) changes. This behavior is important because it allows PSpice A/D to find a continuous set of solutions for the simulation. You can make the on resistance very small in relation to the other circuit impedances, and you can make the off resistance very large in relation to the other circuit impedances.

As with current-controlled sources (F, FPOLY, H, and HPOLY), WBREAK contains a current-sensing voltage source. When netlisted, WBREAK generates two device declarations to the circuit file set:

- one for the controlled switch
- one for the independent current-sensing voltage source

If you want to create a new part for a current-controlled switch (with, for example, different on/off resistance and current threshold settings in the ISWITCH model), the TEMPLATE property must account for the additional current-sensing voltage source.

Current-controlled switch model parameters

Model parameters *	Description	Units	Default
IOFF	control current for off state	amp	0.0
ION	control current for on state	amp	1E-3
ROFF	off resistance	ohm	1E+6
RON	on resistance	ohm	1.0

* See [MODEL \(model definition\)](#).

Special considerations

Using double precision numbers, the simulator can handle only a dynamic range of about 12 decades. Therefore, it is not recommended making the ratio of **ROFF** to **RON** greater than 1.0E+12.

Similarly, it is also not recommended making the transition region too narrow. Remembering that in the transition region the switch has gain. The narrower the region, the higher the gain and the greater the potential for numerical problems. The smallest allowed value for $|\mathbf{ION} - \mathbf{IOFF}|$ is $\mathbf{RELTOL} \cdot (\mathbf{MAX}(|\mathbf{ION}|, |\mathbf{IOFF}|)) + \mathbf{ABSTOL}$.

Current-controlled switch equations

In the following equations:

- I_c = controlling current
- L_m = log-mean of resistor values = $\ln((\mathbf{RON} \cdot \mathbf{ROFF})^{1/2})$
- L_r = log-ratio of resistor values = $\ln(\mathbf{RON}/\mathbf{ROFF})$
- I_m = mean of control currents = $(\mathbf{ION} + \mathbf{IOFF})/2$
- I_d = difference of control currents = $\mathbf{ION} - \mathbf{IOFF}$
- k = Boltzmann's constant
- T = analysis temperature (°K)

Current-controlled switch equations for switch resistance

For: $I_{ON} > I_{OFF}$

```

if:
   $I_c > I_{ON}$ 
then:
   $R_s = R_{ON}$ 
if:
   $I_c < I_{OFF}$ 
then:
   $R_s = R_{OFF}$ 
if:
   $I_{OFF} < I_c < I_{ON}$ 
then:
   $R_s = \exp(L_m + 3 \cdot L_r \cdot (I_c - I_m) / (2 \cdot I_d) - 2 \cdot L_r \cdot (I_c - I_m)^3 / I_d^3)$ 

```

For: $I_{ON} < I_{OFF}$

```

if:
   $I_c < I_{ON}$ 
then:
   $R_s = R_{ON}$ 
if:
   $I_c > I_{OFF}$ 
then:
   $R_s = R_{OFF}$ 
if:
   $I_{OFF} > I_c > I_{ON}$ 
then:
   $R_s = \exp(L_m - 3 \cdot L_r \cdot (I_c - I_m) / (2 \cdot I_d) + 2 \cdot L_r \cdot (I_c - I_m)^3 / I_d^3)$ 

```

Current-controlled switch equation for noise

Noise is calculated assuming a 1.0-hertz bandwidth. The current-controlled switch generates thermal noise as if it were a resistor using the same resistance as the switch has at the bias point, using the following spectral power density (per unit bandwidth):

$$i^2 = 4 \cdot k \cdot T / R_s$$



Subcircuit instantiation

Purpose This statement causes the referenced subcircuit to be inserted into the circuit using the given nodes to replace the argument nodes in the definition. It allows a block of circuitry to be defined once and then used in several places.

General form X<name> [node]* <subcircuit name> [PARAMS: <<name> = <value>>*]
+ [TEXT: < <name> = <text value> >*]

Examples

```
X12 100 101 200 201 DIFFAMP
XBUFF 13 15 UNITAMP
XFOLLOW IN OUT VCC VEE OUT OPAMP
XFELT 1 2 FILTER PARAMS: CENTER=200kHz
X27 A1 A2 A3 Y PLD PARAMS: MNTYMXDLY=1
+ TEXT: JEDEC_FILE=MYJEDEC.JED
XNANDI 25 28 7 MYPWR MYGND PARAMS: IO_LEVEL=2
```

Arguments and options

<subcircuit name>

The name of the subcircuit's definition. See [.SUBCKT \(subcircuit\)](#).

PARAMS:

Passes values into subcircuits as arguments and into expressions inside the subcircuit.

TEXT:

Passes text values into subcircuits and into text expressions inside the subcircuit.

Comments

There must be the same number of nodes in the call as in the subcircuit's definition.

Subcircuit references can be nested; that is, a call can be given to subcircuit A, whose definition contains a call to subcircuit B. The nesting can be to any level, but must not be circular: for example, if subcircuit A's definition contains a call to subcircuit B, then subcircuit B's definition must not contain a call to subcircuit A.

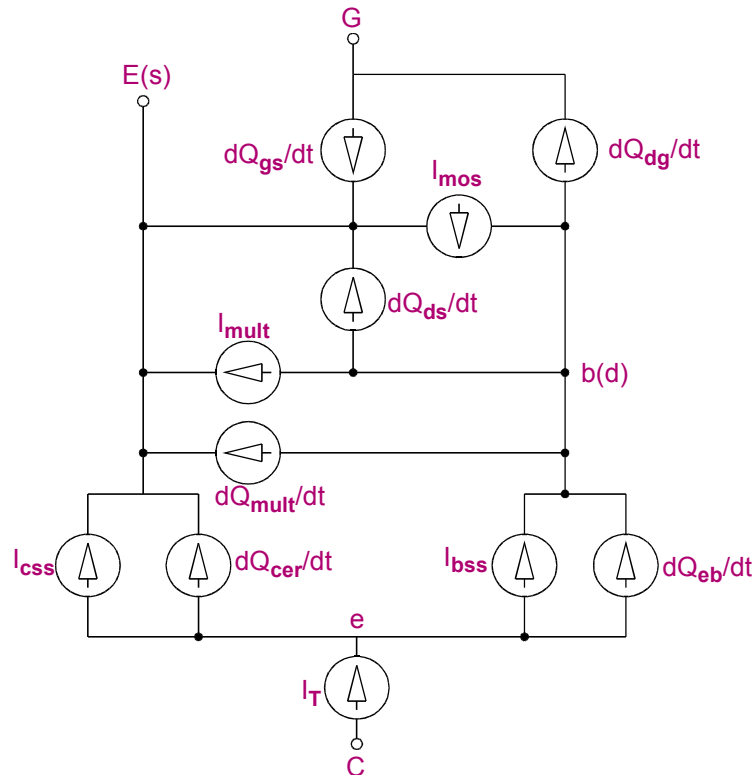
IGBT

General form Z<name> <collector> <gate> <emitter> <model name>
 + [AREA=<value>] [WB=<value>] [AGD=<value>]
 + [KP=<value>] [TAU=<value>]

Examples ZDRIVE 1 4 2 IGBT_A AREA=10.1u WB=91u AGD=5.1u KP=0.381
 Z231 3 2 9 IGBT27

Model form .MODEL <model name> NIGBT [model parameters]

Description The equivalent circuit for the IGBT is shown below. It is modeled as an intrinsic device (not as a subcircuit) and contains five DC current components and six charge (capacitive) components. An overview of the model equations is included below. For a more detailed description of the defining equations see references [1] through [4] of [References](#).



Capture parts

The following table lists the set of IGBT breakout parts designed for customizing model parameters for simulation. These are useful for setting up Monte Carlo and worst-case analyses with device and/or lot tolerances specified for individual model parameters.

Part name	Model type	Property	Property description
ZBREAKN	IGBT	AGD	gate-drain overlap area
		AREA	area of the device
		KP	MOS transconductance
		TAU	ambipolar recombination lifetime
		WB	Metallurgical base width
		MODEL	NIGBT model name

Setting operating temperature

Operating temperature can be set to be different from the global circuit temperature by defining one of the model parameters: T_ABS, T_REL_GLOBAL, or T_REL_LOCAL. Additionally, model parameters can be assigned unique measurement temperatures using the T_MEASURED model parameter. For more information, see [IGBT model parameters](#).

IGBT device parameters

The general form of the IGBT syntax allows for the specification of five device parameters.

These device parameters and their associated default values are defined in previous table. The IGBT model parameters and their associated default values are defined in the table that follows. Model parameters can be extracted from data sheet information by using the Orcad Model Editor. Also, a library of model parameters for commercially available IGBTs is supplied with the software.

The parameters **AGD**, **AREA**, **KP**, **TAU**, and **WB** are specified as both device and model parameters, and they cannot be used in a Monte Carlo analysis.

When specified as device parameters, the assigned values take precedence over those which are specified as model parameters. Also, as device parameters (but not as model parameters), they can be assigned a parameter value and used in conjunction with a .DC or .STEP analysis.

Device parameters	Description	Units	Default
AGD	gate-drain overlap area	m ²	5.0E-6
AREA	area of the device	m ²	1.0E-5
KP	MOS transconductance	A/V ²	0.38
TAU	ambipolar recombination lifetime	sec	7.1E-6
WB	metallurgical base width	m	9.0E-5

IGBT model parameters

Model parameters *	Description	Units	Default
AGD	gate-drain overlap area	m ²	5.0E-6
AREA	area of the device	m ²	1.0E-5
BVF	avalanche uniformity factor	none	1.0
BVN	avalanche multiplication exponent	none	4.0
CGS	gate-source capacitance per unit area	F/cm ²	1.24E-8
COXD	gate-drain oxide capacitance per unit area	F/cm ²	3.5E-8
JSNE	emitter saturation current density	A/cm ²	6.5E-13
KF	triode region factor	none	1.0
KP	MOS transconductance	A/V ²	0.38
MUN	electron mobility	cm ² /(V·s)	1.5E3
MUP	hole mobility	cm ² /(V·s)	4.5E2
NB	base doping	1/cm ³	2.E14
TAU	ambipolar recombination lifetime	sec	7.1E-6
THETA	transverse field factor	1/V	0.02
VT	threshold voltage	V	4.7
VTD	gate-drain overlap depletion threshold	V	1.E-3
WB	metallurgical base width	m	9.0E-5

* See [MODEL \(model definition\)](#) statement.

IGBT equations

In the following equations:

I_{mos}	= MOSFET channel current
I_{T}	= anode current
I_{css}	= steady-state (bipolar) collector current
I_{bss}	= Steady-state base current
I_{mult}	= avalanche multiplication current
R_{b}	= conductivity modulated base resistance
b	= ambipolar mobility ratio
D_{p}	= diffusion coefficient for holes
W	= quasi-neutral base width
Q_{eb}	= instantaneous excess carrier base charge
Q_{b}	= background mobile carrier charge
n_{i}	= intrinsic carrier concentration
M	= avalanche multiplication factor
I_{gen}	= (bipolar)collector-base thermally generated current
ϵ_{si}	= dielectric permittivity of silicon
q	= electron charge
W_{bcj}	= base (bipolar) to collector depletion width

IGBT equations for DC current

MOSFET channel current

$$I_{\text{MOS}} = \begin{cases} 0 & \text{For } V_{\text{gs}} < V_{\text{T}} \\ \frac{\text{KF} \cdot \text{KP} \cdot \left((V_{\text{gs}} - V_{\text{T}}) \cdot V_{\text{ds}} - \frac{\text{KF} \cdot V_{\text{ds}}^2}{2} \right)}{1 + \text{THETA} \cdot (V_{\text{gs}} - V_{\text{T}})} & \text{For } V_{\text{ds}} \leq (V_{\text{gs}} - V_{\text{T}})/\text{KF} \\ \frac{\text{KP} \cdot (V_{\text{gs}} - V_{\text{T}})^2}{2 \cdot (1 + \text{THETA} \cdot (V_{\text{gs}} - V_{\text{T}}))} & \text{For } V_{\text{ds}} > (V_{\text{gs}} - V_{\text{T}})/\text{KF} \end{cases}$$

anode current: current through the resistor R_b

$$I_{\text{T}} = \frac{V_{\text{Ce}}}{R_b}$$

steady-state collector current

$$I_{\text{css}} = \begin{cases} 0 & \text{For } V_{\text{eb}} \leq 0 \\ \left(\frac{1}{1+b} \right) \cdot I_{\text{T}} + \left(\frac{b}{1+b} \right) \cdot \left(\frac{4 \cdot D_p}{W^2} \right) \cdot Q_{\text{eb}} & \text{For } V_{\text{eb}} > 0 \end{cases}$$

steady-state base current

$$I_{\text{bss}} = \begin{cases} 0 & \text{For } V_{\text{eb}} \leq 0 \\ \frac{Q_{\text{eb}}}{\text{TAU}} + \left(\frac{Q_{\text{eb}}^2}{Q_{\text{B}}} \right) \cdot \left(\frac{4 \cdot \text{NB}^2}{n_i^2} \right) \cdot (\text{JSNE} \cdot \text{AREA}) & \text{For } V_{\text{eb}} > 0 \end{cases}$$

avalanche multiplication current

$$I_{\text{mult}} = (M-1) \cdot (I_{\text{mos}} + I_{\text{css}}) + M \cdot I_{\text{gen}}$$

IGBT equations for capacitance

gate source

$$C_{gs} = \mathbf{CGS}$$

$$Q_{gs} = \mathbf{CGS} \cdot V_{gs}$$

drain source

$$C_{ds} = \frac{(\mathbf{AREA} - \mathbf{AGD}) \cdot \epsilon_{si}}{W_{dsj}}$$

$$Q_{ds} = q \cdot (\mathbf{AREA} - \mathbf{AGD}) \cdot \mathbf{NB} \cdot W_{dsj}$$

$$\text{where } W_{dsj} = \sqrt{\frac{2 \cdot \epsilon_{si} \cdot (V_{ds} + 0.6)}{q \cdot \mathbf{NB}}}$$

gate drain

For $V_{ds} < V_{gs} - \mathbf{VTD}$

$$C_{dg} = \mathbf{COXD}$$

$$Q_{dg} = \mathbf{COXD} \cdot V_{dg}$$

For $V_{ds} \geq V_{gs} - \mathbf{VTD}$

$$C_{dg} = \frac{C_{dgj} \cdot \mathbf{COXD}}{C_{dgj} + \mathbf{COXD}}$$

$$Q_{dg} = \frac{q \cdot \mathbf{NB} \cdot \epsilon_{si} \cdot \mathbf{AGD}^2}{\mathbf{COXD}} \left(\frac{\mathbf{COXD} \cdot W_{dgj}}{\epsilon_{si} \cdot \mathbf{AGD}} - \log \left(1 + \frac{\mathbf{COXD} \cdot W_{dgj}}{\epsilon_{si} \cdot \mathbf{AGD}} \right) \right) - \mathbf{COXD} \cdot \mathbf{VTD}$$

$$\text{where } C_{dgj} = \frac{\mathbf{AGD} \cdot \epsilon_{si}}{W_{dgj}} \quad W_{dgj} = \sqrt{\frac{2 \cdot \epsilon_{si} \cdot (V_{dg} + \mathbf{VTD})}{q \cdot \mathbf{NB}}}$$

Ccer

$$C_{cer} = \frac{Q_{eb} \cdot C_{bcj}}{3 \cdot Q_B}$$

$$C_{bcj} = \frac{\epsilon_{si} \cdot \mathbf{AREA}}{W_{bcj}}$$

Cmult

$$C_{mult} = (M - 1) \cdot C_{cer}$$

$$Q_{mult} = (M - 1) \cdot Q_{cer}$$

emitter base

$$C_{eb} = \frac{dQ_{eb}}{dV_{eb}}$$

References

For more information on the IGBT model, refer to:

- [1] G.T. Oziemkiewicz, "Implementation and Development of the NIST IGBT Model in a SPICE-based Commercial Circuit Simulator," Engineer's Thesis, University of Florida, December 1995.
- [2] A.R.Hefner, Jr., "INSTANT - IGBT Network Simulation and Transient Analysis Tool," National Institute of Standards and Technology Special Publication SP 400-88, June 1992.
- [3] A.R.Hefner, Jr., "An Investigation of the Drive Circuit Requirements for the Power Insulated Gate Bipolar Transistor (IGBT)," IEEE Transactions on Power Electronics, Vol. 6, No. 2, April 1991, pp. 208-219.
- [4] A.R.Hefner, Jr., "Modeling Buffer Layer IGBTs for Circuit Simulation," IEEE Transactions on Power Electronics, Vol. 10, No. 2, March 1995, pp. 111-123



Digital devices

[Behavioral primitives](#)

[Multi-bit A/D and D/A converter](#)

[Bidirectional transfer gates](#)

[Programmable logic array](#)

[Delay line](#)

[Pullup and pulldown](#)

[Digital input \(N device\)](#)

[Random access read-write memory](#)

[Digital output \(O Device\)](#)

[Read only memory](#)

[File stimulus](#)

[Standard gates](#)

[Flip-flops and latches](#)

[Stimulus generator](#)

[Input/output model](#)

[Tristate gates](#)



Commands



Analog devices



Device equations



Glossary



Digital device summary

Device class	Type	Description
primitives	U	low-level digital devices (e.g., gates and flip-flops)
stimuli	U	digital stimulus generators file-based stimulus
interface	N	digital input device
	O	digital output device

Primitives are primarily used in subcircuits to model complete devices.

Stimulus devices are used in the circuit to provide input for other digital devices during the simulation.

Interface devices are mainly used inside subcircuits that model analog/digital and digital/analog interfaces.



The digital devices are part of the digital simulation feature of PSpice A/D. For more information on digital simulation and creating models, refer to your PSpice user's guide.

Digital primitive summary

Digital primitives are low-level devices whose main use is modeling off-the-shelf parts, often in combination with each other.

Digital primitives should not be confused with the subcircuits in the libraries that use them. For instance, the 74LS00 subcircuit in `741s.lib` uses a NAND digital primitive to model the 74LS00 part, but it also includes timing and interface information that makes the model adapted for use in a circuit simulation. For more information, refer to your PSpice user's guide.

This section provides a reference for each of the digital primitives supported by the simulator, to help you create digital parts that are not in the model library.

Primitive class	Type	Description
<u>Standard gates</u>	BUF	buffer
	INV	inverter
	AND	AND gate
	NAND	NAND gate
	OR	OR gate
	NOR	NOR gate
	XOR	exclusive OR gate
	NXOR	exclusive NOR gate
	BUFA	buffer array
	INVA	inverter array
	ANDA	AND gate array
	NANDA	NAND gate array
	ORA	OR gate array
	NORA	NOR gate array
	XORA	exclusive OR gate array
	NXORA	exclusive NOR gate array
	AO	AND-OR compound gate
	OA	OR-AND compound gate
	AOI	AND-NOR compound gate
	OAI	OR-NAND compound gate

Primitive class	Type	Description
<u>Tristate gates</u>	BUF3	buffer
	INV3	inverter
	AND3	AND gate
	NAND3	NAND gate
	OR3	OR gate
	NOR3	NOR gate
	XOR3	exclusive OR gate
	NXOR3	exclusive NOR gate
	BUF3A	buffer array
	INV3A	inverter array
	AND3A	AND gate array
	NAND3A	NAND gate array
	OR3A	OR gate array
	NOR3A	NOR gate array
	XOR3A	exclusive OR gate array
NXOR3A	exclusive NOR gate array	
<u>Bidirectional transfer gates</u>	NBTG	N-channel transfer gate
	PBTG	P-channel transfer gate
<u>Flip-flops and latches</u>	JKFF	J-K, negative-edge triggered
	DFF	D-type, positive-edge triggered
	SRFF	S-R gated latch
	DLTCH	D gated latch
<u>Pullup and pulldown</u>	PULLUP	pullup resistor array
	PULLDN	pulldown resistor array
<u>Delay line</u>	DLYLINE	delay line
<u>Programmable logic array</u>	PLAND	AND array
	PLOR	OR array
	PLXOR	exclusive OR array
	PLNAND	NAND array
	PLNOR	NOR array
	PLNXOR	exclusive NOR array
	PLANDC	AND array, true and complement
	PLORC	OR array, true and complement
	PLXORC	exclusive OR array, true and complement
	PLNANDC	NAND array, true and complement
	PLNORC	NOR array, true and complement
	PLNXORC	exclusive NOR array, true and complement

Primitive class	Type	Description
<u>Read only memory</u>	ROM	read-only memory
<u>Random access read-write memory</u>	RAM	random access read-write memory
<u>Multi-bit A/D and D/A converter</u>	ADC	multi-bit A/D converter
	DAC	multi-bit D/A converter
<u>Behavioral primitives</u>	LOGICEXP	logic expression
	PINDLY	pin-to-pin delay
	CONSTRAIN	constraint checking
	T	

The format for specifying a digital primitive follows the general format described in the next section. Primitive-specific formats are also described which includes parameters and nodes that are specific to the primitive type.

Also listed is the specific timing model format for each primitive, along with the appropriate timing model parameters.

For example, the 74393 part provided in the model library is defined as a subcircuit composed of U devices as shown below.

```
subckt 74393  A CLR QA QB QC QD
+           optional: DPWR=$G_DPWR DGND=$G_DGND
+           params: MNTYMXDLY=0 IO_LEVEL=0
UINV inv DPWR DGND
+           CLR CLRBAR
+           DO_GATE IO_STD IO_LEVEL={IO_LEVEL}
U1 jkff(1) DPWR DGND
+           $D_HI CLRBAR A $D_HI $D_HI QA_BUF $D_NC
+           D_393_1 IO_STD MNTYMXDLY={MNTYMXDLY}=
+           IO_LEVEL={IO_LEVEL}
U2 jkff(1) DPWR DGND
+           $D_HI CLRBAR QA_BUF $D_HI $D_HI QB_BUF $D_NC
+           D_393_2 IO_STD MNTYMXDLY={MNTYMXDLY}
U3 jkff(1) DPWR DGND
+           $D_HI CLRBAR QB_BUF $D_HI $D_HI QC_BUF $D_NC
+           D_393_2 IO_STD MNTYMXDLY={MNTYMXDLY}
U4 jkff(1) DPWR DGND
+           $D_HI CLRBAR QC_BUF $D_HI $D_HI QD_BUF $D_NC
+           D_393_3 IO_STD MNTYMXDLY={MNTYMXDLY}
UBUFF bufa(4) DPWR DGND
+           QA_BUF QB_BUF QC_BUF QD_BUF QA QB QC QD
+           D_393_4 IO_STD MNTYMXDLY={MNTYMXDLY} IO_LEVEL={IO_LEVEL}
.ends
```

When adding digital parts to a part library, you can create corresponding digital device models by connecting U devices in a subcircuit definition similar to the one shown above. Orcad recommends that these be saved in a custom model file. The model files can then be configured into the model library or specified for use in a given design.

General digital primitive format

The format of digital primitives is similar to that of analog devices. One difference is that most digital primitives use two models instead of one. One of the models is the timing model, which specifies propagation delays and timing constraints, such as setup and hold times. The other model is the I/O model, which specifies information specific to the device's input/output characteristics. The reason for having two models is that, while timing information is specific to a device, the input/output characteristics apply to a whole device family. Thus, many devices in the same family reference the same I/O model, but each device has its own timing model. If wanted, the timing models can be selected among primitives of the same class.

The general digital primitive format is shown below. Each statement can span one or more lines by using the **+ (line continuation)** character in the first column position. Comments can be added to each line by using the **;(in-line comment)**. For specific information on each primitive type, see the sections that follow.

General form

```
U<name> <primitive type> [(<parameter value>*)]
+ <digital power node> <digital ground node>
+ <node>*
+ <timing model name> <I/O model name>
+ [MNTYMXDLY=<delay select value>]
+ [IO_LEVEL=<interface subckt select value>]
```

Model form

```
.MODEL <model name> UIO ( <model parameters>* )
```

See [Input/output model parameters](#) for a list of the UIO model parameters.

Timing model format

```
.MODEL <model name> <model type> ( <model parameters>* )
```

Examples

```
U1 NAND(2) $G_DPWR $G_DGND 1 2 10 DO_GATE IO_DFT
U2 JKFF(1) $G_DPWR $G_DGND 3 5 200 3 3 10 2 D_293ASTD IO_STD
U3 INV $G_DPWR $G_DGND IN OUT D_INV IO_INV MNTYMXDLY=3 IO_LEVEL=2
```

Arguments and options

<primitive type> [(<parameter value>*)]

The type of digital device, such as NAND, JKFF, or INV. It is followed by zero or more parameters specific to the primitive type, such as number of inputs. The number and meaning of the parameters depends on the primitive type. See the sections that follow for a complete description of each primitive type and its parameters.

<digital power node> <digital ground node>

These nodes are used by the interface subcircuits which connect analog nodes to digital nodes or vice versa. Refer to your PSpice user's guide for more information.

<node>*

One or more input and output nodes. The number of nodes depends on the primitive type and its parameters. Analog devices, digital devices, or both can be connected to a node. If a node has both analog and digital connections, then the simulator automatically inserts an interface subcircuit to translate between logic levels and voltages. Refer to your PSpice user's guide for more information.

<timing model name>

The name of a timing model that describes the device's timing characteristics, such as propagation delay and setup and hold times. Each timing parameter has a minimum, typical, or maximum value which can be selected using the optional **MNTYMXDLY** device parameter (described below) or the **DIGMNTYMX** option (see [.OPTIONS \(analysis options\)](#)). The type of the timing model and its parameters are specific to each primitive type and are discussed in the following sections. (Note that the PULLUP, PULLDN, and PINDLY primitives do not have timing models.)

<I/O model name>

The name of an I/O model, which describes the device's loading and driving characteristics. I/O models also contain the names of up to four DtoA and AtoD interface subcircuits, which are automatically called by the simulator to handle interface nodes. Refer to your PSpice user's guide for a more detailed description of I/O models.

<model type>

Is specific to the primitive type. See the specific primitive for the correct <model type> and associated <model parameters>. General timing model issues are discussed in the next section.

MNTYMXDLY

An optional device parameter that selects either the minimum, typical, or maximum delay values from the device's timing model. A fourth option operates the primitive in Digital Worst-Case (min/max) mode. If not specified, MNTYMXDLY defaults to 0. Valid values are:

- 0 = Current value of .OPTIONS DIGMNTYMX (default=2)
- 1 = Minimum
- 2 = Typical
- 3 = Maximum
- 4 = Worst-case (min/max) timing

IO_LEVEL

An optional device parameter that selects one of the four AtoD or DtoA interface subcircuits from the device's I/O model. The simulator calls the selected subcircuit automatically in the event a node connecting to the primitive also connects to an analog device. If not specified, IO_LEVEL defaults to 0. Valid values are:

- 0 = the current value of .OPTIONS DIGIOLVL (default=1)
- 1 = AtoD1/DtoA1
- 2 = AtoD2/DtoA2
- 3 = AtoD3/DtoA3
- 4 = AtoD4/DtoA4

Refer to your PSpice user's guide for more information.



Timing models

With the exception of the PULLUP, PULLDN, and PINDLY devices, all digital primitives have a timing model that provides timing parameters to the simulator. Within a timing model, there can be one or more types of parameters

- propagation delays (TP)
- setup times (TSU)
- hold times (TH)
- pulse widths (TW)
- switching times (TSW)

Each parameter is further divided into three values: minimum (MN), typical (TY), and maximum (MX). For example, the typical low-to-high propagation delay on a gate is specified as **TPLHTY**. The minimum data-to-clock setup time on a flip-flop is specified as **TSUDCLKMN**.

One or more parameters can be missing from the timing model definition. Data books do not always provide all three (minimum, typical, and maximum) timing specifications. The way the simulator handles missing parameters depends on the type of parameter.

Treatment of unspecified propagation delays



This discussion applies only to propagation delay parameters (TP). All other timing parameters, such as setup/hold times and pulse widths, are handled differently and are described in [Treatment of unspecified timing constraints](#).

Often, only the typical and maximum delays are specified in data books. If, in this case, the simulator were to assume that the unspecified minimum delay just defaults to zero, the logic in certain circuits could break down.

For this reason, the simulator provides two configurable options, **DIGMNTYSCALE** and **DIGTYMXSCALE** (set using the [.OPTIONS \(analysis options\)](#) command), which are used to extrapolate unspecified propagation delays in the timing models.

DIGMNTYSCALE

This option computes the minimum delay when a typical delay is known, using the formula

$$TP_{xxMN} = \text{DIGMNTYSCALE} \cdot TP_{xxTY}$$

DIGMNTYSCALE has a default value of 0.4, or 40% of the typical delay. Its value must be between 0.0 and 1.0.

DIGTYMXSCALE

This option computes the maximum delay from a typical delay, using the formula

$$TP_{xxMX} = \text{DIGTYMXSCALE} \cdot TP_{xxTY}$$

DIGTYMXSCALE has a default value of 1.6. Its value must be greater than 1.0.

When a typical delay is unspecified, its value is derived from the minimum and/or maximum delays, in one of the following ways. If both the minimum and maximum delays are known, the typical delay is the average of these two values. If only the minimum delay is known, the typical delay is derived using the value of the **DIGMNTYSCALE** option. Likewise, if only the maximum delay is specified, the typical delay is derived using **DIGTYMXSCALE**. Obviously, if no values are specified, all three delays have a default value of zero.

Treatment of unspecified timing constraints

The remaining timing constraint parameters are handled differently from the propagation delays. Often, data books state pulse widths, setup times, and hold times as a minimum value. These parameters do not lend themselves to the extrapolation method used for propagation delays.

Instead, when one or more timing constraints are omitted, the simulator uses the following steps to fill in the missing values:

- If the minimum value is omitted, the default value is zero.
- If the maximum value is omitted, it takes on the typical value if one was specified, otherwise it takes on the minimum value.
- If the typical value is omitted, it is computed as the average of the minimum and maximum values.

Gates

Logic gates come in two types: standard and tristate. Standard gates always have their outputs enabled, whereas tristate gates have an enable control. When the enable control is 0, the output's strength is Z and its level is X.

Logic gates also come in two forms: simple gates and gate arrays. Simple gates have one or more inputs and only one output. Gate arrays contain one or more simple gates in one component. Gate arrays allow one to work directly using parts that have several gates in one package.

The usual Boolean equations apply to these gates having the addition of the X level. The rule for X is: if an input is X, and if changing that input between one and zero would cause the output to change, then the output is also X. In other words, X is only propagated to the output when necessary. For example: $1 \text{ AND } X = X$; $0 \text{ AND } X = 0$; $0 \text{ OR } X = X$; $1 \text{ OR } X = 1$.

Standard gates

Device format U<name> <gate type> (<parameter value>*)
 + <digital power node> <digital ground node>
 + <input node>* <output node>*
 + <timing model name> <I/O model name>
 + [MNTYMXDLY=<delay select value>]
 + [IO_LEVEL=<interface subckt select value>]

The standard gate types and their parameters are listed in [Standard Gate Types](#).

Timing model format

<timing model name> UGATE [model parameters]

Examples

```
U5 AND(2) $G_DPWR $G_DGND IN0 IN1 OUT ; two-input AND gate
+ T_AND2 IO_STD

U2 INV $G_DPWR $G_DGND 3 5 ; simple INVerter
+ T_INV IO_STD

U13 NANDA(2,4) $G_DPWR $G_DGND ; four two-input NAND gates
+ INAO INA1 INBO INB1 INCO INC1
+ INDO IND1 OUTA OUTB OUTC OUTD
+ T_NANDA IO_STD

U9 AO(3,3) $G_DPWR $G_DGND ;three-input AND-OR gate
+ INAO INA1 INA2 INBO INB1 INB2 INCO INC1 INC2
+ OUT T_AO IO_STD
+ MNTYMXDLY=1 IO_LEVEL=1

.MODEL T_AND2 UGATE ; AND2 Timing Model
+ TPLHMN=15ns TPLHTY=20ns TPLHMX=25ns
+ TPHLMN=10ns TPHLTY=15ns TPHLMX=20ns
+)
```

Arguments and options

<no. of inputs><no. of gates>

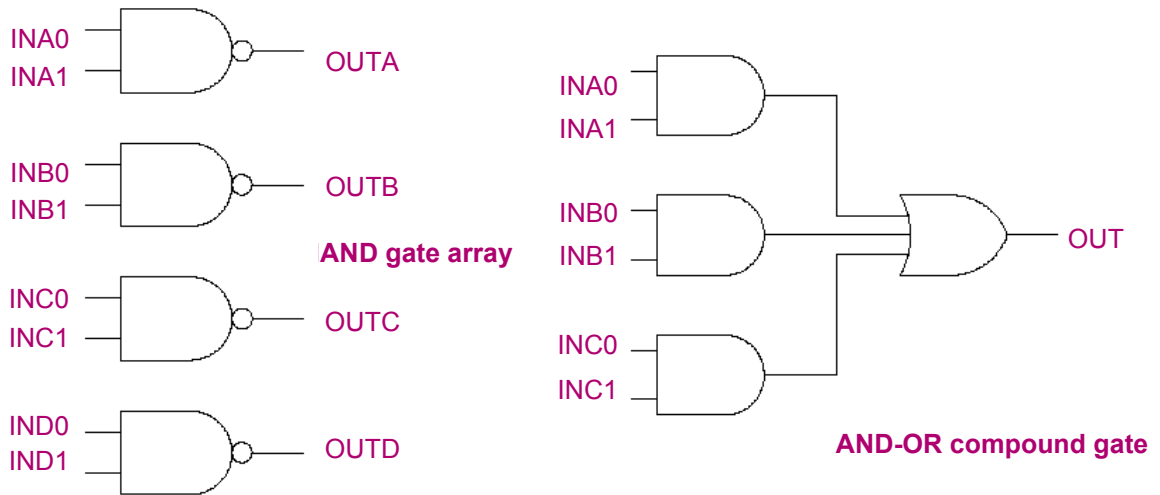
The <no. of inputs> is the number of inputs per gate and <no. of gates> is the number of gates. in* and out* mean one or more nodes, whereas in and out refer to only one node.

In gate arrays the order of the nodes is: all inputs for the first gate, all inputs for the second gate, ..., output for the first gate, output for the second gate, ... In other words, all of the input nodes come first, then all of the output nodes. The total number of input nodes is <no. of inputs>·<no. of gates>; the number of output nodes is <no. of gates>.

A compound gate is a set of <no. of gates> first-level gates which each have <no. of inputs> inputs. Their outputs are connected to a single second-level gate. For example, the AO component has <no. of gates> AND gates whose outputs go into one OR gate. The OR gate's output is the AO device's output. The order of the nodes is: all inputs for the first, first-level gate; all inputs for the second, first-level gate; ...; the output of the second-level gate. In other words, all of the input nodes followed by the one output node.



Standard gates



Type	Parameters	Nodes	Description
AND	(<no. of inputs>)	in*, out	AND gate
ANDA	(<no. of inputs>,<no. of gates>)	in*, out*	AND gate array
AO	(<no. of inputs>,<no. of gates>)	in*, out	AND-OR compound gate
AOI	(<no. of inputs>,<no. of gates>)	in*, out	AND-NOR compound gate
BUF	not applicable	in, out	buffer
BUFA	(<no. of gates>)	in*, out*	buffer array
INV	not applicable	in, out	inverter
INVA	(<no. of gates>)	in*, out*	inverter array
NAND	(<no. of inputs>)	in*, out	NAND gate
NANDA	(<no. of inputs>,<no. of gates>)	in*, out*	NAND gate array
NOR	(<no. of inputs>)	in*, out	NOR gate
NORA	(<no. of inputs>,<no. of gates>)	in*, out*	NOR gate array
NXOR	not applicable	in1, in2, out	exclusive NOR gate
NXORA	(<no. of gates>)	in*, out*	exclusive NOR gate array
OA	(<no. of inputs>,<no. of gates>)	in*, out	OR-AND compound gate
OAI	(<no. of inputs>,<no. of gates>)	in*, out	OR-NAND compound gate
OR	(<no. of inputs>)	in*, out	OR gate
ORA	(<no. of inputs>,<no. of gates>)	in*, out*	OR gate array
XOR	not applicable	in1, in2, out	exclusive OR gate
XORA	(<no. of gates>)	in*, out*	exclusive OR gate array

Standard gate timing model parameters

Model parameters*	Description	Units	Default
TPLHMN	delay: low to high, min	sec	0
TPLHTY	delay: low to high, typ	sec	0
TPLHMX	delay: low to high, max	sec	0
TPHLMN	delay: high to low, min	sec	0
TPHLY	delay: high to low, typ	sec	0
TPHLMX	delay: high to low, max	sec	0

* See [.MODEL \(model definition\)](#)

Tristate gates

Device format U<name> <tristate gate type> [(<parameter value>*)]
 + <digital power node> <digital ground node>
 + <input node>* <enable node> <output node>*
 + <timing model name> <I/O model name>
 + [MNTYMXDLY=<delay select value>]
 + [IO_LEVEL=<interface subckt select value>]

Timing model format

```
.MODEL <timing model name> UTGATE [model parameters]
```

Examples

```
U5 AND3(2) $G_DPWR $G_DGND IN0 IN1 ENABLE OUT two-input AND
+ T_TRIAND2 IO_STD
U2 INV3 $G_DPWR $G_DGND 3 100 5 ; INverter
+ T_TRIINV IO_STD
U13 NAND3A(2,4) $G_DPWR $G_DGND ; four two-input NAND
+ INAO INA1 INBO INB1 INCO INC1 INDO IND1
+ ENABLE OUTA OUTB OUTC OUTD
+ T_TRINAND IO_STD

.MODEL T_TRIAND2 UTGATE ; TRI-AND2 Timing Model
+ TPLHMN=15ns TPLHTY=20ns TPLHMX=25ns ...
+ TPZHMN=10ns TPZHTY=15ns TPZHMX=20ns
+ )
```

Arguments and options

<no. of inputs>
 The number of inputs per gate.

<no. of gates>
 The number of gates in model.

Comments

In gate arrays the order of the nodes is: all inputs for the first gate, all inputs for the second gate, ..., enable, output for the first gate, output for the second gate, ... In other words, all of the input nodes come first, then the enable, then all of the output nodes. The total number of input nodes is <no. of inputs>·<no. of gates>+1; the number of output nodes is <no. of gates>. If a tristate gate is connected to a net that has at least one device input using an **INLD** I/O model, or a device output using an **OUTLD** I/O model where both parameters are greater than zero, then that net is simulated as a charge storage net.



Tristate gate types

Type	Parameters	Nodes [*]	Description
AND3	(<no. of inputs>)	in*, en, out	AND gate
AND3A	(<no. of inputs>,<no. of gates>)	in*, en, out*	AND gate array
BUF3		in, en, out	Buffer
BUF3A	(<no. of gates>)	in*, en, out*	Buffer array
INV3		in, en, out	Inverter
INV3A	(<no. of gates>)	in*, en, out*	Inverter array
NAND3	(<no. of inputs>)	in*, en, out	NAND gate
NAND3A	(<no. of inputs>,<no. of gates>)	in*, en, out*	NAND gate array
NOR3	(<no. of inputs>)	in*, en, out	NOR gate
NOR3A	(<no. of inputs>,<no. of gates>)	in*, en, out*	NOR gate array
NXOR3		in1, in2, en, out	Exclusive NOR gate
NXOR3A	(<no. of gates>)	in*, en, out*	Excl. NOR gate array
OR3	(<no. of inputs>)	in*, en, out	OR gate
OR3A	(<no. of inputs>,<no. of gates>)	in*, en, out*	OR gate array
XOR3		in1, in2, en, out	Exclusive OR gate
XOR3A	(<no. of gates>)	in*, en, out*	Excl. OR gate array

* in* and out*—Mean one or more nodes present.

in and out—Refer to only one node.

en—Refers to the output enable node.

Tristate gate timing model parameters

Model parameters [*]	Description	Units	Default
TPLHMN	Delay: low to high, min	sec	0
TPLHTY	Delay: low to high, typ	sec	0
TPLHMX	Delay: low to high, max	sec	0
TPHLMN	Delay: high to low, min	sec	0
TPHLY	Delay: high to low, typ	sec	0
TPHLMX	Delay: high to low, max	sec	0
TPHZMN	Delay: high to Z, min	sec	0
TPHZTY	Delay: high to Z, typ	sec	0
TPHZMX	Delay: high to Z, max	sec	0
TPLZMN	Delay: low to Z, min	sec	0
TPLZTY	Delay: low to Z, typ	sec	0
TPLZMX	Delay: low to Z, max	sec	0
TPZLMN	Delay: Z to low, min	sec	0
TPZLTY	Delay: Z to low, typ	sec	0
TPZLMX	Delay: Z to low, max	sec	0
TPZHMN	Delay: Z to high, min	sec	0
TPZHLY	Delay: Z to high, typ	sec	0
TPZHMX	Delay: Z to high, max	sec	0

* See .MODEL statement.

Bidirectional transfer gates

The bidirectional transfer gate is a passive device that connects or disconnects two nodes. Bidirectional transfer gates have no parameters.

The state of the gate input controls whether the gate connects the two digital nets. The device type NBTG connects the nodes if the gate is one, and disconnects the nodes if the gate is zero. Device type PBTG connects the nodes if the gate is zero and disconnects the nodes if the gate is one.

The I/O Model **DRVH** and **DRVL** parameters are used as a ceiling on the strength of a one or zero, which is passed through a bidirectional transfer gate. If a bidirectional transfer gate is connected to a net which has at least one device input using an **INLD** I/O model parameter greater than zero, or a device output using an **OUTLD** I/O model parameter greater than zero, then that net is simulated as a charge storage net.

Device format

```
U<name> NBTG
+ <digital power node> <digital ground node>
+ <gate node> <channel node 1> <channel node 2>
+ <timing model name> <I/O model name>
+ [MNTYMXDLY = <delay select value>]
+ [IO_LEVEL = <interface subckt select value>]
```

```
U<name> PBTG
+ <digital power node> <digital ground node>
+ <gate node> <channel node 1> <channel node 2>
+ <timing model name> <I/O model name>
+ [MNTYMXDLY = <delay select value>]
+ [IO_LEVEL = <interface subckt select value>]
```

Examples

```
U4 NBTG $G_DPWR $G_DGND GATE SD1 SD2
+ BTG1 IO_BTG
.MODEL BTG1 UBTG
```

Model form

```
.MODEL <timing model name> UBTG
```

Special behavior when the NBTG or PBTG is connected to an analog device

If a channel node of one of these bidirectional transfer gates is connected to an analog device, then the bidirectional transfer gate is removed during simulation and is replaced with the digital-to-analog subcircuit specified by the bidirectional transfer gate's I/O model. Because the bidirectional transfer gate is passive and bidirectional, this digital-to-analog subcircuit must model the behavior of the whole bidirectional transfer gate, not just convert its digital levels to analog signals. Use this format to define the digital-to-analog subcircuit:

```
.SUBCKT <DtoA subckt name> <gate node> <channel node 1> <channel node 2>
+ <digital power node> <digital ground node>
+ params: DRVH=0 DRVL=0 OutLD=0 InLD=0
```

The contents of the subcircuit must model the behavior of the transfer gate in the analog domain, at least for the channel. If the subcircuit's gate node is connected to analog devices, then PSpice will simulate the gate node as an analog net. If this behavior is not desired (e.g., the gate will be connected to a clock signal, which will slow simulation if it is an analog signal), then the subcircuit should not have any analog devices connected to the gate node.



The gate node has the same behavior if it is connected to an analog net as other digital device pins: the analog-to-digital subcircuit specified by the I/O model and IO_LEVEL is connected between the analog net and the gate pin of the device.

Examples

The first example is a subcircuit that models the switch with an analog gate connection. In some circuit topologies, this may cause large parts of a circuit to convert to analog if a single net is connected to an analog part. To avoid this, use the `_D` version of the digital-to-analog converter by setting `IO_LEVEL` to 3 or 4.

```
.model io_nbtg uio (drvh=200 drv1=200 in1d=10pf out1d=15pf
+   digpower="DIGIFPWR" TstoreMN=10us
+   inR=10MEGdrvZ =5MEG
+AtoD1="AtoD_HC" AtoD2="AtoD_HC"
+AtoD3="AtoD_HC" AtoD4="AtoD_HC"
+DtoA1="DtoA_NBTG" DtoA2="DtoA_NBTG"
+DtoA3="DtoA_NBTG_D" DtoA4="DtoA_NBTG_D"
.model io_pbtg uio (drvh=200 drv1=200 in1d=10pf out1d=15pf
+   digpower="DIGIFPWR" TstoreMN=10us
+   inR=10MEGdrvZ =5MEG
+AtoD1="AtoD_HC" AtoD2="AtoD_HC"
+AtoD3="AtoD_HC" AtoD4="AtoD_HC"
+DtoA1="DtoA_PBTG" DtoA2="DtoA_PBTG"
+DtoA3="DtoA_PBTG_D" DtoA4="DtoA_PBTG_D"
.model io_nbtgs uio (drvh=200 drv1=200
+   digpower="DIGIFPWR" TstoreMN=10us
+   inR=10MEGdrvZ =5MEG
+AtoD1="AtoD_HC" AtoD2="AtoD_HC"
+AtoD3="AtoD_HC" AtoD4="AtoD_HC"
+DtoA1="DtoA_NBTG" DtoA2="DtoA_NBTG"
+DtoA3="DtoA_NBTG_D" DtoA4="DtoA_NBTG_D"
.model io_pbtgs uio (drvh=200 drv1=200
+   digpower="DIGIFPWR" TstoreMN=10us
+   inR=10MEGdrvZ =5MEG
+AtoD1="AtoD_HC" AtoD2="AtoD_HC"
+AtoD3="AtoD_HC" AtoD4="AtoD_HC"
+DtoA1="DtoA_PBTG" DtoA2="DtoA_PBTG"
+DtoA3="DtoA_PBTG_D" DtoA4="DtoA_PBTG_D"
.model btg1 ubtg
```

The next two examples are switch models with digital gate inputs. The digital-to-analog conversion of the gate inputs uses an I/O model (`HC` in this example) that is defined here, not the I/O model of the device driving the gate.

Use these examples in cases where an using analog input would create too many analog switches. Do not use these when the gate is analog, since this would make an analog-to-digital-to-analog conversion, which may cause invalid simulation results. (This is because the analog gate is squared up before being converted to analog again and applied to the “gate” of the switch.)

```

.subckt DtoA_NBTG gate sd1 sd2 pwr gnd
+params: DRVL=0 DRVH=0 INLD=0 OUTLD=0 VTH=.9 VSAT=1.2
S1 sd1 sd2 gate gnd nbtg_smod
C1 sd1 gnd {.1pf+outld}
C2 sd2 gnd {.1pf+outld}
C3 gate gnd {.1pf+inld}
.model nbtg_smod vswitch
+ (ron={{(drv1+drvh)}/2} roff=1meg von={VSAT} voff={VTH})
.ends

.subckt DtoA_PBTG gate sd1 sd2 pwr gnd
+params: DRVL=0 DRVH=0 INLD=0 OUTLD=0 VTH=-0.9 VSAT=-1.2
S1 sd1 sd2 gate pwr pbtg_smod
C1 sd1 pwr {.1pf+outld}
C2 sd2 pwr {.1pf+outld}
C3 gate gnd {.1pf+inld}
.model pbtg_smod vswitch
+ (ron={{(drv1+drvh)}/2} roff=1meg von={VSAT} voff={VTH})
.ends

.subckt DtoA_NBTG_D gate sd1 sd2 pwr gnd
+params: DRVL=0 DRVH=0 INLD=0 OUTLD=0 VTH=.9 VSAT=1.2
X1 gate gate_a pwr gnd DtoA_HC
+ params: DRVL={DRVL} DRVH={DRVH} CAPACITANCE={INLD}
S1 sd1 sd2 gate_a gnd nbtg_smod
C1 sd1 gnd {.1pf+outld}
C2 sd2 gnd {.1pf+outld}
.model nbtg_smod vswitch
+ (ron={{(drv1+drvh)}/2} roff=1meg von={VSAT} voff={VTH})
.ends

.subckt DtoA_PBTG_D gate sd1 sd2 pwr gnd
+params: DRVL=0 DRVH=0 INLD=0 OUTLD=0 VTH=-.9 VSAT=-1.2
X1 gate gate_a pwr gnd DtoA_HC
+ params: DRVL={DRVL} DRVH={DRVH} CAPACITANCE={INLD}
S1 sd1 sd2 gate_a pwr pbtg_smod
C1 sd1 gnd {.1pf+outld}
C2 sd2 gnd {.1pf+outld}
.model pbtg_smod vswitch
+ (ron={{(drv1+drvh)}/2} roff=1meg von={VSAT} voff={VTH})
.ends

```



Flip-flops and latches

The simulator supports both edge-triggered and gated flip-flops. Edge-triggered flip-flops change state when the clock changes: on the falling edge for JKFFs, on the rising edge for DFFs. Gated flip-flops are often referred to as latches. The state of gated flip-flops follows the input as long as the clock (gate) is high. The state is frozen when the clock (gate) falls. Multiple flip-flops can be specified in each device. This allows direct modeling of parts which contain more than one flip-flop in a package.

Initialization

By default, at the beginning of each simulation, all flip-flops and latches are initialized to the unknown state (that is, they output an X). Each device remains in the unknown state until explicitly set or cleared by an active-low pulse on either the preset or clear pins, or until a known state is clocked in.

You can override the X start-up state by setting [.OPTIONS \(analysis options\) DIGINITSTATE](#) to either zero or one. If set to zero, all flip-flops and latches in the circuit are cleared. Likewise, if set to one, all such devices are preset. Any other values produce the default (X) start-up state. The **DIGINITSTATE** option is useful in situations where the initial state of the flip-flop is unimportant to the function of the circuit, such as a toggle flip-flop in a frequency divider.

It is important to note that if the initial state is set to zero or one, the device still outputs an X at the beginning of the simulation if the inputs would normally produce an X on the output. For example, if the initial state is set to one, but the clock is an X at time zero, Q and QBar both go to X when the simulation begins.

X-level handling

The truth-table for each type of flip-flop and latch is given in the sections that follow. However, how the flip-flops treat X levels on the inputs is not depicted in the truth tables because it can depend on the state of the device.

The rule is as follows: if an input is X, and if changing that input between one and zero would cause the output to change, then the output is set to X. In other words, X is only propagated to the output when necessary. For example: if $Q = 0$ and $\text{PresetBar} = X$, then $Q \rightarrow X$; but if $Q = 1$ and $\text{PresetBar} = X$, then $Q \rightarrow 1$.

Timing violations

The flip-flop and latch primitives have model parameters which specify timing constraints such as setup/hold times and minimum pulse-widths. If these model parameter values are greater than zero, the simulator compares measured times on the inputs against the specified value. See [Standard gate timing model parameters](#) and [Tristate gate timing model parameters](#).

The simulator reports flip-flop timing violations as digital simulation warning messages in the .out file. These messages can also be viewed using the Windows version of Probe.

Edge-triggered flip-flops

The simulator supports four types of edge-triggered flip-flops:

- D-type flip-flop (DFF), which is positive-edge triggered
- J-K flip-flop (JKFF), which is negative-edge triggered
- Dual-edge D flip-flop (DFFDE), which is selectively positive and/or negative edge triggered
- Dual-edge J-K flip-flop (JKFFDE), which is selectively positive and/or negative edge triggered

Device format

```

U<name> DFF (<no. of flip-flops>)
+ <digital power node> <digital ground node>
+ <presetbar node> <clearbar node> <clock node>
+ <d node 1> ... <d node n>
+ <q output 1> ... <q output n>
+ <qbar output 1> ... <qbar output n>
+ <timing model name> <I/O model name>
+ [MNTYMXDLY=<delay select value>]
+ [IO_LEVEL=<interface subckt select value>]

U<name> JKFF (<no. of flip-flops>)
+ <digital power node> <digital ground node>
+ <presetbar node> <clearbar node> <clockbar node>
+ <j node 1> ... <j node n>
+ <k node 1> ... <k node n>
+ <q output 1> ... <q output n>
+ <qbar output 1> ... <qbar output n>
+ <timing model name> <I/O model name>
+ [MNTYMXDLY=<delay select value>]
+ [IO_LEVEL=<interface subckt select value>]

U<name> DFFDE(<no. of flip-flops>)
+ <digital power node> <digital ground node>
+ <presetbar node> <clrbar node> <clock node>
+ <positive-edge enable node> <negative-edge enable node>
+ <d node 1> ... <d node n>
+ <q output 1> ... <q output n>
+ <qbar output 1> ... <qbar output n>
+ <timing model name> <I/O model name>
+ [MNTYMXDLY = <delay select value>]
+ [IO_LEVEL = <interface subckt select value>]

U<name> JKFFDE(<no. of flip-flops>)
+ <digital power node> <digital ground node>
+ <presetbar node> <clrbar node> <clock node>
+ <positive-edge enable node> <negative-edge enable node>
+ <j node 1> ... <j node n>
+ <k node 1> ... <k node n>
+ <q output 1> ... <q output n>
+ <qbar output 1> ... <qbar output n>
+ <timing model name> <I/O model name>
+ [MNTYMXDLY = <delay select value>]
+ [IO_LEVEL = <interface subckt select value>]

```

Timing model format

```
.MODEL <timing model name> UEFF [model parameters]
```

Examples

```
U5 JKFF(1) $G_DPWR $G_DGND PREBAR CLRBAR CLKBAR
* one JK flip-flop
+ J K Q QBAR
+ T_JKFF IO_STD
U2 DFF(2) $G_DPWR $G_DGND PREBAR CLRBAR CLK
* two DFF flip-flops
+ D0 D1 Q0 Q1 QBAR0 QBAR1
+ T_DFF IO_STD

.MODEL T_JKFF UEFF(...) ; JK Timing Model
```

Comments

Use <no. of flip-flops> to specify the number of flip-flops in the device. The three nodes, <presetbar node>, <clearbar node> and <clock(bar) node>, are common to all flip-flops in the device.

The <positive-edge enable node> and <negative-edge enable node> are common to all flip-flops in the dual-edge flip-flops.

Edge-triggered flip-flop timing model parameters

Model parameters [*]	Description	Units	Default
THDCLKMN	Hold: j/k/d after clk/clkb edge, min	sec	0
THDCLKTY	Hold: j/k/d after clk/clkb edge, typ	sec	0
THDCLKMX	Hold: j/k/d after clk/clkb edge, max	sec	0
TPCLKQLHMN	Delay: clk/clkb edge to q/qb low to hi, min	sec	0
TPCLKQLHTY	Delay: clk/clkb edge to q/qb low to hi, typ	sec	0
TPCLKQLHMX	Delay: clk/clkb edge to q/qb low to hi, max	sec	0
TPCLKQHLMN	Delay: clk/clkb edge to q/qb hi to low, min	sec	0
TPCLKQHLTY	Delay: clk/clkb edge to q/qb hi to low, typ	sec	0
TPCLKQHLMX	Delay: clk/clkb edge to q/qb hi to low, max	sec	0
TPPCQLHMN	Delay: preb/clrb to q/qb low to hi, min	sec	0
TPPCQLHTY	Delay: preb/clrb to q/qb low to hi, typ	sec	0
TPPCQLHMX	Delay: preb/clrb to q/qb low to hi, max	sec	0
TPPCQHLMN	Delay: preb/clrb to q/qb hi to low, min	sec	0
TPPCQHLTY	Delay: preb/clrb to q/qb hi to low, typ	sec	0
TPPCQHLMX	Delay: preb/clrb to q/qb hi to low, max	sec	0
TSUDCLKMN	Setup: j/k/d to clk/clkb edge, min	sec	0
TSUDCLKTY	Setup: j/k/d to clk/clkb edge, typ	sec	0
TSUDCLKMX	Setup: j/k/d to clk/clkb edge, max	sec	0
TSUPCCLKHMN	Setup: preb/clrb hi to clk/clkb edge, min	sec	0
TSUPCCLKHTY	Setup: preb/clrb hi to clk/clkb edge, typ	sec	0
TSUPCCLKHMX	Setup: preb/clrb hi to clk/clkb edge, max	sec	0
TWPCLMN	Min preb/clrb width low, min	sec	0
TWPCLTY	Min preb/clrb width low, typ	sec	0
TWPCLMX	Min preb/clrb width low, max	sec	0
TWCLKLMN	Min clk/clkb width low, min	sec	0
TWCLKLTY	Min clk/clkb width low, typ	sec	0
TWCLKLMX	Min clk/clkb width low, max	sec	0
TWCLKHMN	Min clk/clkb width hi, min	sec	0
TWCLKHTY	Min clk/clkb width hi, typ	sec	0
TWCLKHMX	Min clk/clkb width hi, max	sec	0
TSUCECLKMN	Setup: clock enable to clk edge, min	sec	0
TSUCECLKTY	Setup: clock enable to clk edge, typ	sec	0
TSUCECLKMX	Setup: clock enable to clk edge, max	sec	0

Model parameters *	Description	Units	Default
THCECLKMN	Hold: clock enable after clk edge, min	sec	0
THCECLKTY	Hold: clock enable after clk edge, typ	sec	0
THCECLKMX	Hold: clock enable after clk edge, max	sec	0

* See [MODEL \(model definition\)](#).

Edge-triggered flip-flop truth tables DFF and JKFF

D-type flip-flop (DFF) truth table

Inputs				Outputs	
D	CLK	PRE	CLR	Q	\bar{Q}
X	X	1	0	0	1
X	X	0	1	1	0
X	X	0	0	1*	1*
X	0	1	1	Q'	\bar{Q}'
X	1	1	1	Q'	\bar{Q}'
0	↑	1	1	0	1
1	↑	1	1	1	0

* Shows an unstable condition.

J-K flip-flop (JKFF) truth table

Inputs					Outputs	
J	K	CLK	PRE	CLR	Q	\bar{Q}
X	X	X	1	0	0	1
X	X	X	0	1	1	0
X	X	X	0	0	1*	1*
X	X	0	1	1	Q'	\bar{Q}'
X	X	1	1	1	Q'	\bar{Q}'
0	0	∅	1	1	Q'	\bar{Q}'
0	1	∅	1	1	0	1
1	0	↓	1	1	1	0
1	1	↓	1	1	\bar{Q}'	Q'

* Shows an unstable condition.

Edge-triggered flip-flop truth tables DFFDE and JKFFDE

Dual-edge D flip-flop (DFFDE) truth table

Inputs						Outputs	
D	CLK	PENA	NENA	PRE	CLR	Q	Q
X	X	X	X	1	0	0	1
X	X	X	X	0	1	1	0
X	X	X	X	0	0	1*	1*
X	0	X	X	1	1	Q'	Q'
X	1	X	X	1	1	Q'	Q'
X	X	0	0	1	1	Q'	Q'
0	↑	1	X	1	1	0	1
1	↑	1	X	1	1	1	0
0	↓	X	1	1	1	0	1
1	↓	X	1	1	1	1	0

* Shows an unstable condition.

Dual-edge J-K flip-flop (JKFFDE) truth table

Inputs							Outputs	
J	K	CLK	PENA	NENA	PRE	CLR	Q	Q
X	X	X	X	X	1	0	0	1
X	X	X	X	X	0	1	1	0
X	X	X	X	X	0	0	1*	1*
X	X	0	X	X	1	1	Q'	Q'
X	X	1	X	X	1	1	Q'	Q'
X	X	X	0	0	1	1	Q'	Q'
0	0	↑	1	X	1	1	Q'	Q'
0	1	↑	1	X	1	1	0	1
1	0	↑	1	X	1	1	1	0
1	1	↑	1	X	1	1	\overline{Q}	Q'
0	0	↓	X	1	1	1	Q'	\overline{Q}
0	1	↓	X	1	1	1	0	1
1	0	↓	X	1	1	1	1	0
1	1	↓	X	1	1	1	\overline{Q}	Q'

* Shows an unstable condition.



Gated latch

The simulator supports two types of gated latches: the S-R flip-flop (SRFF) and the D-type latch (DLTCH).

Device format

```
U<name> SRFF (<no. of flip-flops>)
+ <digital power node> <digital ground node>
+ <presetbar node> <clearbar node> <gate node>
+ <s node 1> ... <s node n>
+ <r node 1> ... <r node n>
+ <q output 1> ... <q output n>
+ <qbar output 1> ... <qbar output n>
+ <timing model name> <I/O model name>
+ [MNTYMXDLY=<delay select value>]
+ [IO_LEVEL=<interface subckt select value>]

U<name> DLTCH (<no. of latches>)
+ <digital power node> <digital ground node>
+ <presetbar node> <clearbar node> <gate node>
+ <d node 1> ... <d node n>
+ <q output 1> ... <q output n>
+ <qbar output 1> ... <qbar output n>
+ <timing model name> <I/O model name>
+ [MNTYMXDLY=<delay select value>]
+ [IO_LEVEL=<interface subckt select value>]
```

Model form

```
.MODEL <timing model name> UGFF [model parameters]
```

Examples

```
U5 SRFF(4)$G_DPWR $G_DGND PRESET CLEAR GATE
* four S-R latches
+ S0 S1 S2 S3 R0 R1 R2 R3
+ Q0 Q1 Q2 Q3 QB0 QB1 QB2 QB3
+ T_SRFF IO_STD
U2 DLTCH(8) $G_DPWR $G_DGND PRESET CLEAR GATE
* eight D latches
+ D0 D1 D2 D3 D4 D5 D6 D7
+ Q0 Q1 Q2 Q3 Q4 Q5 Q6 Q7
+ QB0 QB1 QB2 QB3 QB4 QB5 QB6 QB7
+ T_DLTCH IO_STD
```

```
.MODEL T_SRFF UGFF(...) ; SRFF Timing Model
```

Comments

Use <no. of flip-flops> to specify the number of flip-flops in the device. The three nodes, <presetbar node>, <clearbar node>, and <gate node>, are common to all of the flip-flops in the device.

Gated latch timing model parameters

Model parameters *	Description	Units	Default
THDGMN	Hold: s/r/d after gate edge, min	sec	0
THDGTY	Hold: s/r/d after gate edge, typ	sec	0
THDGMX	Hold: s/r/d after gate edge, max	sec	0
TPDQLHMN	Delay: s/r/d to q/qb low to hi, min	sec	0
TPDQLHTY	Delay: s/r/d to q/qb low to hi, typ	sec	0
TPDQLHMX	Delay: s/r/d to q/qb low to hi, max	sec	0

Model parameters *	Description	Units	Default
TPDQHLMN	Delay: s/r/d to q/qb hi to low, min	sec	0
TPDQHLTY	Delay: s/r/d to q/qb hi to low, typ	sec	0
TPDQHLMX	Delay: s/r/d to q/qb hi to low, max	sec	0
TPGQLHMN	Delay: gate to q/qb low to hi, min	sec	0
TPGQLHTY	Delay: gate to q/qb low to hi, typ	sec	0
TPGQLHMX	Delay: gate to q/qb low to hi, max	sec	0
TPGQHLMN	Delay: gate to q/qb hi to low, min	sec	0
TPGQHLTY	Delay: gate to q/qb hi to low, typ	sec	0
TPGQHLMX	Delay: gate to q/qb hi to low, max	sec	0
TPPCQLHMN	Delay: preb/clrb to q/qb low to hi, min	sec	0
TPPCQLHTY	Delay: preb/clrb to q/qb low to hi, typ	sec	0
TPPCQLHMX	Delay: preb/clrb to q/qb low to hi, max	sec	0
TPPCQHLMN	Delay: preb/clrb to q/qb hi to low, min	sec	0
TPPCQHLTY	Delay: preb/clrb to q/qb hi to low, typ	sec	0
TPPCQHLMX	Delay: preb/clrb to q/qb hi to low, max	sec	0
TSUDGMN	Setup: s/r/d to gate edge, min	sec	0
TSUDGTY	Setup: s/r/d to gate edge, typ	sec	0
TSUDGMX	Setup: s/r/d to gate edge, max	sec	0
TSUPCGHMN	Setup: preb/clrb hi to gate edge, min	sec	0
TSUPCGHTY	Setup: preb/clrb hi to gate edge, typ	sec	0
TSUPCGHMX	Setup: preb/clrb hi to gate edge, max	sec	0
TWPCLMN	Min preb/clrb width low, min	sec	0
TWPCLTY	Min preb/clrb width low, typ	sec	0
TWPCLMX	Min preb/clrb width low, max	sec	0
TWGHMN	Min gate width hi, min	sec	0
TWGHTY	Min gate width hi, typ	sec	0
TWGHMX	Min gate width hi, max	sec	0

* See [MODEL \(model definition\)](#).



Gated latch truth tables

The function tables for the SRFF and DLTCH primitives are given below.

S-R flip-flop (SRFF) truth table

Inputs					Outputs	
S	R	GATE	PRE	CLR	Q	\bar{Q}
X	X	X	1	0	0	1
X	X	X	0	1	1	0
X	X	X	0	0	1*	1*
X	X	0	1	1	Q'	\bar{Q}'
0	0	1	1	1	Q'	\bar{Q}'
0	1	1	1	1	0	1
1	0	1	1	1	1	0
1	1	1	1	1	1*	1*

* Shows an unstable condition.

D-type latch (DLTCH) truth table

Inputs				Outputs	
D	GATE	PRE	CLR	Q	\bar{Q}
X	X	1	0	0	1
X	X	0	1	1	0
X	X	0	0	1*	1*
X	0	1	1	Q'	\bar{Q}'
0	1	1	1	0	1
1	1	1	1	1	0

* Shows an unstable condition.

Pullup and pulldown

The PULLUP and PULLDN primitives function as digital pullup/pulldown resistors. They have no inputs (other than the digital power and ground nodes). Their output is a one level (pullup) or a zero level (pulldown), having a strength determined by the I/O model.

Device format U<name> <resistor type> (<number of resistors>)
 + <digital power node> <digital ground node>
 + <output node>*
 + <I/O model name>
 + [IO_LEVEL=<interface subckt select value>]

Examples U5 PULLUP(4) \$G_DPWR \$G_DGND ; four pullup resistors
 + BUS0 BUS1 BUS2 BUS3 R1K
 U2 PULLDN(1) \$G_DPWR \$G_DGND ; one pulldown resistor
 + 15 R500

Arguments and options

<resistor type>

One of the following:

PULLUP pullup resistor array

PULLDN pulldown resistor array

<number of resistors>

Specifies the number of resistors in the array.

Comments

Notice that PULLUP and PULLDN do not have Timing Models, just I/O models.

Delay line

The output of a delay line follows the input after the delay specified in the Timing Model. Any width pulse can propagate through a delay line. This behavior is different from gates, which don't propagate a pulse when its width is less than the propagation delay.

The delay line device has no parameters, and only one input and one output node.

Device format

```
U<name> DLYLINE
+ <digital power node> <digital ground node>
+ <input node> <output node>
+ <timing model name> <I/O model name>
+ [MNTYMXDLY=<delay select value>]
+ [IO_LEVEL=<interface subckt select value>]
```

Examples

```
U5 DLYLINE $G_DPWR $G_DGND IN OUT; delay line
+ DLY20NS IO_STD
.MODEL DLY20NS UDLY(          ; delay line Timing Model
+ DLYMN=20ns DLYTY=20ns DLYMX=20ns
+ )
```

Timing model format

```
.MODEL <timing model name> UDLY [model parameters]
```

Delay line timing model parameters

Model parameters*	Description	Units	Default
DLYMN	Delay: min	sec	0
DLYTY	Delay: typical	sec	0
DLYMX	Delay: max	sec	0

* See [.MODEL \(model definition\)](#).

Programmable logic array

The programmable logic array is made up of a variable number of inputs, which form columns, and a variable number of outputs, which form rows. Each output (row) is driven by one logic gate. The “program” for the device determines which of the inputs (columns) are connected to each gate. All of the gates in the array are the same type (e.g., AND, OR, NAND, and NOR). Commercially available ICs (PALs, GALs, PEELs, and such) can have buffers, registers, more than one array of gates, and so on, all on the same part. These would normally be combined in a library subcircuit to make the part easier to use.

There are two ways to provide the program data for Programmable Logic Arrays. The normal way is to give the name of a JEDEC format file which contains the program data. This file would normally be produced by a PLD design package, or by using MicroSim PLSyn, which translates logic design information into a program for a specific programmable logic part. The other way to program the logic array is by including the program data, in order, on the device line (using the DATA=... construct).

If one of the PAL or GAL devices are being used in the model library, you will not need to use the Programmable Logic Array primitive directly, nor any of the model information below, since the library contains all of the appropriate modeling information. Using a PLD from the library is just like using any other logic device from the library, except that the simulator needs to know the name of the JEDEC file which contains the program for that part. A TEXT parameter name JEDEC_FILE is used to specify the file name, as shown in the following example:

```
X1 IN1 IN2 IN3 IN4 IN5 IN6 IN7 IN8 IN9 IN10 IN11 IN12
+ IN13 IN14
+ OUT1 OUT2 OUT3 OUT4
+ PAL14H4
+ TEXT: JEDEC_FILE = "myprog.jed"
```

This example creates a 14H4 PAL which is programmed by the JEDEC file myprog.jed.

Device format

```
U<name> <pld type> (<no. of inputs>, <no. of outputs>)
+ <digital power node> <digital ground node>
+ <input_node>* <output_node>*
+ <timing model name> <I/O model name>
+ [FILE=<(file name) text value>]
+ [DATA=<radix flag>${<program data>}$]
+ [MNTYMXDLY=<delay select value>]
+ [IO_LEVEL=<interface subckt select value>]
```

Timing model format

```
.MODEL <timing model name> UPLD [model parameters]
```

Examples

```

UDECODER PLANDC(3, 8)           ; 3 inputs, 8 outputs
+ $G_DPWR $G_DGND             ; digital power supply and ground
+ IN1 IN2 IN3                 ; the inputs
+ OUT0 OUT1 OUT2 OUT3 OUT4 OUT5 OUT6 OUT7 ; the outputs
+ PLD_MDL                     ; the timing model name
+ IO_STD                      ; the I/O model name
+ DATA=B$                   ; the programming data
* IN1 IN2 IN3
* TF TF TF
+ 01 01 01                   ; OUT0
+ 01 01 10                   ; OUT1
+ 01 10 01                   ; OUT2
+ 01 10 10                   ; OUT3
+ 10 01 01                   ; OUT4
+ 10 01 10                   ; OUT5
+ 10 10 01                   ; OUT6
+ 10 10 10 $                 ; OUT7

.MODEL PLD_MDL UPLD(...) ; PLD timing model definition

```

Arguments and options

<pld type>

One of the following:

PLD type	Description
PLAND	AND array
PLANDC	AND array using true and complement columns for each input
PLNAND	NAND array
PLNANDC	NAND array using true and complement columns for each input
PLNOR	NOR array
PLNORC	NOR array using true and complement columns for each input
PLNXOR	Exclusive NOR array
PLNXORC	Exclusive NOR array using true and complement columns for each input
PLOR	OR array
PLORC	OR array using true and complement columns for each input
PLXOR	Exclusive OR array
PLXORC	Exclusive OR array using true and complement columns for each input

<file name text value>

The name of a JEDEC format file which specifies the programming data for the array. The file name can be specified as a text constant (enclosed in double quotes “”), or as a text expression (enclosed in vertical bars “|”). If a FILE is specified, any programming data specified by a DATA section is ignored. The mapping of addresses in the JEDEC file to locations in the array is controlled by model parameters specified in the timing model.

<radix flag>

One of the following:

- B binary data follows
- O octal data follows (most significant bit has the lowest address)
- X hexadecimal data follows (most significant bit has lowest address)

<program data>

A string of data values used to program the logic array. The values start at address zero, which programs the array for the connection of the first input pin to the gate which drives the first output. A 0 (zero) specifies that the input is not connected to the gate, and a 1 specifies that the input is connected to the gate. (Initially, all inputs are not connected to any gates.) The next value programs the array for the connection of the complement of the first input to the gate which drives the first output (if this is a programmable gate having true and complement inputs) or, the second input connection to the gate which drives the first output. Each additional 1 or 0 programs the connection of the next input or its complement to the gate which drives the first output, until the connection of all inputs (and their complements) to that gate have been programmed. Data values after that, program the connection of inputs to the gate driving the second output, and so on.

The data values must be enclosed in dollar signs (\$), but can be separated by spaces or continuation lines.

Comments

The example defines a 3-to-8 line decoder. The inputs are IN1 (MSB), IN2, and IN3 (LSB). If the inputs are all low, OUT0 is true. If IN1 and IN2 are low and IN3 is high, then OUT1 is true, and so on. The programming data has been typed in as an array, so that it is easier to read. The comments above the columns identify the true and false (complement) inputs, and the comments at the end of the line identify the output pin which is controlled by that gate. (Note, the simulator does not process any of these comments—they just help make the programming data readable.)

Programmable logic array timing model parameters

Model parameters *	Description	Units	Default
COMPOFFSET	JEDEC file mapping: address of complement of first input and first gate program		1
INSCALE	JEDEC file mapping: amount the JEDEC file address changes for each new input pin	std true/cmp	1 2
OFFSET	JEDEC file mapping: address of first input and first gate program		0
OUTSCALE	JEDEC file mapping: amount the JEDEC file address changes for each new output pin (gate)	std true/cmp	<no. of inputs> 2*<no. of inputs>
TPLHMN	delay: in to out, hi to low, min	sec	0
TPLHTY	delay: in to out, hi to low, typ	sec	0
TPLHMX	delay: in to out, hi to low, max	sec	0
TPLHMN	delay: in to out, low to hi, min	sec	0
TPLHTY	delay: in to out, low to hi, typ	sec	0
TPLHMX	delay: in to out, low to hi, max	sec	0

* See [.MODEL \(model definition\)](#).



Read only memory

There are two ways to provide the program data for ROMs. The normal way is to provide the name of an Intel Hex Format file. This file is read before the simulation starts, and the ROM is programmed to contain the data in the file. The other way to program the ROM is to include the program data on the device line (with the DATA=... construct).

The example below defines a 4-bit by 4-bit to 8-bit multiplier ROM.

Device format

```
U<name> ROM( <no. of address pins>, <no. of output pins> )
+ <digital power node> <digital ground node>
+ <enable_node> <address node msb> ... <address node lsb>
+ <output node msb> ... <output node lsb>
+ <timing model name> <I/O model name>
+ [FILE=<file name text value>]
+ [DATA=<radix flag>${<program data>}]
+ [MNTYMXDLY=<delay select value>]
+ [IO_LEVEL=<interface subckt select value>]
```

Timing model format

```
.MODEL <timing model name> UROM (<model parameters>*)
```

Examples

```

UMULTIPLY ROM(8, 8) ; 8 address bits, 8 outputs
+ $G_DPWR $G_DGND;digital power supply and ground
+ ENABLE ; enable node
+ AIN3 AIN2 AIN1 AINO ; the first 4 bits of
address
+ BIN3 BIN2 BIN1 BINO ; the second 4 bits of
address
+ OUT7 OUT6 OUT5 OUT4 OUT3 OUT2 OUT1 OUT0 ; the outputs
+ ROM_MDL ; the Timing Model name
+ IO_STD ; the I/O MODEL name
+ DATA=X$ ; the programming data
* B input value:

```

*	0	1	2	3	4	5	6	7	8	9	AB
C	D	E	F								
+	00	00	00	00	00	00	00	00	00	00	00
00	00	00	00	00	; A = 0						
+	00	01	02	03	04	05	06	07	08	09	0A
0B	0C	0D	0E	0F	; A = 1						
+	00	02	04	06	08	0A	0C	0E	10	12	14
16	18	1A	1C	1E	; A = 2						
+	00	03	06	09	0C	0F	12	15	18	1B	1E
21	24	27	2A	2D	; A = 3						
+	00	04	08	0C	10	14	18	1C	20	24	28
2C	30	34	38	3C	; A = 4						
+	00	05	0A	0F	14	19	1E	23	28	2D	32
37	3C	41	46	4B	; A = 5						
+	00	06	0C	12	18	1E	24	2A	30	36	3C
42	48	4E	54	5A	; A = 6						
+	00	07	0E	15	1C	23	2A	31	38	3F	46
4D	54	5B	62	69	; A = 7						
+	00	08	10	18	20	28	30	38	40	48	50
58	60	68	70	78	; A = 8						
+	00	08	12	1B	24	2D	36	3F	48	51	5A
63	6C	75	7E	87	; A = 9						
+	00	0A	14	1E	28	32	3C	46	50	5A	64
6E	78	82	8C	96	; A = A						
+	00	0B	16	21	2C	37	42	4D	58	63	6E
79	84	8F	9A	A5	; A = B						
+	00	0C	18	24	30	3C	48	54	60	6C	78
84	90	9C	A8	B4	; A = C						
+	00	0D	1A	27	34	41	4E	5B	68	75	82
8F	9C	A9	B6	C3	; A = D						
+	00	0E	1C	2A	38	46	54	62	70	7E	8C
9A	A8	B6	C4	D2	; A = E						
+	00	0F	1E	2D	3C	4B	5A	69	78	87	96
A5	B4	C3	D1	E1\$; A = F						

.MODEL ROM_MDL UROM(...); ROM Timing Model definition

Arguments and options

<file name text value>

The name of an Intel Hex format file which specifies the programming data for the ROM. The file name can be specified as a text constant (enclosed in double quotes “ ”), or as a text expression (enclosed in vertical bars “|”). If a FILE is specified, any programming data specified by a DATA section is ignored.

<radix flag>

One of the following:

- B binary data follows
- O octal data follows (most significant bit has lowest address)
- X hexadecimal data follows (most significant bit has lowest address)

<program data>

The program data is a string of data values used to program the ROM. The values start at address zero, first output bit. The next bit specifies the next output bit, and so on until all of the output bits for that address have been specified. Then the output values for the next address are given, and so on.

The data values must be enclosed in dollar signs (\$ \$), but can be separated by spaces or continuation lines.

Read only memory timing model parameters

Model parameters *	Description	Units	Default
TPADHMN	delay: address to data, low to hi, min	sec	0
TPADHTY	delay: address to data, low to hi-Z, typ	sec	0
TPADHMX	delay: address to data, low to hi, max	sec	0
TPADLMN	delay: address to data, hi to low, min	sec	0
TPADLTY	delay: address to data, hi to low, typ	sec	0
TPADLMX	delay: address to data, hi to low, max	sec	0
TPEDHMN	delay: enable to data, hi-Z to hi, min	sec	0
TPEDHTY	delay: enable to data, hi-Z to hi, typ	sec	0
TPEDHMX	delay: enable to data, hi-Z to hi, max	sec	0
TPEDLMN	Delay: enable to data, hi-Z to low, min	sec	0
TPEDLTY	delay: enable to data, hi-Z to low, typ	sec	0
TPEDLMX	delay: enable to data, hi-Z to low, max	sec	0
TPEDHZMN	delay: enable to data, hi to hi-Z, min	sec	0
TPEDHZTY	delay: enable to data, hi to hi-Z, typ	sec	0
TPEDHZMX	delay: enable to data, hi to hi-Z, max	sec	0
TPEDLZMN	delay: enable to data, low to hi-Z, min	sec	0
TPEDLZTY	delay: enable to data, low to hi-Z, typ	sec	0
TPEDLZMX	delay: enable to data, low to hi-Z, max	sec	0

* See [MODEL \(model definition\)](#).



Random access read-write memory

The RAM is normally initialized using unknown data at all addresses. There are two ways to provide other initialization data for RAMs. The normal way is to give the name of an Intel Hex Format file. This file is read before the simulation starts, and the RAM is initialized to match the data in the file. The other way to initialize the RAM is to include the initialization data on the device line (using the DATA=... construct).

Device format

```
U<name> RAM(<no. of address bits>, <no. of output bits>)
+ <digital power node> <digital ground node>
+ <read enable node> <write enable node>
+ <address msb node>...<address lsb node>
+ <write-data msb node>...<write-data lsb node>
+ <read-data msb node>...<read-data lsb node>
+ <timing model name> <I/O model name>
+ [MNTYMXDLY=<delay select value>]
+ [IO_LEVEL=<interface subckt select value>]
+ [FILE=<file name text value>]
+ [DATA=<radix flag>${<initialization data>}]
```

Timing model format

```
.MODEL <timing model name> URAM (<model parameters>*)
```

Arguments and options

<file name text value>

The name of an Intel Hex format file which specifies the initialization data for the RAM. The file name can be specified as a text constant (enclosed in double quotes “ ”), or as a text expression (enclosed in vertical bars | |). If a FILE is specified, any initialization data specified by a DATA section is ignored.

<radix flag>

One of the following:

- B binary data follows
- O octal data follows (most significant bit has the lowest address)
- X hexadecimal data follows (most significant bit has the lowest address)

<initialization data>

A string of data values used to initialize the RAM. The values start at address zero, first output bit. The next bit specifies the next output bit, and so on until all of the output bits for that address have been specified. Then the output values for the next address are given, and so on.

The data values must be enclosed in dollar signs (\$ \$), but can be separated by spaces or continuation lines.

The initialization of a RAM using the DATA=... construct is the same as the programming of a ROM. See [Read only memory](#) on the ROM primitive for an example.

Comments

The RAM has separate read and write sections, using separate data and enable pins, and shared address pins. To write to the RAM, the address and write data signals must be stable for the appropriate setup times, then write enable is raised. It must stay high for at least the minimum time, then fall. Address and data must remain stable while write enable is high, and for the hold time after it falls. Write enable must remain low for at least the minimum time before changing.

To read from the RAM, raise read enable, and the outputs change from Z (high impedance) to the appropriate value after a delay. The address can change while read enable is high, and if it does, the new data is available at the outputs after the delay.

Nothing prevents both the read and write enable from being true at the same time, although most real devices would not allow this. The new value from the write is sent to the read data outputs on the falling edge of write enable.

Random access memory timing model parameters

Model parameters *	Description	Units	Default
TPADHMN	delay: address to read data, low to hi, min	sec	0
TPADHTY	delay: address to read data, low to hi, typ	sec	0
TPADHMX	delay: address to read data, low to hi, max	sec	0
TPADLMN	delay: address to read data, hi to low, min	sec	0
TPADLTY	delay: address to read data, hi to low, typ	sec	0
TPADLMX	delay: address to read data, hi to low, max	sec	0
TPERDHMN	delay: read enable to read data, hi-Z to hi, min	sec	0
TPERDHTY	delay: read enable to read data, hi-Z to hi, typ	sec	0
TPERDHMX	delay: read enable to read data, hi-Z to hi, max	sec	0
TPERDLMN	delay: read enable to read data, hi-Z to low, min	sec	0
TPERDLTY	delay: read enable to read data, hi-Z to low, typ	sec	0
TPERDLMX	delay: read enable to read data, hi-Z to low, max	sec	0
TPERDHZMN	delay: read enable to read data, hi to hi-Z, min	sec	0
TPERDHZTY	delay: read enable to read data, hi to hi-Z, typ	sec	0
TPERDHZMX	delay: read enable to read data, hi to hi-Z, max	sec	0
THAEWTY	min hold time:write enable fall to address change, typ	sec	0
THAEWMX	min hold time:write enable fall to address change, max	sec	0
THDEWMN	min hold time:write enable fall to data change, min	sec	0
THDEWTY	min hold time:write enable fall to data change, typ	sec	0
THDEWMX	min hold time:write enable fall to data change, max	sec	0
THAEWMN	min hold time:write enable fall to address change, min	sec	0

Model parameters *	Description	Units	Default
TPERDLZMN	delay: read enable to read data, low to hi-Z, min	sec	0
TPERDLZTY	delay: read enable to read data, low to hi-Z, typ	sec	0
TPERDLZMX	delay: read enable to read data, low to hi-Z, max	sec	0
TSUDEWMN	min setup time: data to write enable rise, min	sec	0
TSUDEWTY	min setup time: data to write enable rise, typ	sec	0
TSUDEWMX	min setup time: data to write enable rise, max	sec	0
TSUAEWMN	min setup time: address to write enable rise, min	sec	0
TSUAEWTY	min setup time: address to write enable rise, typ	sec	0
TSUAEWMX	min setup time: address to write enable rise, max	sec	0
TWEWHMN	min width: enable write hi, min	sec	0
TWEWHTY	min width: enable write hi, typ	sec	0
TWEWHMX	min width: enable write hi, max	sec	0
TWEWLMN	min width: enable write low, min	sec	0
TWEWLTY	min width: enable write low, typ	sec	0
TWEWLMX	min width: enable write low, max	sec	0

* See [MODEL \(model definition\)](#).



Multi-bit A/D and D/A converter

The simulator provides two primitives to model analog-to-digital converters and digital-to-analog converters: the ADC and the DAC. These two primitives simplify the modeling of these complex mixed-signal devices.

Multi-bit analog-to-digital converter

Device format U<name> ADC(<number of bits>)
 + <digital power node> <digital ground node>
 + <in node> <ref node> <gnd node> <convert node>
 + <status node> <over-range node>
 + <output msb node> ... <output lsb node>
 + <timing model name> <I/O model name>
 + [MNTYMXDLY=<delay select value>]
 + [IO_LEVEL=<interface subckt select value>]

Timing model format

```
.MODEL <timing model name> UADC [model parameters]
```

Examples

```
U5 ADC(4) $G_DPWR $G_DGND ; 4-bit ADC
+ Sig Ref 0 Conv Stat OvrRng Out3 Out2 Out1 Out0
+ ADCModel IO_STD
```

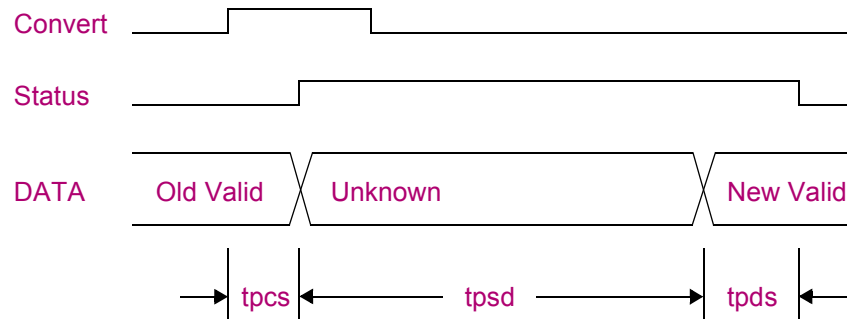
```
.MODEL ADCModel UADC(...) ; Timing Model
```

Multi-bit A/D converter timing model parameters

Model parameters *	Description	Units	Default
TPCSMN	propagation delay: rising edge of convert to rising edge of status, min	sec	0
TPCSTY	propagation delay: rising edge of convert to rising edge of status, typ	sec	0
TPCSMX	propagation delay: rising edge of convert to rising edge of status, max	sec	0
TPDSMN	propagation delay: data valid to falling edge of status, min	sec	0
TPDSTY	propagation delay: data valid to falling edge of status, typ	sec	0
TPDSMX	propagation delay: data valid to falling edge of status, max	sec	0
TPSDMN	propagation delay: rising edge of status to data valid, min	sec	0
TPSDTY	propagation delay: rising edge of status to data valid, typ	sec	0
TPSDMX	propagation delay: rising edge of status to data valid, max	sec	0

* See [.MODEL \(model definition\)](#).

ADC primitive device timing



DATA refers to both the data and over-range signals. The Convert pulse can be any width, including zero. If the propagation delay between the rising edge of the Convert signal and the Status signal (t_{psd}) is zero, the data and over-range do not go to unknown but directly to the new value. There is a resistive load from <ref node> to <gnd node>, and from <in node> to <gnd node>, of $1/G_{MIN}$.

The voltage at <in node> and <ref node> with respect to <gnd node> is sampled starting at the rising edge of the Convert signal, and ending when the Status signal becomes high. This gives a sample aperture time of t_{pcs} plus any rising time for Convert. If, during the sample aperture, the output calculated having the minimum <ref node> voltage and maximum <in node> voltage is different from the output calculated having the maximum <ref node> voltage and minimum <in node> voltage, the appropriate output bits are set to the unknown state and a warning message is printed in the output file.

The output is the binary value of the nearest integer to

$$\frac{V(\text{in, gnd})}{V(\text{ref, gnd})} \cdot 2^{n_{\text{bits}}}$$

If this value is greater than $2^{n_{\text{bits}}}-1$, then all data bits are 1, and over-range is 1. If this value is less than zero, then all data bits are zero, and over-range is 1.



Multi-bit digital-to-analog converter

Device format U<name> DAC(<number of bits>)
 + <digital power node> <digital ground node>
 + <out node> <ref node> <gnd node>
 + <input msb node> ... <input lsb node>
 + <timing model name> <I/O model name>
 + [MNTYMXDLY=<delay select value>]
 + [IO_LEVEL=<interface subckt select value>]

Timing model format

```
.MODEL <timing model name> UDAC [model parameters]
```

Examples

```
U7 DAC(4) $G_DPWR $G_DGND ; 4-bit DAC
+ Sig Ref 0 In3 In2 In1 In0
+ DACModel IO_STD
```

```
.MODEL DACModel UDAC(...) ; Timing model
```

Multi-bit D/A converter timing model parameters

Model parameters*	Description	Units	Default
TSWMN	Switching time: change in data to analog out stable, min	sec	10ns
TSWTY	Switching time: change in data to analog out stable, typ	sec	10ns
TSWMX	Switching time: change in data to analog out stable, max	sec	10ns

* See [.MODEL \(model definition\)](#).

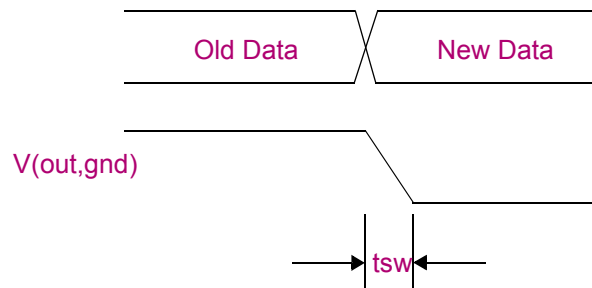
DAC primitive device timing

The DAC is a zero impedance voltage source from <out node> to <gnd node>. The voltage is

$$V(\text{ref, gnd}) \cdot \frac{(\text{binary value of inputs})}{2^{\text{nbits}}}$$

There is a resistance of 1/GMIN between <ref node> and <gnd node>.

If any inputs are unknown (X), the output voltage is halfway between the output voltage if all the X bits were 1 and the output voltage if all the X bits were 0. When an input bit changes, the output voltage changes linearly to the new value during the switching time.



Section

Behavioral primitives

The simulator offers three primitives to aid in the modeling of complex digital devices: the Logic Expression, Pin-to-Pin Delay, and Constraint Checker primitives. These devices are distinct from other primitives in that they allow data-sheet descriptions to be specified more directly, allowing a one-to-one correspondence using the function diagrams and timing specifications.

The Logic Expression primitive, LOGICEXP, uses free-format logic expressions to describe the functional behavior device.

The Pin-To-Pin Delay primitive, PINDLY, describes propagation delays using sets of rules based on the activity on the device inputs.

The Constraint Checker primitive, CONSTRAINT allows a listing of timing rules such as setup/hold times, and minimum pulse widths. When a violation occurs, the simulator issues a message indicating the time of the violation and its cause.

Logic expression

The LOGICEXP primitive allows combinational logic to be expressed in an equation-like style, using standard logic operators, node names, and temporary variables.

Device format

```
U<name> LOGICEXP ( <no. of inputs>, <no. of outputs> )
+ <digital power node> <digital ground node>
+ <input node 1> ... <input node n>
+ <output node 1> ... <output node n>
+ <timing model name>
+ <I/O model name>
+ [IO_LEVEL = <value>]
+ [MNTYMXDLY = <value>]
+ LOGIC:
+   <logic assignment>*
```

Timing model format

```
.MODEL <timing model name> UGATE [model parameters]
```

Arguments and options

LOGIC:

Marks the beginning of a sequence of one or more <logic assignments>. A <logic assignment> can have one of the two following forms:

```
<output node> = { <logic expression > }
<temporary value> = { <logic expression > }
```

<output node>

One of the output node names as it appears in the interface list. Assignments to an <output node> causes the result of the <logic expression> to be scheduled on that output pin. Each <output node> must have exactly one assignment.

<temporary value>

Any target of an assignment which is not specified as one of the nodes attached to the device defines a temporary variable. Once assigned, <temporary values> can be used inside subsequent <logic expressions>. They are provided to reduce the complexity and improve the readability of the model. The rules for node names apply to <temporary value> names

<logic expression>

A C-like, infix-notation expression that returns one of the five digital logic levels. Like all other expressions, <logic expressions> must be surrounded by curly braces { }. They can span one or more lines using the + continuation character in the first column position.

The logic operators are listed below from highest-to-lowest precedence.

Logic Expression Operators

~	unary not
&	and
^	exclusive or
	or

The allowed operands are:

- <input nodes>
- Previously assigned <temporary values>
- Previously assigned <output nodes>
- <logic constants>: 0, 1, X, R, F

As in other expressions, parentheses () can be used to group subexpressions. Note that these logic operators can also be used in Probe trace definitions.

Comments

The LOGICEXP primitive uses the same timing model as the standard gate primitives, UGATE.

See [Standard gate timing model parameters](#) for the list of UGATE model parameters.



Simulation behavior

When a LOGICEXP primitive is evaluated during a transient analysis, the assignment statements using it are evaluated in the order they were specified in the netlist. The logic expressions are evaluated using no delay. When the result is assigned to an output node, it is scheduled on that output pin using the appropriate delay specified in the timing model.

Internal feedback loops are not allowed in expressions. That is, an expression cannot reference a value which has yet to be defined. However, external feedback is allowed if the output node also appears on the list of input nodes.

This example models the functionality of the 74181 Arithmetic/Logic Unit. The logic for the entire part is contained in just one primitive. Timing would be handled by the PINDLY and CONSTRAINT primitives. Refer to any major device manufacturer's data book for a detailed description of the operation of the 74181.

```

U74181 LOGICEXP( 14, 8 ) DPWR DGND
+ AOBAR A1BAR A2BAR A3BAR BOBAR B1BAR B2BAR B3BAR S0 S1 S2 S3 M CN
+ LFOBAR LF1BAR LF2BAR LF3BAR LAEQUALB LPBAR LGBAR LCN+4
+ DO_GATE IO_STD
+
+ LOGIC:
*
* Intermediate terms:
*
+ I31 = { ~( (B3BAR & S3 & A3BAR) | (A3BAR & S2 & ~B3BAR) ) }
+ I32 = { ~( (~B3BAR & S1) | (S0 & B3BAR) | A3BAR ) }
+
+ I21 = { ~( (B2BAR & S3 & A2BAR) | (A2BAR & S2 & ~B2BAR) ) }
+ I22 = { ~( (~B2BAR & S1) | (S0 & B2BAR) | A2BAR ) }
+
+ I11 = { ~( (B1BAR & S3 & A1BAR) | (A1BAR & S2 & ~B1BAR) ) }
+ I12 = { ~( (~B1BAR & S1) | (S0 & B1BAR) | A1BAR ) }
+
+ I01 = { ~( (BOBAR & S3 & AOBAR) | (AOBAR & S2 & ~BOBAR) ) }
+ I02 = { ~( (~BOBAR & S1) | (S0 & BOBAR) | AOBAR ) }
+
+ MBAR = { ~M }
+ P = { I31 & I21 & I11 & I01 }
*
* Output Assignments
*
+ LF3BAR = { (I31 & ~I32) ^
+   ~( (I21 & I11 & I01 & Cn & MBAR) | (I21 & I11 & I02 & MBAR) |
+   (I21 & I12 & MBAR) | (I22 & MBAR) ) }
+
+ LF2BAR = { (I21 & ~I22) ^
+   ~( (I11 & I01 & Cn & MBAR) | (I11 & I02 & MBAR) |
+   (I12 & MBAR) ) }
+
+ LF1BAR = { (I11 & ~I12) ^ ~( (Cn & I01 & MBAR) |
+   (I02 & MBAR) ) }
+
+ LFOBAR = { (I01 & ~I02) ^ ~(MBAR & Cn) }
+
+ LGBAR = { ~( I32 | (I31 & I22) | (I31 & I21 & I12) |
+   (I31 & I22 & I11 & I02) ) }
+
+ LCN+4 = { ~LGBAR | (P & Cn) }
+ LPBAR = { ~P }
+ LAEQUALB = { LF3BAR & LF2BAR & LF1BAR & LFOBAR }

```

Pin-to-pin delay

The pin-to-pin (PINDLY) primitive is a general mechanism that allows the modeling of complex device timing. It can be thought of as a set of delay-lines (paths) and rules describing how to associate specific amounts of delay using each path.

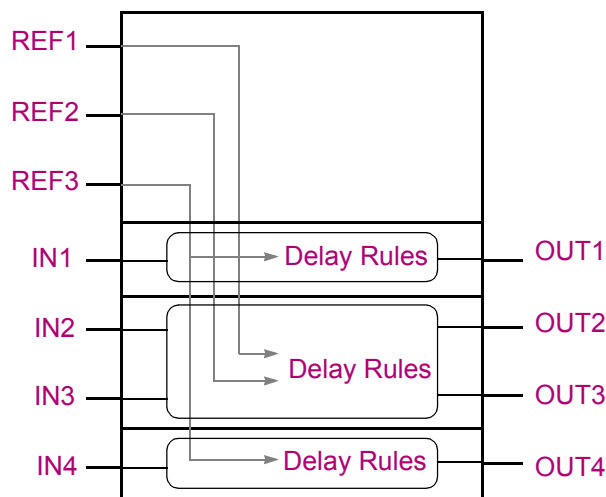
A PINDLY primitive is used in the output path of a device model, typically at the output pins of a subcircuit definition. A single PINDLY primitive can model the timing and output characteristics of an entire part, including tristate behavior.

PINDLY primitives are expressed and evaluated in a manner similar to the LOGICEXP primitive, except in this case a delay expression is assigned to each output. Whenever an output path undergoes a transition, its delay expression is evaluated to determine the propagation delay which is to be applied to that change.

A delay expression can contain one or more rules that determine which activity on the part's inputs is responsible for the output change, for example, "is the output changing because the clock changed or the data changed?" This allows device models to be derived directly from data sheets, which typically specify propagation delays based on which input is changing. The PINDLY primitive uses its reference inputs to determine the logic state and recent transitions on nodes which are not in the output path.

Pin-to-pin delay modeling is much simpler compared to earlier methods, in which input-to-output delays had to be distributed among the low-level primitives used to model the device. The latter method can require a great deal of trial and error because manufacturer's data sheets do not provide a one-to-one association between the logic diagram and the timing specifications.

PINDLY primitives can also contain constraints such as setup/hold, width, and frequency specifications, like those supported by the CONSTRAINT primitive. When used in the PINDLY primitive, these constraints allow the simulator to propagate hazard conditions and report violations in subsequent logic.



Device format

```

U<name> PINDLY ( <no. of paths>, <no. of enables>, <no. of
refs> )
+ <digital-power-node> <digital-ground-node>
+ <input node 1> ... <input node n>
+ [<enable node 1> ... <enable node n>]
+ [<reference node 1> ... <reference node n>]
+ <output node 1> ... <output node n>
+ <I/O model name>
+ [MNTYMXDLY = <delay select value>]
+ [IO_LEVEL = <interface subckt select value>]
+ [BOOLEAN:
+   <boolean assignment>* ]
+ PINDLY:
+   <delay assignment>*
+ [TRISTATE:
+   ENABLE LO | HI <enable node>
+   <delay assignment>* ]
+ [SETUP_HOLD: <setup-hold-specification> ]
+ [WIDTH: <width-specification> ]
+ [FREQ: <frequency-specification> ]
+ [GENERAL: <general-specification> ]

```

Examples

```

U1 PINDLY(4,0,3) $G_DPWR $G_DGND
+ IN1 IN2 IN3 IN4
+ REF1 REF2 REF3
+ OUT1 OUT2 OUT3 OUT4
+ IO_MODEL DO_GATE
+ PINDLY:
+ ...

```

Arguments and options

<no. of paths>

Specifies the number of input-to-output paths represented by the device; the number of inputs must be equal to the number of outputs. A path is defined as an input-to-output association, having the appropriate delay rules started according to the described conditions.

<no. of enables>

Specifies the number of tristate enable nodes used by the primitive. Enable nodes are used in TRISTATE sections. <no. of enables> can be zero.

<no. of refs>

Specifies the number of reference nodes used by the primitive. Reference nodes are used within delay expressions to get state information about signals which are not in the input-to-output paths. <no. of refs> can be zero.

Comments

The example depicts the relationship and purpose of the different pins on the PINDLY primitive.

The PINDLY primitive can be viewed as four buffers, IN1 to OUT1 through IN4 to OUT4, and three reference nodes which are used by the output delay rules. The figure shows how the reference nodes can be used in one or more set of delay rules. In this case, REF1 and REF2 are used by the delay rules for OUT2, and REF3 is used by the delay rules for OUT1 and OUT4. The figure also shows that OUT2 and OUT3 can share the same delay rules. The remainder of the format description describes how to create delay rules.

BOOLEAN: Marks the beginning of a section of one or more <boolean assignments>, which define temporary variables that can be used in subsequent <delay expressions>. BOOLEAN sections can appear in any order within the PINDLY primitive. A <boolean assignment> has the following form:

```
<boolean variable> = { <boolean-expression> }
```

<boolean variable> can be any name which follows the node name rules.

<boolean expression> is a C-like, infix-notation expression which returns the boolean value TRUE or FALSE. Like all other expressions, <boolean expressions> must be surrounded by curly braces {...}. They can span one or more lines by using the + continuation character in the first column position. The boolean operators are listed below from highest-to-lowest precedence:

~	unary not
==	equality
!=	inequality
&	and
^	exclusive or
	or

All boolean operators take the following boolean values as operands:

- Previously assigned <boolean variables>
- Reference functions (defined below)
- Transition functions (defined below)
- <boolean constants>: TRUE, FALSE

In addition, the == and != operators take logic values, such as <input nodes> and <logic constants>. This allows for a check of the values on nodes; for example, CLEAR == 1 returns TRUE if the current level on the node CLEAR is a logic one and FALSE otherwise.

Reference functions

Reference functions are used to detect changes (transitions) on <reference nodes> or <input nodes>. All reference functions return boolean values, and therefore can be used within any <boolean expression>. Following is the list of available reference functions and their arguments:

```
CHANGED <node>, <delta time> )  
CHANGED_LH <node>, <delta time> )  
CHANGED_HL <node>, <delta time> )
```

The CHANGED function returns TRUE if the specified <node> has undergone any state transition within the past <delta time>, prior to the current simulation time; otherwise it returns FALSE.

Similarly, CHANGED_LH returns TRUE if <node> has specifically undergone a low-to-high transition within the past <delta time>; FALSE otherwise. Note that CHANGED_LH only looks at the most recent (or current) transition. It cannot, for example, determine if 0 \rightarrow 1 occurred two transitions ago.

Finally, CHANGED_HL is similar to CHANGED_LH, but checks for high-to-low transitions.

If a <delta time> is specified zero, the reference functions return TRUE if the node has changed at the current simulation time. This allows all of the functionality of a device to be modeled in zero delay so that the total delay through the device can be described using the delay expressions.

Transition functions

Transition functions are used to determine the state change occurring on the changing output, that is, the <output node> for which the <delay expression> is being evaluated. Like reference functions, transition functions return boolean values. However, they differ from reference functions in that transition functions take no arguments, since they implicitly refer to the changing output at the current time. The transition functions are of the general form:

TRN_pn

where p is the previous state value and n is the new state value. State values are taken from the set { L H Z \$ }. Where appropriate, the \$ can be used to signify don't care, e.g., a TRN_H\$ matches a transition from H to ANY state. Rising states automatically map to High, and Falling states automatically map to Low.

As a term in any boolean expression, for example, TRN_LH takes on a TRUE value if the changing output is propagating a change from zero to one.

Following is the complete set of transition functions.

TRN_LH TRN_LZ TRN_L\$ TRN_HL TRN_HZ TRN_H\$ TRN_ZL TRN_ZH TRN_Z\$ TRN_\$L TRN_\$H TRN_\$Z



The TRN_pZ and TRN_Zn functions return true only if it is used within a TRISTATE section, described below. Although open-collector outputs also transition to a high-impedance Z (instead of H), most data books describe propagation times on open-collector outputs as TPLH or TPHL. Therefore, open-collector output devices should use TRN_LH and TRN_HL, and tristate output devices should use TRN_LZ, TRN_HZ, TRN_ZL, and TRN_ZH.

PINDLY: marks the beginning of a section of one or more <delay assignments>, which are used to associate propagation delays using the PINDLY primitive's outputs.

<delay assignments> are of the form:

<output node>* = { <delay expression> }

<output node> is one of the output node names as it appears in the interface list. Each <output node> must have exactly one assignment. Several outputs can share the same delay rules by listing them (separated by spaces or commas) on the left-hand side of the <delay expression>.

<delay expression> is an expression which, when evaluated, returns a triplet (min, typ, max) of delay values. Like all other expressions, <delay expressions> must be surrounded by curly braces {...}. They can span one or more lines by using the +222222222222 continuation character in the first column position.

The simplest <delay expression> is a single <delay value>, defined as:

DELAY(<min>, <typ>, <max>)

where <min>, <typ>, and <max> are floating point constants or expressions (involving parameters), expressed in seconds. To specify unknown values, use -1. For example, DELAY(20ns,-1,35ns) specifies a minimum time of 20ns, a default (program-computed) value for typical, and a maximum of 35ns. See [Treatment of unspecified propagation delays](#) for more information on default delays.

The delay assignment below specifies the propagation delays through output Y to be: min=2ns, typ=5ns, and max=9ns.

```
...
+ PINDLY:
+   Y = { DELAY(2ns, 5ns, 9ns) }
...
```

To define more complex, rule-based <delay expressions>, use the CASE function, which has the form:

```
CASE(
<boolean expression>, <delay expression>; Rule 1
<boolean expression>, <delay expression>; Rule 2
...
<delay expression>           ; Default delay
)
```

The arguments to the CASE function are pairs of <boolean expressions> and <delay expressions>, followed by a final default <delay expression>. <boolean expressions> (described above) can contain <boolean values>, reference functions, and transition functions.

When the CASE function is evaluated, each <boolean expression> is evaluated in order of appearance until one produces a TRUE result. When this occurs, the <delay expression> it is paired with the result of the CASE function, and the evaluation of the CASE is ended. If none of the <boolean expressions> return a TRUE result, the value of the final <delay expression> is used. Because it is possible for all <boolean expressions> to evaluate FALSE, the default delay value must be supplied. Note that each argument to the CASE function must be separated by commas.

```
...
+ BOOLEAN:
+   CLOCK = { CHANGED_LH( CLK, 0 ) }
+ PINDLY:
+   QA QB QC QD = {
+     CASE (
+       CLOCK & TRN_LH, DELAY(-1,13ns,24ns),
+       CLOCK & TRN_HL, DELAY(-1,18ns,27ns),
+       CHANGED_HL( CLRBAR,0), DELAY(-1,20ns,28ns),
+       DELAY(-1,20ns,28ns) ; Default
+     )
+   }
+ }
```

This example describes the delays through a four-bit counter. It shows how rules can be defined to precisely isolate the cause of the output change. In this example, the boolean variable CLOCK is being defined. It is TRUE whenever the reference input CLK changes from low-to-high at the current simulation time. This is only true if the device functionality is modeled in zero delay.

The four outputs QA through QD all share the same delay expression. The CASE is used to specify different delays when the device is counting or clearing. The first two rules define delays when the device is counting (CLK changing low-to-high); the first when the output (QA through QD) is going from low-to-high, the second from high-to-low.

The third rule simply uses the CHANGED_HL function directly to determine whether CLRBAR is changing, and in this case the specification applies to any change (low-to-high or high-to-low) on the output. The default delay applies to all other output transitions which are not covered by the first three rules.

TRISTATE: marks the beginning of a sequence of one or more <delay assignments>. The TRISTATE section differs from the PINDLY section in that the outputs are controlled by the specified enable node.

Immediately following the TRISTATE keyword, an enable node must be specified using its polarity and the ENABLE keyword:

ENABLE HI <enable node>; Specifies active HI enable

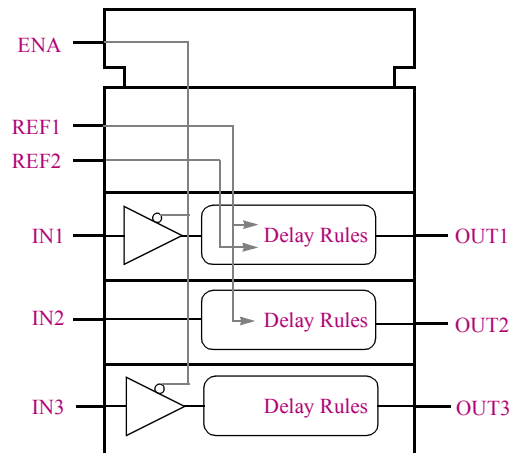
ENABLE LO <enable node>; Specifies active LO enable

The specified <enable node> applies to all <output node> assignments in the current section.



Note that <delay expressions> within a TRISTATE section can contain the transition functions pertaining to the Z state, for example TRN_ZL and TRN_HZ.

The following example demonstrates how an enable node can be used to control more than one output. It also shows that some device outputs can use the standard output (PINDLY) while others use the tristate output. (Delay values have been omitted.)



```

U1 PINDLY(3,1,2) $G_DPWR $G_DGND
+ IN1 IN2 IN3
+ ENA
+ REF1 REF2
+ OUT1 OUT2 OUT3
+ IO_MODEL
+ TRISTATE:
+ENABLE LO = ENA
+OUT1 = {
+ CASE(
+     CHANGED(REF1, 0) & TRN_LH, DELAY(...),
+     CHANGED(REF2, 0),          DELAY(...),
+     TRN_ZL,                    DELAY(...),
+     ...
+ )
+ }
+OUT3 = {
+ CASE(
+     TRN_LZ, DELAY(...),
+     TRN_HZ, DELAY(...),
+     ...
+ )
+ }
+ PINDLY:
+OUT2 = {
+ CASE(
+     CHANGED(REF1,0), DELAY(...),
+     ...
+ )
+ }

```

- 1** Each CONSTRAINT clause operates independently of all others within a device.
- 2** By default, for violations involving <input node>, the message tag propagates to the <output node> having positional correspondence.
- 3** By default, for violations involving <reference node>, the message tag propagates to ALL <output node>s.
- 4** The default behavior can be overridden by use of one of the following statements, which can appear anywhere within any constraint clause proper:
 - AFFECTS (#OUTPUTS) = <output node> { ... }
 - AFFECTS_ALL
- 5** AFFECTS_NONE is always the default for the GENERAL constraint.

SETUP-HOLD: Marks the beginning of a constraint specification. These

WIDTH: constructs have the same syntax as those used in the

FREQ: CONSTRAINT primitive (see page [3-314](#)).

GENERAL: When a PINDLY primitive is used, the constraint specifications allow the simulator to not only report timing violations, but also to track the effects of the violations in downstream logic. This allows more serious persistent hazards to be reported. This behavior differs from the CONSTRAINT primitive, which only reports timing violations.

PINDLY primitive simulation behavior

A PINDLY primitive is evaluated whenever any of its <input nodes> or <enable nodes> change. The <input node> is positionally associated using its corresponding <output node>. The BOOLEAN statements up to the output assignment are evaluated first, then the appropriate PINDLY or TRISTATE <delay expression> which has been assigned to the changing <output node> is evaluated. The changing input's state is then applied to the output, using its delay value.

The following PINDLY primitive models the timing behavior of a 74LS160A counter. This example is derived directly from the device model in the model library.

```

ULS160ADLY PINDLY(5,0,4) DPWR DGND
+ RCO QA QB QC QD      ; Inputs
+ CLK LOADBAR ENT CLRBAR; Reference nodes
+ RCO_0 QA_0 QB_0 QC_0 QD_0; Outputs
+ IO_LS MNTYMXDLY={MNTYMXDLY} IO_LEVEL={IO_LEVEL}
+
+ BOOLEAN:
+   CLOCK = { CHANGED_LH(CLK,0) }
+   CNTENT = { CHANGED(ENT,0) }
+
+ PINDLY:
+   QA_0 QB_0 QC_0 QD_0 = {
+     CASE(
+       CLOCK & TRN_LH, DELAY(-1,13NS,24NS),
+       CLOCK & TRN_HL, DELAY(-1,18NS,27NS),
+       CHANGED_HL(CLRBAR,0), DELAY(-1,20NS,28NS),
+       DELAY(-1,20NS,28NS); Default
+     )
+   }
+
+   RCO = {
+     CASE(
+       CNTENT, DELAY(-1,9NS,14NS),
+       CLOCK & TRN_LH, DELAY(-1,18NS,35NS),
+       CLOCK & TRN_HL, DELAY(-1,18NS,35NS),
+       DELAY(-1,20NS,35NS); Default
+     )
+   }
+

```



Constraint checker

The CONSTRAINT primitive provides a general constraint checking mechanism to the digital device modeler. It performs setup and hold time checks, pulse width checks, frequency checks, and includes a general mechanism to allow user-defined conditions to be reported.

The CONSTRAINT primitive only reports timing violations. It does not affect propagated or stored logic state or propagation delays.

Timing specifications are usually given at the device (i.e., package pin) level. Thus, the inputs to the constraint description typically are those of the subcircuit description of the device, after any necessary buffering. CONSTRAINT devices can be used in conjunction with any combination of digital primitives, including gates, logic expressions, and pin-to-pin delay primitives.

Device format

```
U<name> CONSTRAINT ( <no. of inputs> )
+ <digital power node> <digital ground node>
+ <input node 1> ... <input node n>
+ <I/O model name>
+ [ IO_LEVEL = <interface subckt select value> ]
+ [ BOOLEAN: <boolean assignment>* ] ...
+ [ SETUP_HOLD: <setup_hold specification> ] ...
+ [ WIDTH: <width specification> ] ...
+ [ FREQ: <frequency specification> ] ...
+ [ GENERAL: <general specification> ] ...
```

BOOLEAN: marks the beginning of a section containing one or more <boolean assignments>, of the form:

```
<boolean variable> = { <boolean expression> }
```

BOOLEAN sections can appear in any order within the CONSTRAINT primitive.

The syntax of the <boolean expression> is the same as that defined in the PINDLY primitive reference, having the exception that transition functions have no meaning within the CONSTRAINT primitive.

SETUP_HOLD:

Marks the beginning of a setup/hold constraint specification, which has the following format:

```
+ SETUP_HOLD:
+ CLOCK <assertion edge> = <input node>
+ DATA ( <no. of data inputs> ) = <input node j> ... <input node k>
+ [ SETUPTIME = <time value> ]
+ [ HOLDTIME = <time value> ]
+ [ RELEASETIME = <time value> ]
+ [ WHEN {<boolean expression>} ]
+ [ MESSAGE = "<additional message text>" ]
+ [ ERRORLIMIT = <value> ]
+ [ AFFECTS_ALL | AFFECTS_NONE |
+   AFFECTS (#OUTPUTS) = <output-node-list> ]
```



One or more sections can be specified in any order. Note that AFFECTS clauses are only allowed in PINDLY primitives.

CLOCK defines the node to be used as the reference for setup/hold/release specification. <assertion edge> is one of LH or HL, and specifies which edge of the CLOCK node the setup/hold time is measured against. The CLOCK node must be specified.

DATA defines one or more nodes to be the nodes whose setup/hold time is being measured. At least one DATA node must be specified.

SETUPTIME defines the minimum time that all DATA nodes must be stable prior to the <assertion edge> of the clock. The <time value> must be a nonnegative constant or expression, expressed in seconds. Some devices have different setup time requirements which depend on whether the data is a low or a high at the time of the clock change. In this case, one or both of the following can be used:

```
SETUPTIME_LO = <time value>  
SETUPTIME_HI = <time value>
```

instead of SETUPTIME, which defines both low- and high-level specifications. If one or both SETUPTIME_xx specifications is zero, the simulator does not perform a setup check for that data level.

HOLDTIME defines the minimum time that all DATA nodes must be stable after the <assertion edge> of the clock. The <time value> must be a nonnegative constant or expression, expressed in seconds. Some devices have different hold time requirements which depend on whether the data is a low or a high at the time of the clock change. In this case, one or both of the following can be used:

```
HOLDTIME_LO = <time value>  
HOLDTIME_HI = <time value>
```

instead of HOLDTIME, which defines both low- and high-level specifications. If one or both HOLDTIME_xx specifications is zero, the simulator does not perform a hold check for that data level.

RELEASETIME specifications cause the simulator to perform a special-purpose setup check. In a data sheet, release time (also called recovery time) specifications refer to the minimum time a signal (such as CLEAR) can go inactive before the active CLOCK edge. In other words, release times refer to the position of a specific data edge in relation to the clock edge. For this reason, one or both of the following can be used:

```
RELEASETIME_LH = <time value>  
RELEASETIME_HL = <time value>
```

instead of RELEASETIME, which defines both LH- and HL-edge specifications. The <time value> must be a nonnegative constant or expression, expressed in seconds.

The difference between the release-time checker and the setup-time checker is that simultaneous CLOCK/DATA changes are never allowed in the release-time check. That is, a nonzero hold time is assumed, even though the HOLDTIME is not specified. This feature allows the data sheet values to be specified for release-times directly in a model. For this reason, release times are usually given alone, and not in conjunction with SETUPTIME or HOLDTIME specifications.

Simulation behavior: CLOCK

The sequence of setup/hold/release checks begins when the CLOCK node undergoes the specified LH or HL transition. At that time, the WHEN expression is evaluated. If the result is TRUE, all checks using nonzero specifications are performed for during this clock cycle. If the result is FALSE, then no setup, hold, or release checks are performed. The WHEN expression is used in device models to block the reporting of violations when the device is not listening to the DATA inputs, such as during a clearing function.

The simulator performs setup-time checks when the CLOCK node undergoes an <assertion edge>. If the HOLDTIME specification is zero, simultaneous CLOCK/DATA transitions are allowed, however the previous value of DATA is still checked for setup-time. If the HOLDTIME is not zero, simultaneous CLOCK/DATA transitions are reported as a HOLDTIME violation.

The simulator performs hold-time checks on any DATA node that changes after the <assertion edge> on the CLOCK node. If the SETUPTIME is zero, simultaneous CLOCK/DATA changes are allowed, and the next transition on DATA which occurs before the non-asserting clock edge is checked for a hold-time violation.

The simulator performs release-time checks when the CLOCK node undergoes an <assertion edge>. Simultaneous CLOCK/DATA transitions are not allowed, and is flagged as a violation.

If either the CLOCK or DATA node is unknown (X) at the time of a check, no violation is reported for that node. This reduces the number of unnecessary warning messages: an X being clocked into a device is usually a symptom of another problem which has already been reported.

The sequence ends when the CLOCK node undergoes the other (non-asserting) edge. At this time, any violations which occurred during that clock cycle are reported. (This makes it possible for violations to appear out of time-order in the .out file.)

WIDTH: Marks the beginning of a minimum pulse-width constraint specification, which has the following format:

```
+ WIDTH:
+   NODE = <input node>
+   [ MIN_HI = <time value> ]
+   [ MIN_LO = <time value> ]
+   [ WHEN {<boolean expression>} ]
+   [ MESSAGE = "<additional message text>" ]
+   [ ERRORLIMIT = <value> ]
+   [ AFFECTS_ALL | AFFECTS_NONE |
+     AFFECTS (#OUTPUTS) = <output-node-list> ]
```



One or more sections can be specified in any order. Note that AFFECTS clauses are only allowed in the PINDLY primitive.

NODE defines the input node whose pulse width is to be checked.

MIN_HI specifies the minimum time that the <input node> can remain at a high (1) logic level. The <time value> must be a nonnegative constant or expression, expressed in seconds. If not specified, MIN_HI defaults to 0, meaning that any width HI pulse is allowed.

MIN_LO likewise specifies the minimum time that the <input node> can remain at a low (0) logic level. The <time value> must be a nonnegative constant or expression, expressed in seconds. If not specified, MIN_LO defaults to 0, meaning that any width LO pulse is allowed.

At least one instance of MIN_HI or MIN_LO must appear within a WIDTH specification.

FREQ: marks the beginning of a frequency constraint specification, which has the following format:

```
+ FREQ:
+   NODE = <input node>
+   [ MINFREQ = <frequency value> ]
+   [ MAXFREQ = <frequency value> ]
+   [ WHEN { <boolean expression> } ]
+   [ MESSAGE "<additional message text>" ]
+   [ ERRORLIMIT = <value> ]
+   [ AFFECTS_ALL | AFFECTS_NONE |
+     AFFECTS (#OUTPUTS) = <output-node-list> ]
```



One or more sections can be specified in any order. Note that AFFECTS clauses are only allowed in the PINDLY primitive.

NODE defines the input node whose frequency is to be checked.

MINFREQ specifies the minimum frequency allowed on <input node>. The <frequency value> must be a nonnegative floating point constant or expression, expressed in hertz.

MAXFREQ specifies the maximum frequency allowed on <input node>. The <frequency value> must be a nonnegative floating point constant or expression, expressed in hertz.

At least one of MINFREQ or MAXFREQ must be specified within a FREQ specification.

Simulation Behavior: FREQ

When performing a MINFREQ check, the simulator reports a violation whenever the duration of a period on the <input node> is greater than $1/\text{frequency value}$. Likewise, when performing a MAXFREQ check, it reports a violation whenever any period is less than $1/\text{frequency value}$. To avoid large numbers of violations, the simulator does not report subsequent violations until after a valid cycle occurs.

Note that the use of maximum FREQ specifications provides a slightly different functionality from that achieved by use of minimum pulse-width checks: in the FREQ specification case, the duty-cycle characteristic of the signal is not measured or constrained in any way, whereas the pulse-width check effectively defines the allowable duty-cycle.

Some clocked state-storage device specifications include information about maximum clock frequency, but omit duty-cycle information.

GENERAL: Marks the beginning of a general condition test. GENERAL constraints have the following form:

```
+ GENERAL:
+   WHEN { <boolean expression> }
+   MESSAGE = "<message text>"
+   [ ERRORLIMIT = <value> ]
+   [ AFFECTS_ALL | AFFECTS_NONE |
+     AFFECTS (#OUTPUTS) = <output-node-list> ]
```



One or more sections can be specified in any order. Note that AFFECTS clauses are only allowed in the PINDLY primitive. The default for the GENERAL constraint is AFFECTS_NONE.

WHEN is used to define a boolean expression, which can describe arbitrary signal relationships that represent the error or condition of interest.

MESSAGE defines the message to be reported by the simulation whenever the WHEN expression evaluates TRUE. The <message text> must be a text constant (enclosed by double quotes “ ”) or a text expression.



The <boolean expression> is evaluated whenever the CONSTRAINT primitive is evaluated, that is, whenever any of its inputs undergo a transition. If the result is TRUE, the simulator produces a header containing the time of the occurrence, followed by the <message text>.

General notes

Any or all of the constraint specifications (SETUP_HOLD, WIDTH, FREQ, GENERAL) can appear, in any order, within a CONSTRAINT primitive. Further, more than one constraints of the same type can appear (such as two WIDTH specifications). Each of the constraint specifications is evaluated whenever any inputs to the CONSTRAINT primitive instance change.

All constraint specifications can optionally include a WHEN statement, which is interpreted as “only perform the check when result of <boolean expression> == TRUE.” The WHEN statement is required in the GENERAL constraint.

Each constraint type (SETUP_HOLD, WIDTH, FREQ, and GENERAL) has an associated built-in message. In addition, each instance can include a MESSAGE specification, which takes a text constant (enclosed in double quotes “ ”) or text expression. The <additional message text> is appended to the end of the internally-generated, type-specific message which is output whenever a violation occurs. The MESSAGE clause is required for the GENERAL constraint device.

All of the constraint specifications can accept an optional ERRORLIMIT specification. The <value> must be a nonnegative constant or expression. The default <value> is obtained from the value of the DIGERRDEFAULT (set using the .OPTIONS command), which defaults to 20. A value of zero is interpreted as infinity, i.e., no limit. When more than <value> violations of the associated constraint have occurred, no further message output is generated for that constraint checker; other checkers within the CONSTRAINT primitive that have not exceeded their own ERRORLIMITs continue to operate.

During simulation, if the total number of digital violations reported exceeds the value given by DIGERRLIMIT (set using the [.OPTIONS \(analysis options\)](#) command), then the simulation is halted. DIGERRLIMIT defaults to infinity.

This CONSTRAINT primitive example below was derived from the 74LS160A device in the model library. It demonstrates how all of the timing checks can be performed by a single primitive.

```

ULS160ACON CONSTRAINT(10) DPWR DGND
+ CLK ENP ENT CLRBAR LOADBAR A B C D EN
+ IO_LS
+ FREQ:
+   NODE = CLK
+   MAXFREQ = 25MEG
+ WIDTH:
+   NODE = CLK
+   MIN_LO = 25NS
+   MIN_HI = 25NS
+ WIDTH:
+   NODE = CLRBAR
+   MIN_LO = 20NS
+ SETUP_HOLD:
+   DATA(1) = LOADBAR
+   CLOCK LH = CLK
+   SETUP_TIME = 20NS
+   HOLDTIME = 3NS
+   WHEN = { CLRBAR!='0 }
+ SETUP_HOLD:
+   DATA(2) = ENP ENT
+   CLOCK LH = CLK
+   SETUP_TIME = 20NS
+   HOLDTIME = 3NS
+   WHEN = { CLRBAR!='0 & (LOADBAR!='0 ^ CHANGED(LOADBAR,0))
+     & CHANGED(EN,20NS) }
+ SETUP_HOLD:
+   DATA(4) = A B C D
+   CLOCK LH = CLK
+   SETUP_TIME = 20NS
+   HOLDTIME = 3NS
+   WHEN = { CLRBAR!='0 & (LOADBAR!='1 ^ CHANGED(LOADBAR,0)) }
+ SETUP_HOLD:
+   DATA(1) = CLRBAR
+   CLOCK LH = CLK
+   RELEASETIME_LH = 25NS

```



Stimulus devices

Stimulus devices apply digital waveforms to a node. Their purpose is to provide the input to a digital circuit or a digital portion of a mixed circuit. They play the same role in the digital simulator that the independent voltage and current sources (V and I devices) do in the analog simulator.

There are two types of stimulus devices: the stimulus generator (STIM), which uses a simple command to generate a wide variety of waveforms; and the file stimulus (FSTIM), which obtains the waveforms from an external file.

Unlike digital primitives, stimulus devices do not have a Timing Model. This is similar to the analog V and I devices: the timing characteristics are described by the device itself, not in a separate model.

Stimulus generator

Device format U<name> STIM(<width>, <format array>)
 + <digital power node> <digital ground node>
 + <node>*
 + <I/O model name>
 + [STIMULUS=<stimulus name>]
 + [IO_LEVEL=<interface subckt select value>]
 + [TIMESTEP=<stepsize>]
 + <command>*

Arguments and options

<width>

Specifies the number of signals (nodes) output by the stimulus generator.

<format array>

Specifies the format of <value>s used in defining the stimulus. <format array> is a sequence of digits which specifies the number of signals (nodes) that the corresponding digit in a <value> represents. Each digit of <value> is assumed to be in base 2_{<m>} where <m> is the corresponding digit in <format array>. Each <value> must have the same number of digits as <format array>. The sum of the digits in <format array> must be <width>, and each digit must be either a 1, 3, or 4 (that is, binary, octal, or hexadecimal).

<digital power node> <digital ground node>

These nodes are used by the interface devices which connect analog nodes to digital nodes or vice versa. Refer to your PSpice user's guide for more information.

<node>*

One or more node names which are output by the stimulus generator. The number of nodes specified must be the same as <width>.

<I/O model name>

The name of an I/O model, which describes the driving characteristics of the stimulus generator. I/O models also contain the names of up to four DtoA interface subcircuits, which are automatically called by the simulator to handle interface nodes. In most cases, the I/O model named IO_STM can be used from the "dig_io.lib" library file. Refer to your PSpice user's guide for a more detailed description of I/O models.

STIMULUS

An optional parameter for referencing a stimulus definition.

IO_LEVEL An optional device parameter which selects one of the four DtoA interface subcircuits from the I/O model. The simulator calls the selected subcircuit automatically in the event a <node> connects to an analog device. If not specified, IO_LEVEL defaults to 0. Valid values are:

0 = the current value of .OPTIONS DIGIOLVL (default=1)
 1 = DtoA1
 2 = DtoA2
 3 = DtoA3
 4 = DtoA4

Refer to your PSpice user's guide for more information.

TIMESTEP

Number of seconds per clock cycle, or step. Transition times that are specified in clock cycles (using the C suffix) are multiplied by this amount to determine the actual time of the transition. (See <time> below.) If TIMESTEP is not specified, the default is zero seconds. TIMESTEP has no effect on <time> values which are specified in seconds (using the S suffix).

<command>*

A description of the stimuli to be generated, using one or more of the following.

```
<time> <value>
LABEL=<label name>
<time> GOTO <label name> <n> TIMES
<time> GOTO <label name> UNTIL GT <value>
<time> GOTO <label name> UNTIL GE <value>
<time> GOTO <label name> UNTIL LT <value>
<time> GOTO <label name> UNTIL LE <value>
<time> INCR BY <value>
<time> DECR BY <value>
REPEAT FOREVER
REPEAT <n> TIMES
ENDREPEAT
FILE=<file name>
```

<time>

Specifies the time for the new <value>, GOTO, or INCR/DECR command to occur.

Time units

Time values can be stated in seconds or in clock cycles (see TIMESTEP above). To specify a time value in clock cycles, use the C suffix. Otherwise, the units default to seconds.

Absolute/relative times

Times can be absolute, such as 45ns or 10c, or relative to the previous time. To specify a relative time, prefix the time using a “+” such as +5ns or +2c.

<value> is the value for each node (0, 1, R, F, X, or Z). <value> is interpreted using the <format array>.

<label name> is the name used in GOTO statements. GOTO <label name> jumps to the next non-label statement after the <LABEL = <label name>> statement.

<n> is the number of times to repeat a GOTO loop. Use a -1 to specify forever.

Keep the following in mind when using the stimulus command:

Transitions using absolute times within a GOTO loop are converted to relative times based on the time of the previous command and the current step size.

- GOTO <label name> must specify a label that has been defined in a previous LABEL=<label name> statement.
- Times must be in strictly ascending order, except that the transition after a GOTO can be at the same time as the GOTO.

A simpler syntax for constructing counted loops in digital stimulus is to use the REPEAT/ENDREPEAT construct. Specify the count value, for example:

```
REPEAT 3 TIMES
+ 5ns 0
+ 5ns 1
ENDREPEAT
```

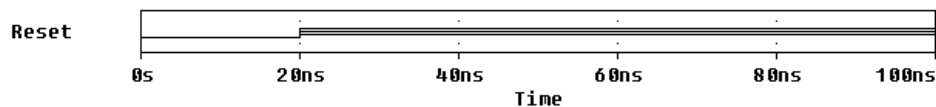
For an infinite loop, use REPEAT FOREVER (equivalent to REPEAT -1 TIMES). All times within REPEAT loops are interpreted as relative to the start of the loop.

Transition (i.e., time-value pairs) information can be placed in a FILE and accessed one or more times from the STIM device by using the FILE= statement. The syntax for the file contents is identical to what can appear directly in the body of the STIM device <command> section.

Stimulus generator examples

One The first example creates a simple reset signal, which could be used to set or clear a flip-flop at the beginning of a simulation. The node, named Reset, is set to a level zero at time zero nanoseconds, and to a Z (high impedance) at 20 ns.

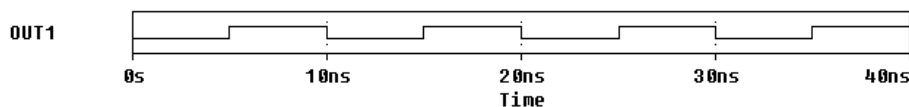
```
UReset STIM(1,1) $G_DPWR $G_DGND
+ Reset
+ IO_STM
+ 0s 0
+ 20ns Z
```



This is useful when the Reset node is being driven by another device which does not reset the flip-flop at time zero. By using the library I/O model named IO_STM, the stimulus generator drives with a high strength, and thus overpowers the other output. By outputting a Z for the duration of the simulation, the stimulus generator cannot affect the node.

Two The second example is a simple example of a clock stimulus which pulses every 5 nanoseconds. It has one output node, OUT1, and the format is represented in binary notation. This example specifies the time as relative to the previous step. IO_STM is an I/O model for stimulus devices and is available in the dig_io.lib library file which comes with the digital simulation feature.

```
UEx2 STIM( 1, 1 ) $G_DPWR $G_DGND Out1 IO_STM
+ 0s 0; At time=0 initialize Out1 ; to zero.
+ REPEAT FOREVER;repeats loop indefinitely
+ +5ns 1 ;5ns later Out1 is set to 1
+ +5ns 0 ;5ns later Out1 is set to 0
+ ENDREPEAT
```

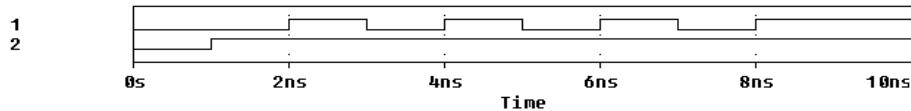


Three The third example illustrates the use of the timestep; a cycle is equal to one nanosecond:

```

UEX3 STIM( 2, 11 ) $G_DPWR $G_DGND 1 2
+ IO_STM Timestep=1ns
+ 0c 00 ;At time=0ns, both nodes are set to 0.
+ REPEAT 4 TIMES ;What's in the loop is repeated
;4 times
+ +1c 01 ;1ns later node 1 is set to 0
;and node 2 is set to 1.
+ +2c 11 ;2ns later both nodes set to 1.
+ ENDREPEAT

```



Four The fourth example has four output nodes. The values of the nodes at each transition are in hexadecimal notation. This is because the <format array> is set to 4, meaning <value> is one digit representing the value of four nodes. Both the absolute and relative timing methods are used, but, at the start of execution, the simulation converts all absolute values to relative values based on the time of the command and the current step size. The timestep is equal to one nanosecond, setting the cycle to one nanosecond:

```

UEX4 STIM( 4, 4 ) $G_DPWR $G_DGND IN1 IN2 IN3 IN4
+ IO_STM Timestep=1ns
+ 0s 0 ; At time=0 seconds, all nodes are set to 0.
+ LABEL=STARTLOOP
+ 10C 1 ; At time=10NS, IN1, IN2, & IN3 are set to 0 and IN4
;is set to 1.
+ +5NS 0 ; 5NS later, all nodes are set to 0.
+ 20NS A ; At time=20NS, nodes IN1 & IN3 are set to 1 and
;nodes IN2 &
; IN4 are to 0.
+ +5NS 0 ; 5NS later, all nodes are set to 0.
+ 30C GOTO STARTLOOP 1 TIMES ; At time=30NS, execute the
;first statement of the loop without
;a further delay. "1 TIMES" causes the logic to loop
; 1 time, actually executing the loop twice.
+ +10C 1 ; After the logic falls through the loop
;the second
; time and then waiting 10 additional cycles
; (or 10 nanoseconds),
;IN1, IN2, & IN3 are set to 0 and IN4 is set to 1.

```

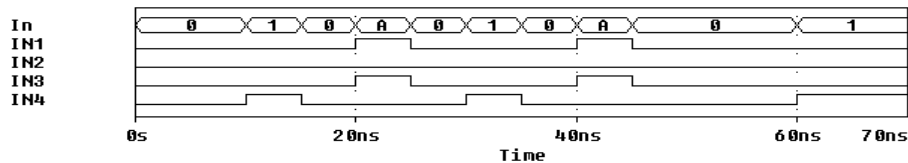

Example four produces the following transitions. Note how all of the time values are calculated relative to the previous step:

```

TIME      VALUE
0.00E+00 = 0000
1.00E-08 = 0001                ; STARTLOOP
1.50E-08 = 0000
2.00E-08 = 1010                ; 1010 in hex=A
2.50E-08 = 0000
3.00E-08 = 0001                ; The GOTO STARTLOOP 1 TIMES causes the
                                ;first statement
                                ; after the STARTLOOP label to be executed
                                ;immediately.

3.50E-08 = 0000
4.00E-08 = 1010
4.50E-08 = 0000                ; At time 5.00E-08 we checked the
                                ;GOTO STARTLOOP
                                ; 1 TIMES statement, but did not execute it
                                ; since it was already completed one time.

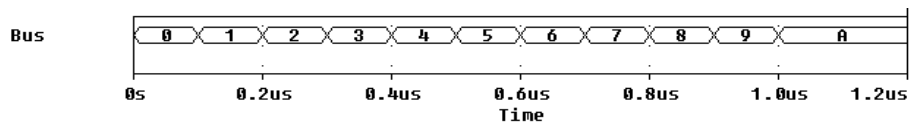
6.00E-08 = 0001                ;At 10C=1ns * 10=10ns later we
                                ;execute the
                                ;last statement.
    
```



Five The fifth example illustrates the use of the INCR BY command used to increment the value of the 16 bit bus:

```

UEx5 STIM ( 16, 4444 ) $G_DPWR $G_DGND
+ 16 15 14 13 12 11 10 9 8 7 6 5 4 3 2 1
+ IO_STM TIMESTEP = 10ns
+ 0s 0000                ; At time=0 seconds, all nodes are set to 0.
+ LABEL=STARTLOOP
+ 10c INCR BY 0001        ; At 100ns, increment bus by 1.
+ 20c GOTO STARTLOOP UNTIL GE 000A ; If the bus value
                                ;is less
                                ; than 10, branch back to STARTLOOP and
                                ; execute the line following the
                                ; label without a further delay.
    
```



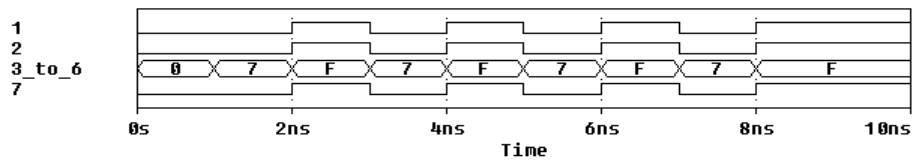
Six The sixth example has seven output nodes: 1, 2, 3, 4, 5, 6, and 7. The <format array> specifies the notation (1=binary, 3=octal, or 4=hex) used to define the output of those seven nodes. The first two output signals are defined in binary, the next four are in hexadecimal, and the last one is in binary.

In this example, at time equal to one nanosecond, the value of 0070 creates the bit pattern 0001110 on the output nodes. The first two zeros correspond to outputs one and two, the 0111 (7 in hex) corresponds to output signals 3 through 6, and the last zero is the value of output signal 7.

```

UEx6 STIM( 7, 1141 ) $G_DPWR $G_DGND 1 2 3 4 5 6 7 IO_STM
+ 0ns 0000 ; At time=0ns, all nodes are set to 0.
+ REPEAT 4 TIMES ; Repeats what's in loop 4 times.
+ +1ns 0070 ; At time=1ns, nodes 1, 2, & 3 are set to 0,
; nodes 4, 5, & 6 are set to 1,
; and node 7 is set to 0.
+ +2ns 11F1; At time=2ns, all nodes are set to 1.
+ ENDREPEAT

```



File stimulus

The file stimulus device, FSTIM, allows the digital stimuli to be obtained from a file. This is often useful if the number of stimuli is very large, or if the inputs to one simulation come from the output of another simulation (or even from another simulator). To make the discussion of the FSTIM device more meaningful, the stimulus file format is discussed first.

Stimulus file format

The stimulus file has a simple format which allows outputs from other simulators, or the simulation output file, to be used with little modification. The file consists of two sections: the header, which contains a list of signal names, and the transitions, which is one or more lines containing the transition time and columns of values. The header and transitions must be separated by at least one blank line. Below is a simple example of the stimulus file format.

```
* Header, containing signal names (standard comments are
* allowed)
Clock, Reset, In1, In2; four signal names

* Beginning of the transitions - note the blank line
0      0000                                ; values are in binary
10ns  1100
20ns  0101
30ns  1110
40ns  0111
```

Header format

```
[TIMESCALE=<value>]
<signame 1>...<signame n>...
OCT(<signame bit 3> ... <signame lsb>) ...
HEX(<signame bit 4> ... <signame lsb>) ...
```

The header consists of the list of signal names and an optional TIMESCALE value. The signal names can be separated by commas, spaces, or tabs. The list can span several lines, but must **not** include the + continuation character. The signal names listed correspond to the columns of values in the order that they are listed. Up to 255 signals can be listed in the header, however a maximum of 300 characters are allowed per line.

The OCT and HEX radix functions allows three or four signals to be grouped, respectively, into a single octal or hexadecimal digit in the columns of values. Note that exactly three signals must be included inside the parentheses in the OCT function, and that exactly four signals must be included in the HEX function. Signal names listed without the radix functions default to binary values.

The following example shows the use of the HEX radix function.

```
Clock Reset In1 In2
HEX(Addr7 Addr6 Addr5 Addr4) HEX(Addr3 Addr2 Addr1 Addr0)
ReadWrite

0      0000 00 0   ; spaces can be used to group values
10n  1100 4E 0
20n  0101 4E 1
30n  1110 4E 1
40n  0111 FF 0
```

In this example, there are four binary signals, followed by two occurrences of the HEX radix function, followed by a single binary signal. In the list of transitions following the header, there are seven values which correspond, in order, to the list of signals.

The optional TIMESCALE assignment is used to scale the time values in the transitions. The TIMESCALE assignment must be on a separate line. If unspecified, TIMESCALE defaults to 1.0. See <time> below for more information on the use of TIMESCALE.

Transition format

<time> <value>* Following the first blank line after the header, the simulator looks for one or more lines containing transitions. Transitions consist of a time value, followed by one or more values corresponding to the signal names in the header. The <time> and list of <values> must be separated by at least one space or tab.

<time> Transition times are always stated in seconds. Times can be absolute, such as 45ns, 1.2e-8, or 10; or relative to the previous time. To specify relative time, prefix the time using a +, such as +5ns or +1e-9.

Time values are always scaled by the value of TIMESCALE. This is useful if the time values in the file are expressed as whole numbers, but the actual units are, for example, 10ns. An example showing the use of TIMESCALE is given below.

<value>* Each value corresponds to a single binary signal (the default) or the entire group of signals inside the OCT or HEX radix functions. The number of values listed must equal the total number of binary signals and radix functions which are specified in the header. Valid <values> are:

	Binary	OCT	HEX
Logic/Numeric	0,1	0-7	0-F
Unknown	X	X	X
Hi-impedance	Z	Z	Z
Rising	R	R	
Falling	F	F	

When the <value> in a HEX or OCT column is a number, the simulator converts the number to binary and assigns the appropriate logic value of each bit (either zero or one) to the signals inside the radix function. The bits are assigned msb to lsb. When the <value> is X, Z, R, or F, all signals in the radix function take on that value. Note that there can be no falling value in a HEX column because F is used as a numeric value.

The following example shows the use of TIMESCALE and relative <time> values.

```
TIMESCALE=10ns           ; must appear on separate line
Clock, Reset, In1, In2
HEX(Addr7 Addr6 Addr5 Addr4) HEX(Addr3 Addr2 Addr1 Addr0)
ReadWrite
0 0000 00 0
1 110R 4E 0                ; transition occurs at 10ns
2 0101 4E 1
+ 3 1111 4E 1              ; transition occurs at 50ns
7 011F C3 0                ; transition occurs at 70ns
8 11X0 C3 1
```

File stimulus device

The file stimulus device, FSTIM, is used to access one or more signals inside a stimulus file. More than one FSTIM device can access the same file. An FSTIM device can even refer to the same signal as another FSTIM device. Any number of stimulus files can be used during a simulation.

Device format

```
U<name> FSTIM(<# outputs>)
+ <digital power node> <digital ground node>
+ <node>*
+ <I/O model name>
+ FILE=<stimulus file name>
+ [IO_LEVEL=<interface subckt select value>]
+ [SIGNAMES=<stimulus file signal name>*]
```

Examples

```
U1 FSTIM(1) $G_DPWR $G_DGND
+ IN1 IO_STM FILE=DIG1.STM

U2 FSTIM(4) $G_DPWR $G_DGND
+ ADDR3 ADDR2 ADDR1 ADDR0
+ IO_STM
+ FILE = DIG_2.STM
+ SIGNAMES = AD3 AD2 AD1 AD0

U3 FSTIM(4) $G_DPWR $G_DGND
+ CLK PRE J K
+ IO_STM
+ FILE = FLIPFLOP.STM
+ SIGNAMES = CLOCK PRESET
```

Arguments and options

<# outputs> Specifies the number of nodes driven by this device.

<digital power node> <digital ground node>

These nodes are used by the interface devices which connect analog nodes to digital nodes or vice versa. Refer to your PSpice user's guide for more information.

<node>*

One or more node names which are output by the file stimulus. The number of nodes specified must be the same as <# outputs>.

<I/O model name>

The name of an I/O model, which describes the driving characteristics of the stimulus device. I/O models also contain the names of up to four DtoA interface subcircuits, which are automatically called by the simulator to handle interface nodes. In most cases, the I/O model named IO_STM can be used from the library `dig_io.lib`. Refer to your PSpice user's guide for a more detailed description of I/O models.

FILE

The name of the stimulus file to be accessed by this device. The <stimulus file name> can be specified as a quoted string or as a text expression; see [.TEXT \(text parameter\)](#). Note that the FILE device parameter is not optional.

IO_LEVEL

An optional device parameter which selects one of the four AtoD or DtoA interface subcircuits from the device's I/O model. The simulator calls the selected subcircuit automatically in the event a node connecting to the primitive also connects to an analog device. If not specified, IO_LEVEL defaults to 0. Valid values are:

0 = the current value of .OPTIONS DIGIOLVL (default=1)

1 = AtoD1/DtoA1

2 = AtoD2/DtoA2

3 = AtoD3/DtoA3

4 = AtoD4/DtoA4

Refer to your PSpice user's guide for more information.

SIGNAMES

Used to specify the names of the signals inside the stimulus file which are to be referenced by the FSTIM device. The signal names correspond, in order, to the <nodes> connected to the device. If any or all SIGNAMES are unspecified, The simulator looks in the stimulus file for the names of the <nodes> given. Because the number of signal names can vary, the SIGNAMES parameter must be specified last. SIGNAMES can be a list of names or text expressions (see [.TEXT](#)), or a mixture of the two.

Comments

The first example references a file named `dig1.stm`. This file must have a signal named `IN1`. The second example references `dig2.stm`. This file would have to have signals named `AD3` through `AD0`. These are mapped, in order, to the nodes `ADDR3` through `ADDR0`, which are driven by this device.

In the third example, the `FSTIM` device references the file `flipflop.stm`.

The contents of `flipflop.stm` are shown below:

```
J K PRESET CLEAR CLOCK
```

```
0    0 0 010
```

```
10ns 0 0 111
```

```
.
```

```
.
```

```
.
```

In this example, the first two nodes, `CLK` and `PRE`, reference the signals named `CLOCK` and `PRESET` in the stimulus file. The last two nodes, `J` and `K`, directly reference the signals named `J` and `K` in the file, and therefore do not need to be listed in `SIGNAMES`. Note that the order of the `SIGNAMES` on the `FSTIM` device does not need to match the order of the names listed in the header of the stimulus file. It is not required that every signal in the file be referenced by an `FSTIM` device. In the example above, the signal named `CLEAR` is not referenced. One, several, or all signals in a stimulus file can be referenced by one or more `FSTIM` devices.



Input/output model

Each digital device in the circuit must reference an I/O model. The I/O model describes the device's loading and driving characteristics. It also contains the names of up to four AtoD and DtoA subcircuits that the simulator calls to handle interface nodes.

I/O models are common to device families. For example, of the digital devices in the model library, there are only four I/O Models for the entire 74LS family: IO_LS, for standard inputs and outputs; IO_LS_OC, for standard inputs and open-collector outputs; IO_LS_ST, for schmitt trigger inputs and standard outputs; and IO_LS_OC_ST, for schmitt trigger inputs and open-collector outputs. This is in contrast to timing models, which are unique to each device in the library.

Model form `.MODEL <I/O model name> UIO [model parameters]`

Input/output model parameters

Model Parameter	Description	Units	Default
AtoD1	Name of level 1 AtoD interface subcircuit		AtoDDefault
AtoD2	Name of level 2 AtoD interface subcircuit		AtoDDefault
AtoD3	Name of level 3 AtoD interface subcircuit		AtoDDefault
AtoD4	Name of level 4 AtoD interface subcircuit		AtoDDefault
DIGPOWER	Name of power supply subcircuit		DIGIFPWR
DRVH	Output high level resistance	ohm	50
DRVL	Output low level resistance	ohm	50
DRVZ	Output Z-state leakage resistance	ohm	250 Kohm
DtoA1	Name of level 1 DtoA interface subcircuit		DtoADefault
DtoA2	Name of level 2 DtoA interface subcircuit		DtoADefault
DtoA3	Name of level 3 DtoA interface subcircuit		DtoADefault
DtoA4	Name of level 4 DtoA interface subcircuit		DtoADefault
INLD	Input load capacitance	farad	0
INR	Input leakage resistance	ohm	30 Kohm
OUTLD	Output load capacitance	farad	0
TPWRT	Pulse width rejection threshold	sec	same as propagation delay
TSTOREMN	Minimum storage time for net to be simulated as a charge	sec	1.0 msec
TSWHL1	Switching time high to low for DtoA1	sec	0
TSWHL2	Switching time high to low for DtoA2	sec	0
TSWHL3	Switching time high to low for DtoA3	sec	0

Input/output model parameters (continued)

Model Parameter	Description	Units	Default
TSWHL4	Switching time high to low for DtoA4	sec	0
TSWLH1	Switching time low to high for DtoA1	sec	0
TSWLH2	Switching time low to high for DtoA2	sec	0
TSWLH3	Switching time low to high for DtoA3	sec	0
TSWLH4	Switching time low to high for DtoA4	sec	0

INLD and OUTLD are used in the calculation of loading capacitance, which factors into the propagation delay. Refer to your PSpice user's guide for more information.

DRVH and DRVL are used to determine the strength of the output. Refer to your PSpice user's guide for more information.

DRVZ, INR, and TSTOREMN are used to determine which nets should be simulated as charge storage nets.

AtoD1 through AtoD4 and DtoA1 through DtoA4 are used to hold the names of interface subcircuits. Note that INLD and AtoD1 through AtoD4 do not apply to stimulus generators because they have no input nodes. Refer to your PSpice user's guide for more information.

The switching times (TSWLHn and TSWHLn) are subtracted from a device's propagation delay on the outputs which connect to interface nodes. This compensates for the time it takes the DtoA device to change its output voltage from its current level to that of the switching threshold. By subtracting the switching time from the propagation delay, the analog signal reaches the switching threshold at the correct time (that is, at the exact time of the digital transition). The values for these model parameters should be obtained by measuring the time it takes the analog output of the DtoA (using a nominal analog load attached) to change to the switching threshold after its digital input changes. If the switching time is larger than the propagation delay for an output, no warning is issued, and a delay of zero is used. Note that the switching time parameters are not used when the output drives a digital node.

DIGPOWER specifies the name of the power supply subcircuit the simulator calls for when an AtoD or DtoA interface is created. The default value is DIGIFPWR, which is the power supply subcircuit used by the TTL and CMOS device libraries.

For more information on how to change the default power supplies, refer to your PSpice user's guide.

Digital/analog interface devices

The simulator provides two devices for converting digital logic levels to analog voltages or vice versa. These devices are at the heart of the interface subcircuits found in `dig_io.lib`. These devices also provide the Digital Files interface for interfacing using external logic simulators.

Digital input (N device)

The digital input device is used to translate logic levels (typically 1s, 0s, Xs, Zs, Rs, and Fs) into representative voltage levels using series resistances. These voltages and resistances model the output stage of a logic device (like a 74LS04) and hence form a digital input to the analog circuit. The logic level information can come from two places: the digital simulator or a file. (The file can be created by hand, or can be an output file from an external logic simulator.)

The general form for a digital input device, and some of the model parameters, are different for devices driven from a file and for those driven by the digital simulation feature. The digital simulation inserts digital input devices automatically when a digital device's output is connected to an analog component. The automatic insertion of digital input devices is discussed in your PSpice user's guide. Examples of the devices that are inserted can be found in the `dig_io.lib` library file.

General form for digital simulation

```
N<name> <interface node> <low level node> <high level node>
+ <model name>
+ DGTNET = <digital net name>
+ <digital I/O model name>
+ [IS = initial state]
```

for digital files

```
N<name> <interface node> <low level node> <high level node>
+ <model name>
+ [SIGNAME = <digital signal name>]
+ [IS = initial state]
```

Examples

```
N1 ANALOG DIGITAL_GND DIGITAL_PWR DIN74
+ DGTNET=DIGITAL_NODE IO_STD
NRESET 7 15 16 FROM_TTL
N12 18 0 100 FROM_CMOS SIGNAME=VCO_GATE IS=0
```

Model form

```
.MODEL <model name> DINPUT [model parameters]
```

Digital input model parameters

Model parameters *	Description	Units	Default
CHI	capacitance to high level node	farad	0
CLO	capacitance to low level node	farad	0
FILE	digital input file name (digital files only)		
FORMAT	digital input file format (digital files only)		1
S0NAME	state 0 character abbreviation		
S0TSW	state 0 switching time	sec	
S0RLO	state 0 resistance to low level node	ohm	
S0RHI	state 0 resistance to high level node	ohm	
S1NAME	state 1 character abbreviation		
S1TSW	state 1 switching time	sec	
S1RLO	state 1 resistance to low level node	ohm	
S1RHI	state 1 resistance to high level node	ohm	
S2NAME	state 2 character abbreviation		
S2TSW	state 2 switching time	sec	
S2RLO	state 2 resistance to low level node	ohm	
S2RHI	state 2 resistance to high level node	ohm	
.	.		
.	.		
.	.		
S19NAME	state 19 character abbreviation		
S19TSW	state 19 switching time	sec	
S19RLO	state 19 resistance to low level node	ohm	
S19RHI	state 19 resistance to high level node	ohm	
TIMESTEP	digital input file step-size (digital files only)	sec	1E-91

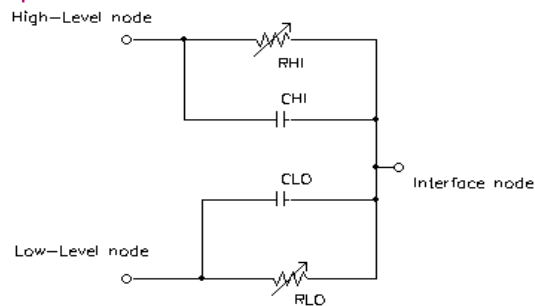
* See [MODEL \(model definition\)](#).



For more information on using the digital input device to simulate mixed analog/digital systems refer to your PSpice user's guide.

As shown below, the digital input device is modeled as a time varying resistor from <low level node> to <interface node>, and another time varying resistor from <high level node> to <interface node>. Each of these resistors has an optional fixed value capacitor in parallel: CLO and CHI. When the state of the digital signal changes, the values of the resistors change (exponentially) from their present values to the values specified for the new state over the switching time specified by the new state. Normally the low and high level nodes would be attached to voltage sources which would correspond to the highest and lowest logic levels. (Using two resistors and two voltage levels, any voltage between the two levels can be created at any impedance).

Digital Input Model



For a digital simulation driven digital input, the parameters

DGTLNET = <digital net name> <digital I/O model name>

must be specified. Refer to your PSpice user's guide for more information on digital I/O models. The digital net must not be connected to any analog devices, otherwise the automatic analog/digital interface process disconnects the digital input device from the digital net.

Digital simulation can send states named 0, 1, X, R, F, and Z to a digital input device. The simulation stops if the digital simulation sends a state which is not modeled (does not have SnNAME, SnTSW, SnRLO, and SnRHI specified) to a digital input device.

The initial state of a digital simulation driven digital input is controlled by the bias point solution of the analog/digital system. It is sometimes necessary to override this solution (for example, an oscillator which contains both analog and digital parts). The optional parameter

IS = <initial state name>

can be used to do this. The digital input remains in the initial state until the digital simulation value changes from its TIME=0 value.

The model parameters FILE, FORMAT, and TIMESTEP are not used by digital simulation driven digital input devices, and only the FILE parameter is used for VIEWsim A/D driven digital inputs. For file driven digital inputs the FILE parameter defines the name of the file to be read, and the FORMAT parameter defines the format of the data in that file. The TIMESTEP parameter defines the conversion between the digital simulation's integer timing tick numbers and the simulation's floating-point time values:

tick number · TIMESTEP = seconds



Tick number must be an integer.

For a file driven or VIEWsim A/D driven digital input, the DGTLNET parameter must not be specified, but the optional parameter

```
SIGNAME = <digital signal name>
```

is used to specify the name of the digital signal in the file (or the digital net name in VIEWsim A/D). If no SIGNAME is given, then the portion of the device name after the leading N identifies the name of the digital signal.

The parameter

```
IS=<initial state name>
```

can be used as described above to override the initial (TIME=0) values from the file.

The file name DGTLPSPC is used with VIEWsim A/D to tell the simulator to get digital state values from the VIEWsim A/D interface, rather than a file.

Any number of digital input models can be specified, and both file driven and digital simulation driven digital inputs can be used in the same circuit. Different digital input models can reference the same file, or different files. If the models reference the same file, the file must be specified in the same way, or unpredictable results occur. For example, if the default drive is C:, then one model should not have FILE=C:TEST.DAT if another has FILE=TEST.DAT.

For diagnostic purposes, the state of the digital input can be viewed in Probe by specifying B(Nxxx). The value of B(Nxxx) is 0.0 if the current state is S0NAME, 1.0 if the current state is S1NAME, and so on through 19.0. B(Nxxx) cannot be specified on a .PRINT, .PLOT, or .PROBE line. (For digital simulation, the digital window of Probe provides a better way to look at the state of the digital net connected to the digital input.)



Digital output (O Device)

The digital output device is used to translate analog voltages into digital logic levels (typically 1, 0, X, R, or F). The conversion of a voltage into a logic level, models the input stage of a logic device (like a 74LS04) and hence forms a digital output from the analog circuit. The logic level information can go to two places: the digital simulation, or a file. (The file can simply be inspected manually, or can be used as a stimulus file for an external logic simulator.)

General form for digital simulation

```
O<name> <interface node> <reference node> <model name>
+ DGTNET = <digital net name> <digital I/O model name>
```

for digital files

```
O<name> <interface node> <reference node> <model name>
+ [SIGNAME = <digital signal name>]
```

Model form

```
.MODEL <model name> DOUTPUT [model parameters]
```

Examples

```
O12 ANALOG_NODE DIGITAL_GND D074 DGTNET=DIGITAL_NODE IO_STD
OVCO 17 0 TO_TTL
O5 22 100 TO_CMOS SIGNAME=VCO_OUT
```

Digital output model parameters

Model parameters *	Description	Units	Default
CHGONLY	0: write each timestep, 1: write upon change		0
CLOAD	output capacitor	farad	0
FILE	digital input file name (digital files only)		
FORMAT	digital input file format (digital files only)		1
RLOAD	output resistor	ohm	1/GMIN
S0NAME	state 0 character abbreviation		
S0VLO	state 0 low level voltage	volt	
S0VHI	state 0 high level voltage	volt	
S1NAME	state 1 character abbreviation		
S1VLO	state 1 low level voltage	volt	
S1VHI	state 1 high level voltage	volt	
S2NAME	state 2 character abbreviation		
S2VLO	state 2 low level voltage	volt	
S2VHI	state 2 high level voltage	volt	
S19NAME	state 19 character abbreviation		
S19VLO	state 19 low level voltage	volt	
S19VHI	state 19 high level voltage	volt	

Digital output model parameters (continued)

Model parameters *	Description	Units	Default
SXNAME	state applied when the interface node voltage falls outside all ranges		“?”
TIMESTEP	digital input file step-size	sec	1E-9
TIMESCALE	scale factor for timestep (digital files only)		1

* See [MODEL \(model definition\)](#).

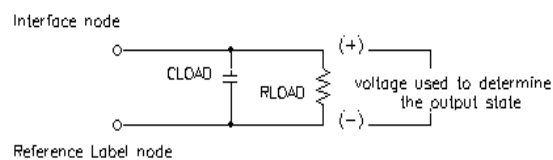
The general form for a digital output device, and some of the model parameters, are different for devices that drive a file (or VIEWsim A/D) and those that drive the digital simulation feature. The digital simulation inserts digital output devices automatically when a digital device's input is connected to an analog component. The automatic insertion of digital output devices is discussed in your PSpice user's guide, and examples of the devices which are inserted can be found in the `dig_io.lib` library file.



For more information on using the digital output device to simulate mixed analog/digital systems, refer to your PSpice user's guide.

As shown in Figure , the digital output device is modeled as a resistor and capacitor, of the values specified in the model statement, connected between <interface node> and <reference node>. At times which are integer multiples of TIMESTEP, the state of the device node is determined and written to the specified file.

Digital output model



The process of converting the input node voltage to a logic state begins by first obtaining the difference in voltage between the <interface node> and the <reference node>. The DOUTPUT model defines a voltage range, from $SxVLO$ to $SxVHI$, for each state. If the input voltage is within the range defined for the current state, no state change occurs. Otherwise, the simulator searches forward through the model, starting at the current state, to find the next state whose voltage range contains the input voltage. This state then becomes the new state. When the end of the list (S19) is reached, the simulator wraps around to S0 and continues.

If the entire model has been searched and no valid voltage range has been found, the simulator generates a simulation warning message. Further if the O device is interfacing at the digital simulator, and the SXNAME parameter has not been specified in the model, the simulator uses the state whose voltage range is closed to the input voltage. Otherwise it uses SXNAME as the new state.

This circular state searching mechanism allows hysteresis to be modeled directly. The following model statement models the input thresholds of a 7400 series TTL Schmitt-trigger input. Notice that the 0.8 volt overlap between the 0 state voltage range and the 1 state voltage range.

```
.model D074_STd output (
+s0name="0"      s0vlo=1.5      s0vhi=1.7
+s1name="1"      s1vlo=0.9      s1vhi=7.0
+)
```

Starting from the 0 state, a positive-going voltage must cross 1.7 volts to get out of the 0 state's voltage range. The next state which contains that voltage is 1. Once there, a negative-going voltage must go below 0.9 volts to leave the 1 state's range. Since no further states are defined, the simulator wraps around back to state 0, which contains the new voltage

For a digital output driving digital simulation, the parameters

```
DGTLNET = <digital net name> <digital I/O model name>
```

must be specified. Refer to your PSpice user's guide for more information on digital I/O models. The digital net must not be connected to any analog devices, otherwise the automatic analog/digital interface process disconnects the digital output device from the analog net.

For interfacing using digital simulation, the state names must be 0, 1, X, R, F, or Z (Z is usually not used however, since high impedance is not a voltage level). Other state names cause the simulator to stop if they occur; this includes the state ? that occurs if the voltage is outside all the ranges specified.

The model parameters TIMESCALE, FILE, CHGONLY, and FORMAT are not used for digital outputs which drive digital simulation, but the TIMESTEP is used. The TIMESTEP value controls how accurately the analog simulator tries to determine the exact time at which the node voltage crosses a threshold.

To be sure that the transition time is accurately determined, the analog simulator has to evaluate the analog circuit at intervals no larger than TIMESTEP when a transition is about to occur. The default value for TIMESTEP is 1ns, or 1/DIGFREQ (a [.OPTIONS \(analysis options\)](#) option) if it is larger. In many circuits, this is a much greater timing resolution than is required, and some analog simulation time can be saved by increasing the TIMESTEP value.

For digital outputs which write files, or drive VIEWsim A/D, the parameter

```
SIGNAME = <digital signal name>
```

can be used to specify the name written to the file of the digital signal (or for VIEWsim A/D, the name of the VIEWsim net). If SIGNAME is not specified, then the portion of the device name after the leading O identifies the name of the digital signal.

For digital outputs which write files, the FILE parameter defines the name of the file to be written, and the FORMAT parameter defines the format of the data written to that file.

The file name PSPCDGTL is used with VIEWsim A/D to tell the simulator to send the digital state values to the VIEWsim A/D interface, rather than a file. For VIEWsim A/D, the parameters FORMAT and CHGONLY are ignored.

The state of each device is written to the output file at times which are integer multiples of `TIMESTEP`. The time that is written is the integer:

$$\text{time} = \text{TIMESCALE} \cdot \text{TIME} / \text{TIMESTEP}$$

`TIMESCALE` defaults to 1, but if digital simulation is using a very small timestep compared to the analog simulation timestep, it can speed up the simulation to increase the value of both `TIMESTEP` and `TIMESCALE`. This is because the simulator must take timesteps no greater than the digital `TIMESTEP` size when a digital output is about to change, in order to accurately determine the exact time that the state changes. The value of `TIMESTEP` should therefore be the time resolution required at the analog-digital interface. The value of `TIMESCALE` is then used to adjust the output time to be in the same units as digital simulation uses.

For example, if a digital simulation using a timestep of 100 ps is being run, but the circuit has a clock rate of 1us, setting `TIMESTEP` to 0.1us should provide enough resolution. Setting `TIMESCALE` to 1000 scales the output time to be in 100 ps units.

If `CHGONLY = 1`, only those timesteps in which a digital output state changes are written to the file.

Any number of digital output models can be specified, and both file writing and digital simulation driving digital outputs can be used in the same circuit. Different digital output models can reference the same file, or different files. If the models reference the same file, the file must be specified in the same way, or unpredictable results occur. For example, if the default drive is C:, then one model should not have `FILE=C:TEST.DAT` if another has `FILE=TEST.DAT`.

For diagnostic purposes, the state of the digital output can be viewed in Probe by specifying `B(Oxxx)`. The value of `B(Oxxx)` is 0.0 if the current state is `S0NAME`, 1.0 if the current state is `S1NAME`, and so on through 19.0. `B(Oxxx)` cannot be specified on a `.PRINT`, `.PLOT`, or `.PROBE` line. (For digital simulation, the digital window of Probe provides a better way to look at the state of the digital net connected to the digital output.)



Digital model libraries

File	Contents
7400.LIB	7400-series TTL
74AC.LIB	Advanced CMOS
74ACT.LIB	TTL-compatible, Advanced CMOS
75ALS.LIB	Advanced Low-Power Schottky TTL
74AS.LIB	Advanced Schottky TTL
74F.LIB	FAST
74H.LIB	High-Speed TTL
74HCT.LIB	TTL-compatible, High-Speed CMOS
74HC.LIB	High-Speed CMOS
74L.LIB	Low-Power TTL
74LS.LIB	Low-Power Schottky TTL
74S.LIB	Schottky TTL
CD4000.LIB	CD4000 devices
DIG_ECL.LIB	10 K and 100K ECL devices
DIG_GAL.LIB	GAL devices
DIG_IO.LIB	I/O models, AtoD and DtoA interface subcircuits, digital power supply subcircuits
DIG_MISC.LIB	pull-up/down resistors, delay line
DIG_PAL.LIB	PAL devices
DIG_PRIM.LIB	Digital primitives
NOM.LIB	master library: which references NOM_DIG.LIB,* which references each of the above libraries.

*Depending upon the platform being worked on, NOM.LIB references the appropriate list of libraries. For “digital only” platforms, NOM.LIB references NOM_DIG.LIB.

7400-series TTL and CMOS library files

The online Library Reference List shows, by part type and technology, each item in the library and gives the order of the pins for that function. This information is needed if a netlist is created manually. Netlists normally are generated automatically by the schematic capture package.

4000-series CMOS library

The online Library Reference List shows, by part type and technology, each item in the library and gives the order of the pins for that function. This information is needed if a netlist is created manually. Netlists normally are generated automatically by the schematic capture package.

If power supply nodes on CD4000 devices are not specified in the circuit, they can use the default power supply nodes \$G_CD4000_VDD and \$G_CD4000_VSS, which default to 5 volts. A new power supply can be created, and new power supply nodes can be specified to the devices in the circuit. Refer to your PSpice user's guide for more information on specifying your own power supplies. Output drives and input thresholds are correctly modeled for power supplies between 3 and 18 volts. Currently, propagation delays do not vary using supply voltages. For correct propagation delays at supply voltages other than 5 volts, the timing models in `cd4000.lib` have to be modified.



Programmable array logic devices

Using a PLD from the library is just like using any other logic device from the library, except that the simulator has to be told the name of the JEDEC file which contains the program for the part. A TEXT parameter name JEDEC_FILE is used to specify the file name, as shown in the following example:

```
X1 IN1 IN2 IN3 IN4 IN5 IN6 IN7 IN8 IN9 IN10 IN11 IN12
+ IN13 IN14
+ OUT1 OUT2 OUT3 OUT4
+ PAL14H4
+ TEXT: JEDEC_FILE = "myprog.jed"
```

This example creates a 14H4 PAL which is programmed by the JEDEC file `myprog.jed`.

Customizing device equations

[Introduction to Device Equations](#)

[Specifying new internal device structure](#)

[Making device model changes](#)

[Recompiling and linking the Device Equations option](#)

[Changing the device equations](#)

New! [Simulating with the Device Equations option](#)

[Adding a new device](#)



Commands



Analog devices



Digital devices

[Index](#)

[Glossary](#)



Introduction to Device Equations

The purpose of the Device Equations option is to change the built-in model equations for one or more of the semiconductor devices ([GaAsFET](#), [Diode](#), [Junction FET](#), [MOSFET](#), and [Bipolar transistor](#)). This means you can extend PSpice to support user-defined or proprietary native device models.

This option is not an addition to PSpice: it is a different packaging of the program that includes the source code for the device model subroutines. You need a Device Equations license to modify and extend PSpice code, but you do not need a Device Equations license to use the modified code.

There are several kinds of changes that can be made using the Device Equations option. These include, in ascending order of complexity:

- [Changing a parameter name](#)
- [Giving a parameter an alias](#)
- [Adding a parameter](#)
- [Changing the device equations](#)
- [Adding a new device](#)
- [Specifying new internal device structure](#)

You need a supported C++ compiler to compile Device Equations extensions; for Windows 95/98 and NT, you need Microsoft Visual C++ 32-bit Compiler 4.2 or later.

Device Equations extensions are implemented using a dynamic-link library, which means you can share your models with other users by distributing just a DLL.

If you want to run PSpice on Windows 95 or NT with a Device Equations DLL developed by someone else, then you do not need a compiler or a Device Equations license. Just copy the DLL into the directory with your PSpice program file. For more information, see [Simulating with the Device Equations option](#).

Making device model changes

To get started, look at the files `M.H` and `MOS.C`, which implement the MOSFET equations. The other devices have similar structures.

`M.H` contains two important data structure definitions:

- the structure for the MOS transistor (`struct m_`)
- the structure for the MOS model (`struct M_`)

During read-in, the simulator creates a copy of the transistor structure for every MOSFET in the circuit and a copy of the model structure for every `.MODEL` statement of type NMOS or PMOS. The transistor structure is set up using information particular to that transistor, such as the nodes to which it is connected, its length and width, and the locations of its entries in the circuit's conductance matrix. All parameters of the model structure are set up using the values from the `.MODEL` statement, if one exists; otherwise, the default values are used.

The transistor structure corresponds to the LOC, LOCV, and LX tables in U.C. Berkeley SPICE2. The model structure corresponds to the LOC and LOCM tables in SPICE.



Do not change the transistor structure (`struct_m`), except when changing the internal device topology. It is included only to allow compiling of `MOS.C`.

The simulator needs to associate each entry in the model structure with a model parameter name (and default value) in the `.MODEL` statement. You can accomplish this by using the `ASSOCIATE` macro. Just below the model structure in `M.H` there is a list of all the parameters, each in an `ASSOCIATE` macro. The occurrence of `ASSOCIATE` binds together the structure entry, the parameter name, and the default value. The read-in section of the simulator uses this information to parse the `.MODEL` statement.

Changing a parameter name

This is the easiest change. Find the parameter in the list of ASSOCIATE macros. Change the parameter's name (last item on the line) and/or the default value (middle item). The names and defaults of the model parameters that are supplied can be changed, as well as those parameters that are added.

When the simulator runs, it prints the parameter values for each .MODEL statement unless the NOMOD option is used in the .OPTIONS statement. Normally only parameters which have not been defaulted are listed. A parameter can be forced to be listed, whether or not it has been defaulted, by preceding its name using an asterisk (*). For example, VTO is listed that way in M.H.

Giving a parameter an alias

Sometimes a parameter requires an alternate name (an alias). Several bipolar model parameters, such as ISE, already have alternate names. The alias for ISE is C2. Look in Q.H at the occurrences of the parameters ISE and C2 in the ASSOCIATE macros for an example of how this is accomplished. There is only one entry in the model structure (Q_ise) for the parameter, but there are two ASSOCIATE entries. This means that either name (ISE or C2) on the .MODEL statement can put a number into the structure entry Q_ise.



When model parameters are listed, the first name found in the ASSOCIATE list (searching downward) is the name which is echoed on the output.

Insert the new name first if it is the name to be printed.

Adding a parameter

Adding a parameter is probably the most common case. The parameter must be added to both the model structure (e.g., struct M_) and the corresponding ASSOCIATE list. It is recommended to follow the Orcad naming convention (e.g., M_wd and M_vto), but it is not required.

Model parameters are set forth as pairs of elements instead of simple floating point values. This is to provide the use of expressions for model parameters. Because of this, when adding a parameter (for example, M_new), the following line is required:

```
MXPR( M_new, Mx_new );
```

instead of

```
float M_new;
```



Do not modify the value of the Mx_new structure element.

The read-in mechanism can handle expressions for user-added parameters. By the time the model code is called, the expressions have been evaluated and their value placed in the appropriate fields. See the include file m.h for further examples and comments.

When the simulator is doing a read-in, model parameters are listed for each `.MODEL` statement (unless `NOMOD` has been specified on the `.OPTIONS` statement). Normally, only those parameters that have not been defaulted are listed. A parameter can be forced to be listed, even if it has been defaulted, by preceding its name using an asterisk (*) in the `ASSOCIATE` macro. For instance, `VT0` in `M.H` is listed in that manner.

The default value, `OMITTED`, is used by the simulator to force the calculation of a parameter's value during read-in. For instance, `VT0` is calculated from other values if it is not given a value. These calculations are built into the read-in and are fixed. Orcad recommends that parameters that you add be given a normal default value and not be computed by using `OMITTED`.

Once the parameter has been added, the model structure becomes one parameter longer, and the read-in section of PSpice places a value in its entry. The parameter can now be used in the device code (e.g., `MOS.C`).

Changing the device equations

The device equations are in the file that has the same name as the type of device (`DIODE.C`, `BJT.C`, `JFET.C`, `MOS.C`, `GASFET.C`). The code in these subroutines use the model parameters and the device's terminal voltages to calculate the branch currents and conductances, and, during transient analysis, the terminal charges and branch capacitances. These equations are neither simple nor easy. A good understanding of U.C. Berkeley's `SPICE2G` is recommended before making such a change. Two useful references are:

[1] L. W. Nagel, [SPICE2: A Computer Program to Simulate Semiconductor Circuits](#), Memorandum No. M520, May 1975.

[2] Ellis Cohen, [Program Reference for SPICE2](#), Memorandum No. M592, June 1976.

which are available from:

Software Distribution Office
EECS/ERL Industrial Liaison Program
205 Cory Hall #1770
University of California
Berkeley, CA 94720-1770
(510) 643-6687

Functional subsections of the device source file

The code in each of the device source files is arranged into separate functional subsections. Each subsection occurs at least once, but can occur several times for devices that have more than one level. The subsections required are outlined below.

Subsection	Description
Initialization	This consists of locating and binding the device instance and its model, initializing any local variables, and obtaining appropriate values for the device branch voltages. The branch voltages (e.g., vds, vgs) are set differently depending upon whether there are user-specified initial conditions (using IC= or .IC), and on whether the present Newton Raphson cycle has finished or not.
Computing new nonlinear branch voltage:	This is needed to monitor progress towards a Newton Raphson solution.
Test if the solution has changed:	If there is not significant change bypass the rest of the computation. Otherwise, continue.
Limit any nonlinear branch voltages:	This code uses the macro PNJLIM() to insure that the branch voltages are in the appropriate operating region.
Compute currents and conductances:	This is the meat of the Device Equations code, and involves obtaining all the branch currents (e.g., ibs, ibd) as well as all the derivatives to be used in the conductance matrix.
Charge calculations:	Internal charges are calculated and updated.
Check convergence:	Check to see if the nonlinear device branches now have values that are within a small tolerance range of those obtained in the last repeat cycle, and set a return flag to signal whether the device converged.
Load the current vector and conductance matrix:	The macro Y_MATRIX () is used to obtain handles to the proper matrix elements, and the elements are assigned their values based on the present evaluation of the device equations and derivatives.

SPICE2G is written in FORTRAN, whereas PSpice is in C. For the device subroutines, as much correspondence as possible has been maintained between the two. Because of FORTRAN, SPICE kept integer and real numbers in different tables: NODPLC (indexed by LOC) and VALUE (indexed by LOCV or LOCM). In PSpice, these have been combined into one structure (e.g., struct m_).

The state vector information is constructed somewhat differently, though the overall pattern is similar. In SPICE the state vector information is kept in a set of vectors in VALUE. There is one vector for each time point “remembered” (from 4 to 7, depending on the order of the integration method). Each device’s LOC table contains an offset, LX, to its portion of the information in each state vector. In PSpice the number of state vectors is fixed, and each device’s state information is kept in its own device structure (e.g., struct m_).

For example, for MOSFETs the state vectors are an array, struct msv_def m_sv[MSTVCT] in struct m_. MSTVCT is the number of state vectors and is defined in TRAN.H to be equal to 4. The definition of msv_def (also in M.H) lists the various currents, conductances, charges, and capacitances that are in the state vector. Finally, M.H contains a set of #defines, which allows accessing of the entries to the state vectors by name. It is these (uppercase) names

which are then used in `MOS.C`. This may seem like a roundabout way of constructing the state vector information, but the actual usage (in `MOS.C`) is quite straightforward and is similar to that in `SPICE`.

Adding a new device

The Device Equations option does not allow the addition of an entirely new device. However, in many cases the same thing can be achieved by making use of an existing device.

Suppose, for example, that a lightning arrester device is to be added. The lightning arrester has two terminals, therefore it can be built into the diode equations, because the diode also has two terminals. This means that in the circuit (`.CIR`) file the lightning arresters would use the letter `D` to start and would refer to a `.MODEL` statement of the type `D`.

At first glance it appears that this would preclude using diodes in circuits, since they have been replaced by lightning arresters. This problem is avoided by keeping all the diode model parameters, adding the lightning arrester parameters, adding a `LEVEL` parameter, and giving the `LEVEL` parameter a default of 1. In the diode subroutine (in `DIODE.C`), a large if test would select all the old diode code if `LEVEL=1` and all the new lightning arrester code otherwise. The new `LEVEL` parameter would switch between diode and lightning arrester.

This approach can be extended to as many devices as wanted. This could be:

- `LEVEL=1` as a diode
- `LEVEL=2` as a lightning arrester
- `LEVEL=3` as a gas discharge tube

And so on. The restriction is that all of the devices added to the diode must have two terminals. If the device to be added has three terminals, it must be built into a three terminal device, such as the `JFET`. The highest number of terminals that can be modeled is four, using the `MOSFET`. There is not a good way to add devices, such as pentodes, that have five or more terminals.

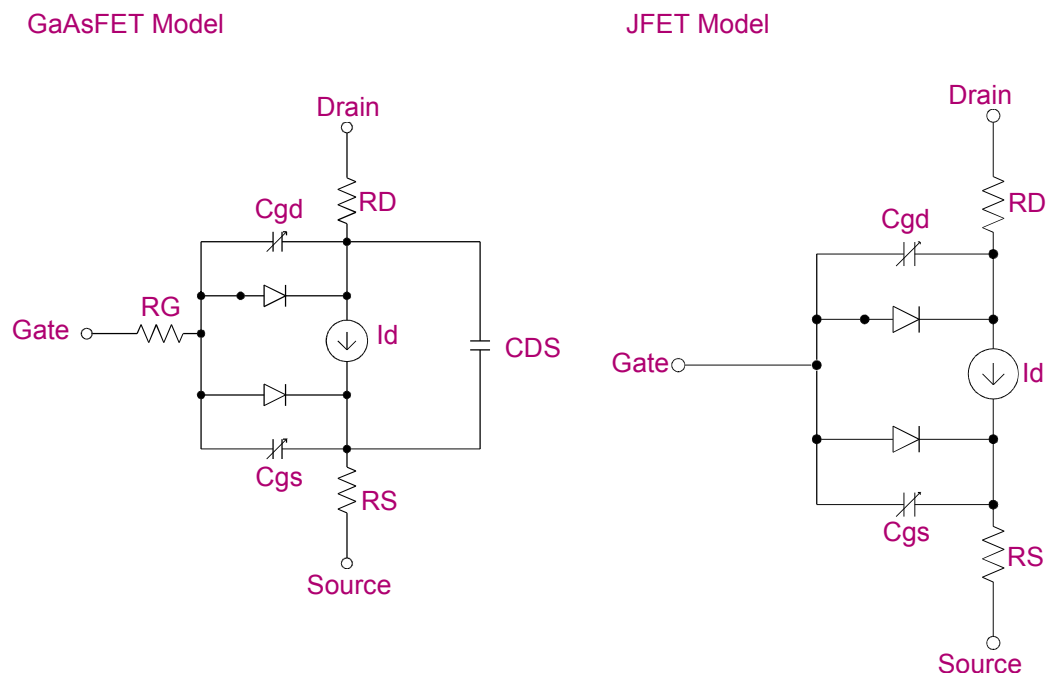
Specifying new internal device structure

You may want to change the topology of a device in order to accommodate a more elaborate set of parasitic resistances and/or capacitances. To do this requires that positions in the conductance matrix be assigned to include the terms that the additional equations generate. This requires five steps:

- 1 Ensuring that all of the new internal nodes and matrix conductance terms are added to the device structure in the device header file
- 2 Allocating the new matrix elements
- 3 Providing handles to access the new matrix elements and to bind the nodes to the branches
- 4 Including logic, if needed, to support device model parameter checking and updating
- 5 Adding the new device equations to the device code

Example

This process can be illustrated by looking at the PSpice JFET and GaAsFET devices, as shown below. The topologies of these two devices are nearly identical, except that the GaAsFET has an additional internal capacitance, CDS, between the source and drain, and an additional internal resistance, R_G , at the gate. This gives the GaAsFET topology one additional node where R_G joins the rest of the structure and two additional internal branches.



Procedure

Step one: editing the device header file

These differences are reflected in the device structure definitions in `J.H` and `B.H`. Each of the device nodes is given a name and declared to be of type `CKT_IDX`.

The JFET device structure, `j_`, lists the two internal nodes `j_d` and `j_s`, while the GaAsFET device structure, `b_`, has three internal nodes `b_d`, `b_s`, and a new one, `b_g`. The two additional branches in the GaAsFET require three new matrix conductance terms.

The conductance terms are declared type `MTX_IDX` and are listed immediately following the internal nodes.

The JFET has a term `j_gg`, which appears on the matrix diagonal for the external gate node.

The GaAsFET has an additional gate node which requires one additional matrix diagonal conductance term, `b_gg`, along with two off-diagonal conductance terms, `b_gg` and `b_gG`. These are used by the source code in `GASFET.C` to designate where the conductance terms associated with `RG` go when the matrix is loaded. `CDS` doesn't need any additional nodes or matrix terms because the items required are already in place to accommodate the parallel current source, `id`.

With the nodes and conductance terms taken care of in the device header file, the first step is completed.

Step two: setting up memory allocation for the new matrix elements

You can set up memory allocation to properly incorporate the new equations into the conductance matrix by modifying `DEMATPTR.C`. In this file are the functions `j_MatPtr()` and `b_MatPtr()`. These functions call the function `Reserve()` once for each conductance matrix term that was declared in the header file. For instance, when `b_gg`, `b_gg`, and `b_gG` are added for the GaAsFET, these require corresponding code in `b_MatPtr()` as follows:

```
flag &= Reserve (ng,ng);
flag &= Reserve (nG,ng);
flag &= Reserve (ng,nG);
```

The arguments `ng` and `nG` are local variables that serve as aliases for the respective device nodes, `b_g` and `b_G`, and are assigned at the beginning of `b_MatPtr()` as follows:

```
ng = bloc -> b_g;
nG = bloc -> b_G;
```

Step three: binding the nodes and branches

The mechanics of step three, binding the nodes and branches, are very similar to the mechanics of step two. This time `DEMATLOC.C` is modified. The functions of interest are `j_MatLoc()` and `b_MatLoc()`, and they now call `Indxc1()` instead of `Reserve()`. The GaAsFET again has three more lines of code:

```
flag &= Indxc1 (&(bloc->b_gg),ng,ng);
flag &= Indxc1 (&(bloc->b_gg),nG,ng);
flag &= Indxc1 (&(bloc->b_gG),ng,nG);
```

Step four: handling model parameters

Step four, handling model parameters, is basically the same as it would be for a case not involving topology changes, with one significant exception: this requires handling the case where the parasitics associated with an internal node can be zero. In this case the node must be generated conditionally. An instance of this is the GaAsFET internal resistance R_G . If R_G is zero, the parasitic resistance between the internal node b_g and the external node b_G can be removed from the circuit. This is accomplished in the function `b_AddInternalNodes()` in `DEM0DCHK.C`, using the following line of code:

```
INTERNAL_NODE(P->B_rg,b_g,b_G);
```

`INTERNAL_NODE()` is a macro that performs the required logic, depending on whether the model parameter B_{rg} is zero or not. The other two calls to this macro in `b_AddInternalNodes()` correspond to the R_D and R_S resistances that also exist for the JFET.

Step five: implementing the new device equations

The final step does not involve any further topological considerations and is carried out just as it would be if the device internal topology weren't being changed.

Recompiling and linking the Device Equations option

The object and source files needed to create the Device Equations DLL are installed in a directory called `DEVEQU`. The MSVC++ 4.2 project files, `deveq.mdp` and `deveq.mak`, are included to compile and link the DLL.

For information on obtaining the Microsoft compiler, contact Microsoft Corporation directly.

To create a new `deveq.dll`

- 1 Load `deveq.mdp` into the Visual C++ development environment.
- 2 From the Build menu, select Build `Deveq.dll`.
The project supports debug and release versions of the build target.
- 3 After `deveq.dll` is built, copy it to the directory that contains `pspice.exe`.

Personalizing your DLL

The function `DLLMain()` in `deveqdll.c` contains the following line of code:

```
DEVEQVERSIONINFO("", VERSIONNUM);
```

To personalize your DLL, change the two arguments, as in:

```
DEVEQVERSIONINFO("(c)Copyright 1999\nMyCorp", "7.2.1");
```

Simulating with the Device Equations option

After you obtain a working Device Equations DLL, place it in the directory that contains `pspice.exe`.

If your PSpice license has the Device Equations option, PSpice will locate and load `deveq.dll` when you start the program. The code in the DLL will be substituted for the device model code that ships with the plain version of PSpice. The title bar will indicate that PSpice is using the DLL by showing the program name as `PSpice/DE`. The presence of the DLL is also noted in the About box and in the `.out` file.

If PSpice doesn't find the DLL, it runs as the normally configured PSpice.

New! Selecting which models to use from a Device Equations DLL

You can tell PSpice which device models to use from a custom DLL by adding an entry to the `pspice.ini` configuration file; for any device type you do not specify, PSpice uses the normally configured PSpice models.

To specify which models to use from a custom DLL

- 1 In a standard text editor (such as Notepad), open `pspice.ini`, located in the directory with your PSpice program file.
- 2 Find the [ORCAD] section and add this line to the section:

```
USE_DEVEQ_MODELS="<device letters>"
```

where <device letters> is any or all of the following:

For this device type...	Use this device letter...
<u>GaAsFET</u>	B
<u>Diode</u>	D
<u>Junction FET</u>	J
<u>MOSFET</u>	M
<u>Bipolar transistor</u>	Q

For example, to use all of the possible device models from your custom DLL, type the following:

```
USE_DEVEQ_MODELS="BDJMQ"
```

- 3 Save `pspice.ini`.
- 4 Start PSpice and run a simulation.



Glossary

ABM	analog behavioral modeling
AKO	“A Kind Of” symbol. Symbols must either contain graphics or refer to an AKO symbol. The AKO defines the symbol in terms of the graphics and pins of another part. Both must exist in the same Symbol Library file.
alias	An alias relates local schematic names for parts and signals to netlist names (simulation devices and nodes). An alias is an exact electrical equivalent that can be used to reference a symbol. A command that sets up equivalences between pin names or net names and node names. As a command, it is the setup equivalences between node names and pin names or net names.
annotation	Annotation is a means by which parts are labeled when they are placed, either automatically or manually.
annotation symbol	An annotation symbol has no electrical significance, and is used to clarify, point out, or define items on the schematic.
argument	A value or an expression used with an operator or passed to a subprogram (subroutine, procedure, or function).
attributes	Attributes are special characteristics (a name and an associated value) contained in a part instance or definition. For example, a MOSFET may contain specific length and width parameters which are represented as attributes on the symbol or part. Attributes may be changed through the Schematic Editor and/or the Symbol Editor.
block	A block is a user defined rectangle placed on a schematic. It is used to represent or hold the place for a collection of circuitry. The block is treated as a black box by Schematics. Schematics is aware of the connections going into and out of the block, but ignores the contents of the block until the netlist is generated.
bus	A bus is a collection of homogeneously named signals.
call	To transfer a program execution to some section of code (usually a subroutine of some sort), while saving the necessary information to allow execution to resume at the calling point when the call section has completed execution.
circuit	A circuit is a configuration of electrically connected components or devices.
comment	A statement written into a program for documentation purposes only and not for any functionality purposes.
compiler	Translates between high-level computer language understood by humans and machine language that is understood by computers.
component	A device or part employed in a circuit to obtain some desired action. See package .

connector	A connector is a physical device that is used for external connections to a circuit board.
construct	A computer program statement that produces a predetermined effect.
current source	A current source can be an ideal current source (no limit on the supply voltage) or a voltage source with a series resistor.
defined function	A computer instruction specifying the operation to be done with predetermined limits.
declarative statement	A computer source program instruction specifying the size, format, and kind of data elements and variables in a program for a compiler.
device	A simple or complex discrete electronic component. Sometimes, a subsystem employed as a unit and, therefore, thought of as a single component. See package .
DIBL	drain-induced barrier lowering (MOSFET device)
dot command	A type of formatting command typed into a document that is preceded by a period (dot) to distinguish from other syntax text.
doping tail	A changing amount of impurity in a semiconductor device. It is observed as a change in the bulk resistance of the semiconductor material.
ELSE	An operation used in BASIC computer programming. It specifies the operation to be performed if the conditions given in the same program line didn't occur.
flicker noise	A repeating low-frequency noise.
Fourier analysis	A mathematical method of transforming a function in such a way that the data of the function is retained but the representation of that data is changed. It is used to simplify the reduction of the data.
FSTIM	digital file stimulus device
gate	A gate is a subset of a package, and corresponds to a part instance. An electronic switch that follows a rule of Boolean logic.
glitch	An unwanted transient that recurs irregularly in the system.
global temperature	Universally applied temperature (to all elements of a circuit)
global parameter	Universally applied parameter (to all elements of a circuit)
icon	A small graphics image displayed on the screen to represent an object that can be manipulated by the user.
IF	An operation used in BASIC computer programming. It specifies an IF-THEN operation to be performed when a condition has changed from what was expected in a program line.
ISAS	independent current source and stimulus
included file	A smaller file that is read into a larger source-code file at a specific spot and becomes part of a statement within the larger source-code file.
instance name	A name of an object in an object oriented programming. It is a unique name for a part instance.
instantiate	To create an instance of a class in object oriented programming.

invocation	To start a software program by invoking an initial power from a higher power
invoke	To call or activate; used in reference to commands and subroutines.
ionization knee	A bend in the response curve where ionization starts.
IS temperature	The temperature of the JFET and other transistor types junction saturation current or the input leakage current
iteration	A repeating series of arithmetic operations to arrive at a solution.
Jiles-Atherton model	A state equation model rather than an explicit function for an inductor
junction	A junction graphically indicates that wires, buses, and/or pins are electrically connected.
keyword	The significant word in a syntax statement that directs the process of the operation.
labels	Is a word or symbol used to identify a file or other element defined in a computer program.
LIBPATH	A variable that specifies the directory that the model library is in, and is first set in the msim.ini file.
link	A branch instruction, or an address in such an instruction, used to leave a subroutine to return to some point in the main program.
lot tolerance	The tolerance of a group of items taken as one unit.
lsb	least significant bit
metafile	A file that contains or defines other files.
mobility	movement of electrons in semiconductor devices such as MOSFETs
model library	consists of analog models of off-the-shelf parts that can be used directly in circuits that are being developed
mouse	A common pointing device used in a windows environment. The physical movement of the mouse will move the pointer (cursor) on the screen.
msb	most significant bit
msim.ini	The MicroSim configuration file that has the default elements that are used to complete a simulation.
nesting	The embedding of one construct (such as a table in a database; a data structure, a control structure) inside another—for example, a nested procedure is a procedure declared within a procedure.
NETLIST	The netlist provides the circuit definition and connectivity information in simulation netlist format.
NODESET	A nodeset symbol contains one or two pins, permitting you to initialize a node voltage for simulation.
NOREUSE flag	A piece of information that tells the simulator that the automatic saving and restoring of bias point information between different temperatures, Monte Carlo runs, worst-case runs, or parametric analyses is suppressed. It is one of the options in the .OPTIONS (analysis options) command.

NOSUBCKT	A variable that tells the simulator not to save the node voltages and inductor currents for subcircuits.
NUMDGT	An option that tells the simulator the number of digits that will be printed for the analog values. It is one of the options in the .OPTIONS (analysis options) command.
object	A variable comprising both routines and data that is treated as a discrete entity, in object-oriented programming.
operator	A symbol (mathematical, as an example) or other character indicating an operation that acts on one or more elements.
OUTPUT ALL	An option that asks for an output from the sensitivity runs, after the nominal (first) run. The output from any run is governed by the .PRINT (print) , .PLOT (plot) , and .PROBE (Probe) command in the file. If OUTPUT ALL is omitted, then only the nominal and worst-case runs produce output. OUTPUT ALL ensures that all sensitivity information is saved for Probe.
package	A package is an enclosure for an electronic device or subsystem. A physical device consisting of one or more gates.
page	A page may contain both parts (represented by symbols), port instances, connectors, and annotation symbols. A page may or may not have a title. Each schematic page represents a single page of a circuit design.
parameter	A value that is given to a variable for programming.
part	A part is an electrical component that is represented by a schematic symbol. The term refers to the logical, rather than the physical, component.
part definition	See symbol .
part instance	A part instance refers to an occurrence of a symbol in a schematic.
pin	Pins are contained in parts, ports, and offpage connectors. Parts can contain multiple pins. Each part contains specific pin names associated with the part. Pins may connect to a wire, a bus, or another pin.
pin current	The current that flows into or out-of a defined pin.
POLY	Specifies the number of dimensions of the polynomial.
port	A port provides connectivity across schematic pages. A port provides the anchor for a single pin. Ports are chosen from library files, placed, moved, and deleted in the same way as are parts. Ports may have multiple connections. Ports consist of three types: global, interface, and offpage.
run	The execution of a computer routine or operation.
SCBE	substrate current induced body effect (MOSFET device)
schematic	A schematic consists of the following components: one or more pages, a set of symbols representing local part definitions or parts in a library file, and/or text.
setpoint	A setpoint provides a graphical way of introducing .IC (initial bias point condition) or .NODESET (set approximate node voltage for bias point) commands for each instance of a symbol. These commands set one or more node voltages for the bias point calculation.

SIMLIBPATH	A variable that defines the environment that the simulator is working in (path to the directory that the library is in).
simulation	The use of a mathematical model to represent a physical device or process.
skipbp	(skip bias point)
statement	The smallest executable entity within a programming language. In general, each line of a program is an individual statement and is considered an individual instruction. (Examples: command statements, option statements, control statements, assignment statements, comment statements.)
Statz model	A GaAsFET model
subcircuit	A small collection of components working together to perform a task.
symbol	A symbol consists of the graphical representation of a logical or physical electronic part on the schematic page, and its definition. Symbols can be created either for a specific schematic or extracted from a library file, and may contain schematic pages nested within them.
syntax	The grammar of a particular computer language, with rules that govern the structure and content of the statement.
TEXTINT	A function which returns a text string which is the integer value closest to the value of the <value or expression>; (<value or expression> is a floating-point value)
tick number	The number generated from a regular recurring signal emitted by a clocking circuit, or from the interrupt generated by this signal.
TOM model	a GaAsFET device
VARY BOTH	The default option is VARY BOTH. When VARY BOTH is used, sensitivity to parameters using both DEV and LOT specifications is checked only with respect to LOT variations. The parameter is then maximized or minimized using both DEV and LOT tolerances for the worst-case. All devices referencing the model have the same parameter values for the worst-case simulation.
VARY DEV	See VARY BOTH
VARY LOT	See VARY BOTH
VTO temperature	The temperature of the JFET or MOSFET device when there is zero-bias threshold (pinchoff) voltage.
window	An area on the screen in a graphical computer interface that contains instructional documentation or a message.

Index



* (comment), [98](#)
; (in-line comment), [99](#)

Numerics

4000-series CMOS library, [339](#)
7400-series TTL and CMOS libraries, [339](#)
74181 model, [300](#)
74393 subcircuit example, [255](#)

A

A/D and D/A converters, [292](#)
ABM, [135](#)
 defined, [353](#)
 polynomial transfer function, [136](#)
absolute value (ABS), [xvii](#)
ABSTOL (.OPTIONS), [59](#)
.AC, [30](#)
AC analysis, [30](#)
ACCT (.OPTIONS), [57](#)
ACOS(x), [xvii](#)
ADC, [293](#)
AFFECTS, [308](#)
air-gap, [163](#), [164](#)
AKO, [110](#), [153](#), [171](#), [183](#), [206](#), [216](#)
 defined, [353](#)
alias, [344](#)
 defined, [353](#)
.ALTER, [102](#)
amplitude, peak, [148](#), [149](#)
analog devices, [51](#)
 passive
 semiconductor
analog parts
 breakout parts, [127](#), [161](#), [170](#), [215](#)
 capacitors, [215](#)
 ideal switches, [219](#), [232](#)
 inductor coupling (KBREAK), [161](#)
 inductors, [215](#)

 resistors, [215](#)
 semiconductor parts, [130](#), [175](#)
analog-to-digital converter, [49](#)
analyses
 AC, [30](#)
 bias point, [56](#)
 DC, [32](#)
 Fourier, [39](#)
 Monte Carlo, [45](#)
 noise, [54](#)
 parametric, [79](#)
 sensitivity, [78](#)
 sensitivity/worst-case, [95](#)
 temperature, [87](#)
 transient, [90](#)
analysis options
 flag options, [57](#)
AND, [262](#)
AND3, [265](#)
anhysteric, [163](#)
annotation
 defined, [353](#)
annotation symbol
 defined, [353](#)
AO, [262](#)
arc tangent (ATAN and ARCTAN), [xvii](#)
arccosine function, [xvii](#)
ARCOS(x), [xvii](#)
arcsine, [xvii](#)
arctangent, [xvii](#)
argument, [85](#), [86](#), [235](#), [353](#)
arithmetic expressions, [xviii](#)
ASIN(x), [xvii](#)
ATAN2, [xvii](#)
attributes
 definition, [51](#), [58](#), [353](#)

B

base-

emitter voltage, [73](#)
 terminal abbreviation, [70](#)
 behavioral primitives, [255](#), [297](#)
 constraint check, [310](#)
 logic expression, [298](#)
 pin-to-pin delay, [301](#)
 bias point, [56](#)
 .NODESET, [53](#)
 SKIPBP, [90](#)
 small-signal, [41](#)
 biaspoint
 transient, [41](#)
 bidirectional delay line, [222](#)
 bidirectional transfer gates, [254](#), [267](#)
 binary notation format, [319](#)
 bipolar transistor, [203](#)
 summary, [103](#), [105](#)
 bipolar transistor model
 quasi-saturation effect, [211](#)
 bipolar transistor, PNP, [49](#)
 block, [235](#), [353](#)
 BOOLEAN, [302](#), [303](#), [310](#)
 Boolean expression IF, [xvii](#)
 breakout parts, [127](#), [170](#), [215](#)
 inductor coupling, [161](#)
 BSIM3 model
 advanced parameters, [179](#)
 BUF, [262](#)
 BUF3, [265](#)
 bulk, MOSFET terminal (substrate), [70](#)
 bus, [61](#)
 defined, [353](#)

C

call, [67](#), [85](#), [104](#), [235](#), [353](#)
 CAP device model, [49](#)
 capacitor, [49](#), [126](#)
 summary, [103](#), [105](#)
 capacitors, [215](#)
 voltage coefficients, [101](#)
 CASE, [306](#)
 CHANGED
 reference function, [304](#)
 CHANGED_HL
 reference function, [304](#), [306](#)
 CHANGED_LH

reference function, [304](#)
 CHEBYSHEV, [134](#)
 CHGTOL (.OPTIONS), [59](#)
 circuit, [104](#), [126](#), [235](#), [236](#), [353](#)
 circuit topology, [77](#)
 CLEAR, [311](#)
 CLOCK, [310](#)
 CLRBAR, [306](#)
 Cohen, Ellis, [345](#)
 collector, [70](#)
 command
 reference, [28](#)
 syntax format, [xv](#)
 command files
 Probe, [xx](#)
 command line options
 PLogic, [xxv](#)
 PSpice, [xxv](#)
 PSpice A/D, [xxv](#)
 comment, [98](#), [353](#)
 bias point files, [44](#)
 included files, [42](#)
 in-line, [99](#)
 comment line, [98](#)
 common simulation data file (CSDF), [67](#)
 compiler, [342](#), [351](#), [353](#)
 compiling, [351](#)
 complex digital devices, [297](#)
 component, [104](#), [168](#), [214](#), [236](#), [353](#)
 conductance, [59](#)
 conductance matrix, [343](#)
 connectors, [354](#)
 CONSTRAINT, [300](#), [308](#), [310](#), [314](#)
 PSpice messages, [61](#)
 constraint check, [310](#)
 FREQ, [313](#)
 GENERAL, [313](#)
 SETUP_HOLD, [310](#)
 WIDTH, [312](#)
 continuation line, [283](#), [287](#), [289](#)
 conventions, [28](#)
 expression, [28](#)
 numeric value, [28](#)
 convergence hazard, [61](#)
 convergence problems, [77](#)
 corrections, [102](#)
 converters, [292](#), [295](#)

convolution, [224](#)
 CORE device model, [49](#)
 core model, [165](#), [168](#)
 cosine (COS), [xvii](#)
 CPTIME (.OPTIONS), [59](#)
 CPU time, [59](#)
 current source, [30](#), [354](#)
 EXP parameters, [142](#)
 PULSE parameters, [143](#)
 SIN parameters, [149](#)
 SSFM parameters, [148](#)
 current-controlled
 current source, [103](#), [105](#), [139](#)
 resistor, [231](#)
 switch, [49](#), [103](#), [105](#), [231](#)
 voltage source, [103](#), [105](#), [139](#)

D

D device model, [49](#)
 DAC, [295](#)
 damping factor
 current source, [149](#)
 data
 file, [xxiv](#)
 .DC, [32](#)
 DC analysis, [32](#)
 DC gain, [89](#)
 DC sweep, [32](#)
 Ddt(x), [xvii](#)
 declarative statement, [354](#)
 DEFAD (.OPTIONS), [59](#)
 DEFAS, [59](#)
 default temperature (TNOM), [60](#)
 defined function, [35](#), [40](#), [354](#)
 DEFL (.OPTIONS), [59](#)
 DEFW (.OPTIONS), [59](#)
 DEG, [135](#)
 DELAY, [134](#)
 delay, [305](#)
 line, [254](#), [280](#)
 values, [257](#)
 DEV tolerance, [50](#), [97](#)
 DEVEQU, [351](#)
 device, [176](#), [177](#), [179](#), [354](#)
 header file, [348](#)
 model change, [343](#)
 topology, [348](#)
 device equations
 adding a new device, [347](#), [348](#)
 adding a parameter, [344](#)
 changing a parameter's name, [344](#)
 changing the device equations, [345](#)
 example, [348](#)
 giving a parameter an alias, [344](#)
 making device model changes, [343](#)
 recompiling and linking, [351](#)
 device temperatures, customized, [51](#)
 devices, [103](#), [105](#)
 A/D converter, [292](#)
 bipolar transistor, [203](#)
 capacitor, [126](#)
 complex digital, [297](#)
 current-controlled current source, [139](#)
 current-controlled switch, [231](#)
 current-controlled voltage source, [139](#)
 D/A converter, [292](#)
 digital input, [330](#)
 digital output, [334](#)
 digital primitive, [103](#)
 digital stimulus, [103](#)
 digital-to-analog interface, [330](#)
 diode, [129](#)
 GaAsFET, [108](#)
 independent current source & stimulus, [140](#)
 independent current source & stimulus
 (sinusoidal waveform), [149](#)
 independent voltage source & stimulus, [140](#)
 inductor, [168](#)
 inductor coupling, [103](#)
 inductor coupling (transformer core), [158](#)
 input/output model, [328](#)
 insulated gate bipolar transistor, [236](#)
 interface, [252](#)
 JFET, [151](#)
 MOSFET, [103](#), [106](#), [172](#)
 passive, [51](#)
 primitives, [253](#)
 programmable array logic, [340](#)
 resistor, [214](#)
 semiconductor, [51](#)
 stimulus, [252](#)
 subcircuit instantiation, [235](#)
 subcircuits, [103](#)

- transmission line, [222](#)
 - transmission line coupling, [103](#), [107](#), [158](#)
 - voltage-controlled current source, [134](#)
 - voltage-controlled switch, [218](#)
 - voltage-controlled voltage source, [134](#)
 - DFF, [271](#)
 - DIBL, [179](#), [187](#), [188](#), [354](#)
 - differential function, [xvii](#)
 - DIGDRVF (.OPTIONS), [59](#)
 - DIGDRVZ (.OPTIONS), [59](#)
 - DIGERRDEFAULT (.OPTIONS), [59](#), [314](#)
 - DIGERRLIMIT (.OPTIONS), [59](#), [314](#)
 - DIGFREQ (.OPTIONS), [59](#)
 - DIGINITSTATE (.OPTIONS), [59](#)
 - DIGIOLVL, [257](#)
 - DIGIOLVL (.OPTIONS), [59](#)
 - digital delay line, [49](#)
 - digital input, [49](#), [330](#)
 - digital input model parameters, [331](#)
 - C (capacitance), [331](#)
 - FILE, [331](#)
 - FORMAT, [331](#)
 - Sn (state "n"), [331](#)
 - TIMESTEP, [331](#)
 - digital libraries, [338](#)
 - digital output, [49](#), [334](#)
 - .VECTOR, [92](#)
 - digital output model parameters, [334](#)
 - CHGONLY, [334](#)
 - CLOAD, [334](#)
 - FILE, [334](#)
 - FORMAT, [334](#)
 - RLOAD, [334](#)
 - Sn (state "n"), [334](#)
 - SXNAME, [335](#)
 - TIMESCALE, [335](#)
 - TIMESTEP, [335](#)
 - digital power supplies, [328](#), [329](#), [339](#)
 - digital primitives, [253](#)
 - format, [256](#)
 - digital simulation
 - results in files, [92](#)
 - worst-case timing, [62](#)
 - digital time step, [59](#)
 - digital worst-case timing, [61](#)
 - convergence hazard, [61](#)
 - cumulative ambiguity hazard, [61](#)
 - digital input voltage, [61](#)
 - glitch suppression, [62](#)
 - net state conflict, [61](#)
 - persistent hazard, [62](#)
 - zero-delay-oscillation, [62](#)
 - digital-to-analog
 - converter, [49](#)
 - interface devices, [330](#)
 - DIGMNTYMX (.OPTIONS), [59](#), [257](#)
 - DIGMNTYSCALE (.OPTIONS), [59](#), [258](#)
 - DIGOVRDRV (.OPTIONS), [59](#)
 - DIGTYMXSCALE (.OPTIONS), [59](#)
 - DINPUT device model, [49](#), [330](#)
 - diode model, [49](#), [103](#), [106](#), [129](#)
 - display file, [xxv](#)
 - .DISTO (small-signal distortion), [101](#)
 - .DISTRIBUTION, [35](#), [58](#)
 - distribution
 - user-defined, [35](#)
 - using an include file, [35](#)
 - distribution name
 - GAUSS, [50](#)
 - user-defined, [50](#)
 - distributions
 - UNIFORM tolerances name, [50](#)
 - DLTCH, [276](#)
 - DLYLINE, [280](#)
 - doping tail, [188](#), [205](#), [354](#)
 - dot command, [126](#), [140](#), [354](#)
 - DOUTPUT device model, [49](#)
 - drain, [70](#)
 - area, [59](#)
 - bulk, [173](#)
 - induced, [184](#)
 - drive resistance, [59](#)
- ## E
- edge-triggered flip-flops, [49](#), [271](#)
 - truth tables, [274](#), [275](#)
 - ELSE, [xvii](#), [354](#)
 - emitter, [70](#)
 - ENABLE, [307](#)
 - .END, [37](#)
 - end of circuit, [37](#)
 - end subcircuit definition, [84](#)
 - ENDREPEAT, [319](#)

.ENDS, [84](#)
 environment variables
 LIBPATH, [43](#)
 equation
 changing, [345](#)
 ERRORLIMIT, [314](#)
 examples
 CONSTRAINT primitive, [315](#)
 EXPAND (.OPTIONS), [44](#), [57](#)
 exponential (EXP), [xvii](#)
 exponential temperature coefficient (TCE), [216](#)
 expressions, [xviii](#), [40](#)
 conventions, [xvi](#)
 numeric conventions, [xvii](#)
 text, [88](#)
 .EXTERNAL, [38](#)
 external port specifications, [38](#)

F

FALSE, [312](#)
 ferromagnetic, [167](#)
 Ferroxcube, [160](#)
 FET, [49](#)
 file, [xxiv](#), [323](#)
 data, [xxiv](#)
 header, [323](#)
 input, [xxiii](#)
 output, [xxiv](#)
 stimulus, [323](#)
 transitions, [323](#)
 files
 log, [xxi](#), [xxiv](#)
 stimulus, [93](#)
 filter shift, [80](#)
 final time value, [90](#), [140](#)
 flicker noise, [124](#), [133](#), [157](#), [201](#), [213](#), [354](#)
 flip-flops and latches, [254](#), [270](#)
 initialize, [270](#)
 timing constraints, [270](#)
 X-level handling, [270](#)
 flush interval, [xxiv](#)
 FORMAT, [332](#)
 format array, [322](#)
 .FOUR, [39](#)
 Fourier analysis, [28](#), [39](#), [90](#), [354](#)
 FREQ (constraint check), [313](#)

frequency
 expression, [134](#)
 modulation, [141](#)
 response, AC analysis, [30](#)
 FSTIM, [86](#), [88](#), [323](#), [325](#), [354](#)
 .FUNC, [40](#)
 function definition, [40](#)
 functions
 absolute value (ABS), [xvii](#)
 arc tangent (ATAN and ARCTAN), [xvii](#)
 arccosine (ACOS), [xvii](#)
 arctangent (ARCTAN), [xvii](#)
 arsine (ASIN), [xvii](#)
 ATAN2, [xvii](#)
 cosine (COS), [xvii](#)
 cosine hyperbolic, [xvii](#)
 differential (Ddt), [xvii](#)
 exponential (EXP), [xvii](#)
 hyperbolic tangent (TANH), [xviii](#)
 IF, [xvii](#)
 imaginary (IMG), [xvii](#)
 integral (Sdt), [xviii](#)
 limit (LIMIT), [xvii](#)
 log base 10 (LOG10), [xvii](#)
 log base E (LOG), [xvii](#)
 MAX, [xvii](#)
 MIN, [xvii](#)
 phase (P), [xvii](#)
 power (PWR), [xviii](#), [xix](#)
 real (R), [xviii](#)
 signed power (PWRS), [xviii](#)
 signum (SGN), [xviii](#)
 sine (SIN), [xviii](#)
 square root (SQRT), [xviii](#)
 step (STP), [xviii](#)
 table (TABLE), [xviii](#)
 tangent (TAN), [xviii](#)

G

GaAs MESFET, [49](#)
 GaAsFET, [103](#), [106](#), [108](#), [111](#), [349](#)
 device model, [49](#)
 illustration, [348](#)
 Level 1 parameters, [111](#)
 Level 2 parameters, [111](#)
 Level 3 parameters, [113](#)

Level 4 parameters
 parameters for all levels, [110](#)
 gate, [354](#)
 gated
 latch, [276](#)
 gates, [49](#), [70](#), [260](#)
 bidirectional transfer, [267](#)
 flip-flops
 number in model, [264](#)
 number of inputs, [261](#)
 standard, [261](#)
 tri-state, [264](#)
 gate-source
 voltage, [69](#)
 Gaussian, [50](#)
 GENERAL (constraint check), [313](#)
 glitch, [354](#)
 suppression, [62](#)
 global
 node names, [85](#)
 parameters, [354](#)
 ports, [354](#)
 GMIN (.OPTIONS), [59](#)
 goal functions
 command line, [xxv](#)
 group delay, [73](#)
 AC analysis, [30](#)
 Gummel-Poon transistor model
 quasi-saturation effect, [211](#)

H

harmonics, [39](#)
 header
 file, [323](#)
 HEX radix functions, [323](#)
 hexadecimal notation, [320](#)
 HEXFET, [202](#)
 HOLDTIME, [311](#)
 hyperbolic tangent (TANH), [xviii](#)
 hysteresis, [163](#)

I

I/O model, [317](#)
 .IC, [41](#), [53](#)
 bias point
 .IC setting, [41](#)

IC=, [90](#), [126](#), [168](#)
 icon, [xiv](#), [354](#)
 ideal transmission line, [223](#)
 IF, [xvii](#), [354](#)
 IGBT
 extracting model parameters from data sheets,
 [238](#)
 imaginary part, [73](#)
 IMG(x), [xvii](#)
 .INC, [40](#), [42](#), [48](#)
 included file, [29](#), [85](#), [96](#), [354](#)
 .DISTRIBUTION command, [58](#)
 including files, [40](#), [42](#)
 INCR BY, [321](#)
 IND device model, [49](#)
 independent current source & stimulus, [103](#), [106](#),
 [140](#)
 sinusoidal waveform, [149](#)
 independent sources
 AC analysis, [30](#)
 independent voltage source & stimulus, [103](#), [106](#),
 [140](#)
 inductor, [49](#), [103](#), [106](#), [168](#)
 coupling, [103](#), [106](#), [159](#)
 coupling (transformer core), [158](#)
 inductors, [215](#)
 current coefficients, [101](#)
 initial bias point condition, [41](#)
 in-line comment, [99](#)
 input file, [xxiii](#)
 input/output model parameters, [257](#), [328](#)
 AtoD, [328](#)
 DIGPOWER, [328](#)
 DRV, [328](#)
 DtoA, [328](#)
 OUT, [328](#)
 TPWRT, [328](#)
 instance name, [105](#), [354](#)
 instantiate, [84](#), [354](#)
 insulated gate bipolar transistor (IGBT), [103](#), [106](#),
 [236](#)
 integral (Sdt), [xviii](#)
 Intel hex format, [285](#), [289](#)
 interface, [252](#)
 internal time step, [91](#)
 INTERNAL_NODE, [350](#)
 INV, [262](#)

INV3, [265](#)
 invoke, [355](#)
 IO_LEVEL, [257](#), [317](#)
 IO_STM, [317](#), [319](#), [326](#)
 ionization knee, [155](#), [355](#)
 IS =, [332](#)
 IS temperature, [110](#), [131](#), [153](#), [207](#), [355](#)
 ISAS, [354](#)
 ISWITCH device model, [49](#)
 iteration, [147](#), [355](#)
 ITL3, [101](#)
 ITL_n (.OPTIONS), [59](#)

J

JEDEC file, [86](#), [88](#), [281](#), [283](#), [284](#), [340](#)
 JFET, [103](#), [106](#), [151](#), [349](#)
 illustration, [348](#)
 Jiles-Atherton model, [161](#), [163](#), [355](#)
 JKFF, [271](#)
 job statistics (ACCT), [57](#)
 junction
 definition, [173](#), [176](#), [355](#)

K

KBREAK (inductor coupling), [161](#)
 KEYWORD, [134](#), [146](#), [355](#)
 DEG, [135](#)
 MAG, [135](#)
 PARAMS, [235](#)
 R_I, [135](#)
 RAD, [135](#)
 Knuth, Donald, [46](#)

L

labels, [355](#)
 Laplace variable, [40](#), [134](#)
 latch, [270](#)
 gated, [276](#)
 lateral PNP, [49](#)
 .LIB, [43](#)
 LIBPATH, [43](#), [355](#)
 LIBRARY (.OPTIONS), [57](#)
 library file, [43](#)
 limit (LIMIT), [xvii](#)
 LIMPTS (.OPTIONS), [60](#)

LIMTIM, [101](#)
 linear
 temperature coefficient (TC1), [216](#)
 link, [351](#), [355](#)
 LIST (.OPTIONS), [57](#)
 .LOADBIAS, [76](#)
 load bias point file, [44](#)
 log (logarithmic)
 base 10 (LOG10), [xvii](#)
 base E (LOG), [xvii](#)
 log files, [xxi](#)
 PSpice, [xxiv](#)
 log Probe commands, [xxi](#)
 logic expression, [298](#)
 LOGICEXP, [298](#), [299](#), [301](#)
 lossy transmission line, [49](#), [224](#)
 lot tolerance, [50](#), [96](#), [97](#), [355](#)
 LPNP device model, [49](#)
 lsb, [93](#), [355](#)
 LVLCOD, [101](#)
 LVLTIM, [101](#)

M

M.H, [343](#)
 macro file, [xxv](#)
 MAG, [135](#)
 magnetic core, [159](#), [161](#)
 magnitude, [60](#), [73](#)
 M(x), functions, [xvii](#)
 master library file, [43](#)
 MAXFREQ, [313](#)
 maximum
 (MAX), [xvii](#)
 MAXORD, [101](#)
 .MC, [45](#)
 memory primitives, [255](#)
 RAM, [289](#)
 ROM, [285](#)
 messages, [61](#), [314](#)
 DIGITAL INPUT VOLTAGE, [61](#)
 FREQUENCY, [61](#)
 GENERAL, [61](#)
 hazard and timing violation, [61](#)
 HOLD, [61](#)
 NET-STATE CONFLICT, [61](#)
 PERSISTENT HAZARD, [62](#)

persistent hazards, [38](#)
 RELEASE, [61](#)
 SETUP, [61](#)
 Timing Violations, [61](#)
 WIDTH, [61](#)
 ZERO-DELAY- OSCILLATION, [62](#)
 metafile, [355](#)
 METHOD, [101](#)
 Microsoft compiler for the device equations option,
 [351](#)
 MIN_LO, [312](#)
 MINFREQ, [313](#)
 minimum (MIN), [xvii](#)
 MNTYMXDLY, [257](#)
 mobility, [179](#), [183](#), [184](#), [189](#), [239](#), [240](#), [355](#)
 .MODEL, [48](#)
 model
 library, [43](#), [355](#)
 temperature customization, [51](#)
 model breakout parts
 resistors, [215](#)
 D (diode), [130](#)
 GASFET (GaAsFET), [109](#)
 IGBT, [237](#)
 ISWITCH (current-controlled switch), [232](#)
 LPNP (bipolar transistor), [204](#)
 NJF (JFET), [152](#)
 NMOS (MOSFET), [175](#)
 NPN (bipolar transistor), [204](#)
 PJF (JFET), [152](#)
 PMOS (MOSFET), [175](#)
 PNP (bipolar transistor), [204](#)
 VSWITCH (voltage-controlled switch), [219](#)
 X (diode), [130](#)
 models, using in circuit designs, [104](#)
 Monte Carlo analysis, [35](#), [45](#), [76](#)
 default distribution values, [58](#)
 read-in error, [80](#)
 MOS.C and device model changes, [343](#)
 MOS.C and state vector information, [347](#)
 MOSFET, [103](#), [172](#)
 BSIM3 version 3.1 model description, [179](#)
 BSIM3 version 3.1 model parameters, [190](#)
 device declaration, [106](#)
 EKV version 2.6 model description, [177](#)
 EKV version 2.6 model parameters, [185](#)
 Level 4 description, [176](#)

 Level 6 advanced parameters, [179](#)
 Levels 1, 2, and 3 descriptions, [176](#)
 model declaration, [49](#)
 model parameters, [176](#)
 mouse, [355](#)
 msb, [93](#), [355](#)
 msim.ini, [43](#), [355](#)
 multi-bit A/D converter, [255](#), [292](#)
 timing model, [293](#)
 multi-bit D/A converter, [255](#), [292](#), [295](#)
 timing model, [295](#)
 MXPR macro, [344](#)

N

N device, [330](#)
 Nagel, Lawrence, [345](#)
 NAND, [262](#)
 NAND3, [265](#)
 NBTG, [267](#)
 N-channel, [49](#)
 GaAsMESFET, [49](#)
 IGBT, [49](#)
 JFET, [49](#)
 NMOS, [49](#)
 nested subcircuits, [101](#)
 nesting, [235](#), [355](#)
 netlist
 definition, [355](#)
 device declarations, [105](#)
 intrinsic device types, [105](#)
 proper syntax, [104](#)
 NIGBT device model, [49](#)
 NJF device model, [49](#)
 NMOS device model, [49](#)
 NOBIAS (.OPTIONS), [57](#)
 NODE (.OPTIONS), [57](#), [312](#)
 .NODESET, [44](#), [53](#), [76](#)
 nodeset, [28](#), [44](#), [53](#), [77](#), [355](#)
 NOECHO (.OPTIONS), [57](#)
 .NOISE, [54](#)
 noise
 analysis, [54](#)
 bipolar transistor, [213](#)
 diode, [133](#)
 flicker, [124](#), [133](#), [157](#), [201](#), [213](#)
 JFET, [157](#)

MOSFET, [201](#)
 shot, [124](#), [157](#), [201](#), [213](#)
 thermal, [124](#), [133](#), [157](#), [201](#), [213](#), [234](#)
 NOM.LIB, [43](#)
 nominal temperature, [87](#), [115](#), [128](#), [132](#), [154](#), [171](#),
[197](#), [208](#), [217](#)
 NOMOD (.OPTIONS), [58](#)
 nonlinear controlled sources, [56](#)
 NOOUTMSG (.OPTIONS), [58](#)
 NOPAGE (.OPTIONS), [58](#)
 NOPRBMSG (.OPTIONS), [58](#)
 no-print value, [90](#)
 NOR, [262](#)
 NOR3, [265](#)
 NOREUSE (.OPTIONS), [58](#)
 NOREUSE flag, [58](#), [77](#), [355](#)
 NOSUBCKT, [75](#), [356](#)
 NPN bipolar transistor, [49](#)
 number of times to repeat (n), [318](#)
 NUMDGT (.OPTIONS), [60](#), [66](#), [356](#)
 numeric expression convention, [xvii](#)
 NXOR, [262](#)
 NXOR3, [265](#)

O

O device, [334](#)
 OA, [262](#)
 object, [351](#), [356](#)
 OCT radix functions, [323](#)
 OMITTED, [345](#)
 .OP, [56](#)
 operator, [88](#), [356](#)
 .OPTIONS, [57](#), [59](#)
 ABSTOL, [59](#)
 CHGTOL, [59](#)
 CPTIME, [59](#)
 DEFAD, [59](#)
 DEFAS, [59](#)
 DEFL, [59](#)
 DEFW, [59](#)
 DIGDRVF, [59](#)
 DIGDRVZ, [59](#)
 DIGERRDEFAULT, [314](#)
 DIGERRLIMIT, [314](#)
 DIGFREQ, [59](#)
 DIGINITSTATE, [59](#)

DIGIOLVL, [59](#)
 DIGMNTYMX, [59](#)
 DIGMNTYSCALE, [258](#)
 DIGOVRDRV, [59](#)
 DIGTYMXSCALE, [59](#)
 DISTRIBUTION, [58](#)
 EXPAND, [44](#)
 GMIN, [59](#)
 ITL1, [59](#)
 ITL2, [59](#)
 ITL4, [59](#)
 ITL5, [59](#)
 LIBRARY, [57](#)
 LIMPTS, [60](#)
 LIST, [57](#)
 NOBIAS, [57](#)
 NODE, [57](#)
 NOECHO, [57](#)
 NOMOD, [58](#)
 NOOUTMSG, [58](#)
 NOPAGE, [58](#)
 NOPRBMSG, [58](#)
 NOREUSE, [58](#)
 NUMDGT, [66](#)
 OPTS, [58](#)
 PIVREL, [60](#)
 PIVTOL, [60](#)
 RELTOL, [60](#)
 STEPGMIN, [58](#)
 TNOM, [60](#)
 VNTOL, [60](#)
 WIDTH, [66](#)
 ACCT, [57](#)
 options, [xxiii](#), [57](#)
 options not available in PSpice, [101](#)
 MAXORD, [101](#)
 OPTS (.OPTIONS), [58](#)
 OR, [262](#)
 OR3, [265](#)
 OUTPUT ALL, [45](#), [95](#), [96](#), [356](#)
 output file, [xxiv](#)
 and flag options, [57](#)
 resistances, [89](#)
 output files
 digital simulation results, [92](#)
 output variables
 DC sweep, [68](#)

transient analysis, [68](#)

P

package, [356](#)

page options for simulation output, [58](#)

page, definition, [356](#)

.PARAM, [63](#)

parameter, [356](#)

adding with the device equations option, [344](#)

definition, [63](#)

global, [110](#), [128](#), [131](#), [354](#)

name change using the device equations option, [344](#)

value calculation using the device equations options, [345](#)

parametric analysis, [79](#)

PARAMS, [84](#)

subcircuits, [235](#)

part, [356](#)

definition, [356](#)

instance, [356](#)

path definition, [302](#)

PBTG, [267](#)

P-channel, [49](#)

JFET, [49](#)

MOSFET, [49](#)

peak amplitude, [148](#), [149](#)

phase, [73](#)

phase (P), [xvii](#)

piecewise linear, [35](#)

pin, [214](#), [297](#), [339](#), [356](#)

pin current, [356](#)

pin names equivalent to node names, [31](#)

pins

and capacitor node polarity, [126](#)

and inductor node polarity, [168](#)

as external interface points of networks, [38](#)

subcircuit nodes, [84](#)

voltage out of range, [61](#)

pin-to-pin delay (PINDLY), [300](#), [301](#), [302](#), [309](#)

PIVREL (.OPTIONS), [60](#)

PIVTOL (.OPTIONS), [60](#)

PJF device model, [49](#)

PLAND, [282](#)

PLD, [86](#), [88](#), [281](#)

overview, [281](#)

PLNAND, [282](#)

PLNOR, [282](#)

PLNXOR, [282](#)

PLOR, [282](#)

.PLOT, [64](#)

plot, [64](#)

PLXOR, [282](#)

PMOS device model, [49](#)

PNP device model, [49](#)

POLY, [356](#)

polynomial transfer function (for ABM controlled sources), [136](#)

ports, [356](#)

global, [354](#)

power (PWR), [xviii](#), [xix](#)

.prb file, [xxv](#)

primitives, [252](#), [253](#), [301](#)

.PRINT, [66](#)

print, [66](#)

step value, [90](#), [140](#)

tables, [66](#)

Probe, [67](#)

data files, [56](#)

output files, [37](#)

.PROBE, [67](#)

Probe command line options

-c, [xxiv](#)

-p, [xxv](#)

programmable logic array PLD, [340](#)

data values, [283](#)

overview, [281](#)

PLAND, [282](#)

PLANDC, [282](#)

PLNAND, [282](#)

PLNANDC, [282](#)

PLNOR, [282](#)

PLNORC, [282](#)

PLNXOR, [282](#)

PLNXORC, [282](#)

PLOR, [282](#)

PLORC, [282](#)

PLXOR, [282](#)

PLXORC, [282](#)

syntax, [282](#)

timing model, [284](#)

types, [254](#), [282](#)

propagation delay, [258](#)

PSpice

log file, [xxiv](#)

PSpice command line options

-d, [xxiv](#)

-l, [xxiv](#)

-o, [xxiv](#)

PSpice messages

hazard and timing violations, [61](#)

Persistent Hazards, [38](#)

PSPICE.MAK, [351](#)

PULLDN, [279](#)

PULLUP, [279](#)

pullup and pulldown resistors, [254](#), [279](#)

Q

QBAR, [67](#)

quadratic temperature coefficient (TC2), [216](#)

quasi-saturation effect (BJT), [211](#)

R

R device, [214](#)

R_I, [135](#)

RAD, [135](#)

RAM, [289](#)

random access memory

timing model, [290](#)

read only memory, [285](#)

timing model, [288](#)

real function (R), [xviii](#)

real part, [73](#)

recompiling and linking, [351](#)

reference functions, [304](#)

CHANGED, [304](#)

CHANGED_HI, [304](#)

CHANGED_LH, [304](#)

relative accuracy, [60](#)

RELEASETIME, [311](#)

RELTOL (.OPTIONS), [60](#)

REPEAT, [147](#), [319](#)

ENDREPEAT, [147](#)

FOREVER, [147](#)

RES device model, [49](#)

resistance multiplier, [216](#)

resistor, [49](#), [103](#), [106](#), [214](#)

model definition, [214](#)

pullup and pulldown, [279](#)

RMS, [54](#)

roll-off

current, [205](#)

ROM, [285](#)

run, [135](#), [218](#), [356](#)

Probe commands, [xxi](#)

S

S device, [218](#)

save

bias point to file, [75](#)

.SAVEBIAS, [44](#), [75](#)

scale factor, [59](#)

SCBE, [179](#), [188](#), [356](#)

schematic, [356](#)

Schmitt trigger, [328](#)

Sdt(x) integral function, [xviii](#)

semiconductor models, [102](#)

semiconductor parts, [130](#), [175](#)

.SENS, [78](#)

sensitivity

analysis, [78](#)

worst-case analysis, [95](#)

setpoint, [356](#)

setting initial conditions, [41](#)

SETUP_HOLD

constraint check, [310](#)

SETUPTIME, [311](#)

SGN(X) signum function, [xviii](#)

shot noise, [124](#), [157](#), [201](#), [213](#)

shunt conductance, [63](#)

SIGNAME, [326](#), [333](#)

signed power (PWRS), [xviii](#)

SIMLIBPATH, [357](#)

simulation, [135](#), [224](#), [357](#)

lossy transmission lines, [224](#)

transmission line, [222](#)

simulation command line options

-bf, [xxiv](#)

-bn, [xxiv](#)

-bs, [xxiv](#)

-e, [xxiv](#)

-i, [xxiv](#)

-wONLY, [xxiv](#)

SIN(x) function, [xviii](#)

- sine (SIN), [xviii](#)
- skip bias point, SKIPBP, [90](#)
- skipbp, [58](#), [90](#), [357](#)
- small-signal, [56](#)
 - bias point, [41](#)
 - DC gain, [89](#)
- small-signal distortion analysis, [101](#)
- source, [70](#)
- SPICE2 options, [101](#)
- SPICE2G, [346](#)
 - PSpice differences, [101](#)
- square root (SQRT), [xviii](#)
- SRFF, [276](#)
- standard gates, [49](#), [253](#), [261](#), [262](#)
 - AND, [262](#)
 - ANDA, [262](#)
 - AO, [262](#)
 - AOI, [262](#)
 - BUF
 - BUFA, [262](#)
 - INV, [262](#)
 - INVA, [262](#)
 - NAND, [262](#)
 - NANDA, [262](#)
 - NOR, [262](#)
 - NORA, [262](#)
 - NXOR, [262](#)
 - NXORA, [262](#)
 - OA, [262](#)
 - OAI, [262](#)
 - OR, [262](#)
 - ORA, [262](#)
 - XOR, [262](#)
 - XORA, [262](#)
- statement, [63](#), [77](#), [135](#), [159](#), [172](#), [357](#)
- Statz model, [108](#), [122](#), [357](#)
- .STEP, [79](#)
 - usage examples, [81](#)
- step ceiling value, [90](#)
- step function (STP), [xviii](#)
- STEPGMIN (.OPTIONS), [58](#)
- stepping a resistor, [81](#)
- STIM, [317](#)
- .STIMLIB, [82](#)
- .STIMULUS, [83](#)
- stimulus definition, [83](#)
- stimulus devices, [252](#), [316](#)
 - examples, [319](#)
 - file stimulus, [323](#)
 - stimulus generator, [317](#)
- stimulus library files, [82](#)
- STP(x), [xviii](#)
- struct m_, [346](#)
- subcircuit, [103](#), [105](#), [106](#), [224](#), [357](#)
 - definition, [84](#)
 - device declarations
 - instantiation, [84](#), [235](#)
 - intrinsic device types
 - library, [43](#)
 - usage examples, [86](#)
- .SUBCKT, [84](#)
 - usage examples, [86](#)
- substrate, [70](#)
- sweep variable, [46](#), [76](#)
 - DC analysis, [34](#)
- switch
 - current-controlled, [103](#), [105](#)
 - voltage-controlled, [103](#), [107](#)
- switches, ideal, [219](#), [232](#)
- SXNAME, [336](#)
- symbol, [357](#)
- symbols
 - ideal switches, [219](#), [232](#)
 - BBREAK (GaAsFET), [109](#)
 - C (capacitor), [127](#)
 - C_VAR (capacitor), [127](#)
 - CBREAK (capacitor), [127](#)
 - DBREAKx (diodes), [130](#)
 - E (ABM controlled analog source), [136](#)
 - EPOLY (ABM controlled analog source), [136](#)
 - F (ABM controlled analog source), [136](#)
 - FPOLY (ABM controlled analog source), [136](#)
 - G (ABM controlled analog source), [136](#)
 - GPOLY (ABM controlled analog source), [136](#)
 - H (ABM controlled analog source), [136](#)
 - HPOLY (ABM controlled analog source), [136](#)
 - JBREAKx (JFET), [152](#)
 - K_LINEAR (transformer), [161](#), [169](#)
 - KBREAK (inductor coupling), [161](#)
 - KCOUPLen (transmission line coupling matrix), [226](#)
 - L (inductor), [169](#)
 - LBREAK (inductor), [170](#)
 - MBREAKx (MOSFET), [175](#)

QBREAKx (bipolar transistor), [204](#)
 R (resistor), [215](#)
 R_VAR (resistor), [215](#)
 RBREAK (resistor), [215](#)
 SBREAK (voltage-controlled switch), [219](#)
 T (transmission line), [225](#)
 TLOSSY (transmission line), [225](#)
 TnCOUPLED (transmission line), [226](#)
 TnCOUPLEDX (transmission line), [226](#)
 WBREAK (current-controlled switch), [232](#)
 XFRM_LINEAR (transformer), [161](#), [169](#)
 XFRM_NONLINEAR (nonlinear transformer),
[161](#)
 ZBREAKN (IGBT), [237](#)
 syntax, [xv](#), [50](#), [83](#), [357](#)

T

T device, [222](#)
 T_ABS (.MODEL), [51](#)
 T_MEASURED (.MODEL), [51](#)
 T_REL_GLOBAL (.MODEL), [51](#)
 T_REL_LOCAL (.MODEL), [51](#)
 table (TABLE), [xviii](#)
 tangent (TAN), [xviii](#)
 tangent hyperbolic (TANH), [xviii](#)
 TC, [216](#)
 1 (linear temperature coefficient), [216](#)
 2 (quadratic temperature coefficient), [216](#)
 E (exponential temperature coefficient), [216](#)
 .TEMP, [87](#)
 temperature, [63](#), [87](#)
 customization, [51](#)
 temperature customizing, [51](#)
 TEXT
 subcircuit, [235](#)
 .TEXT, [88](#)
 text expressions, [88](#)
 text parameter definition, [88](#)
 TEXTINT, [88](#), [357](#)
 .TF, [89](#)
 thermal noise, [124](#), [133](#), [157](#), [201](#), [213](#), [234](#)
 thermal voltage, [63](#)
 tick number, [332](#), [357](#)
 TIMESCALE, [323](#), [337](#)
 TIMESTEP, [318](#), [320](#), [332](#), [336](#)
 timing constraint, [259](#)

timing hazards
 convergence, [61](#)
 cumulative ambiguity, [61](#)
 timing model, [257](#)
 delay line, [280](#)
 gated latch, [276](#)
 general discussion, [258](#)
 multi-bit A/D converter, [293](#)
 multi-bit D/A converter, [295](#)
 programmable logic array, [284](#)
 random access memory, [290](#)
 read only memory, [288](#)
 TNOM (.OPTIONS), [60](#)
 tolerances, [50](#), [97](#)
 DEV, [50](#)
 distribution name, [50](#)
 GAUSS, [50](#)
 LOT, [50](#)
 specification, [50](#)
 UNIFORM, [50](#)
 user-defined, [50](#)
 TOM model, [108](#), [357](#)
 topology, [77](#), [348](#)
 .TRAN, [90](#)
 transfer function, [89](#)
 transformer, [49](#)
 transient analysis, [39](#), [90](#)
 final time value
 internal time step, [91](#)
 no-print value, [90](#)
 print step value, [90](#)
 SKIPBP, [90](#)
 step ceiling value, [90](#)
 transient bias point, [41](#)
 transistor, bipolar, [203](#)
 transition functions, [305](#)
 TRN_\$H, [305](#)
 TRN_\$L, [305](#)
 TRN_HS, [305](#)
 TRN_HL, [305](#)
 TRN_HZ, [305](#)
 TRN_LS, [305](#)
 TRN_LH, [305](#)
 TRN_LZ, [305](#)
 TRN_ZS, [305](#)
 TRN_ZH, [305](#)
 TRN_ZL, [305](#)

transitions

file, [323](#)

transmission line

ideal line, [223](#)

illustration, [223](#), [224](#)

lossy line, [224](#)

transmission line coupling, [103](#), [107](#), [158](#), [165](#), [222](#)

transmission line device, [222](#)

transmission lines

coupled, [227](#)

ideal, [225](#)

lossy, [225](#)

simulating, [227](#)

TRISTATE, [302](#), [307](#)

tri-state gates, [49](#), [254](#), [264](#), [265](#)

AND3, [265](#)

AND3A, [265](#)

BUF3, [265](#)

BUF3A, [265](#)

INV3, [265](#)

INV3A, [265](#)

NAND3, [265](#)

NAND3A, [265](#)

NOR3, [265](#)

NOR3A, [265](#)

NXOR3, [265](#)

NXOR3A, [265](#)

OR3, [265](#)

OR3A, [265](#)

XOR3, [265](#)

XOR3A, [265](#)

TRN device model, [49](#)

TSTEP, [140](#)

TSTOP, [140](#)

typographical conventions, [xiv](#)

U

U.C. Berkeley, [343](#)

address, [202](#), [345](#)

UADC device model, [49](#), [293](#)

UBTG, [267](#)

UDAC device model, [49](#), [295](#)

UDLY device model, [49](#), [280](#)

UEFF device model, [49](#), [271](#)

UGATE, [299](#)

UGATE device model, [49](#), [261](#), [298](#)

UGFF device model, [49](#), [276](#)

UIO device model, [49](#), [328](#)

UPLD, [281](#)

URAM, [289](#)

UROM, [285](#)

user-defined distribution, [35](#)

UTGATE device model, [49](#), [264](#)

V

VARY BOTH, [96](#), [357](#)

VARY DEV, [95](#), [357](#)

VARY LOT, [96](#), [357](#)

.VECTOR, [92](#)

VIEWsim A/D, [333](#)

VNTOL (.OPTIONS), [60](#)

Voltage Source

PWL Parameters, [146](#)

voltage-controlled

current source, [103](#), [105](#), [134](#)

switch, [49](#), [103](#), [107](#), [218](#)

voltage source, [103](#), [105](#), [134](#)

VSWITCH device model, [49](#)

VTO temperature, [357](#)

W

W device, [231](#)

.WATCH, [94](#)

watch analysis results, [94](#)

.WCASE, [95](#)

WHEN, [314](#)

.WIDTH, [101](#)

IN= option, [101](#)

WIDTH (.OPTIONS), [60](#), [66](#), [98](#)

WIDTH (constraint check), [312](#)

wildcard characters, [xxiii](#)

window menu, [357](#)

Windows, [xiv](#), [61](#)

worst-case analysis, [35](#), [76](#), [95](#)

X

X devices, [84](#)

XOR, [262](#)

XOR3, [265](#)



Z

zero impedance voltage source, DAC, [295](#)

A B C D E F G H I J K L M N O P Q R S T U V W X Y Z